

Mendota 30"-36"-48" Portable Lifeguard Chair



Owner's Manual Assembly and Installation



7100 Spectrum Lane
Missoula, Montana 59808
406.542.9781 ~ Fax: 406.542.1158

Mendota 36" Assembly:

Tools Required:

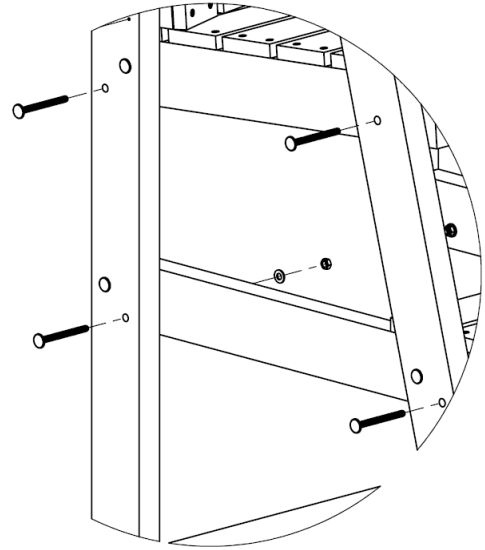
Quad Head Bit
1/2" Open End Wrench
1/2" Socket and Ratchet
Mallet

- 1) Assemble Main frame together as shown on one side in Detail A, *making sure to leave hardware loose*, using:

8 - 5/16" x 3 1/2" Carriage bolts
8 - 5/16" Lock Washers
8 - 5/16" Hex Nut

*Note: Set up the chair on a flat surface, this will make installation of hardware much simpler.

*Note: Set the heads of the carriage bolts into the HDPE lumber with the mallet before tightening; do not over tighten the hex nuts.

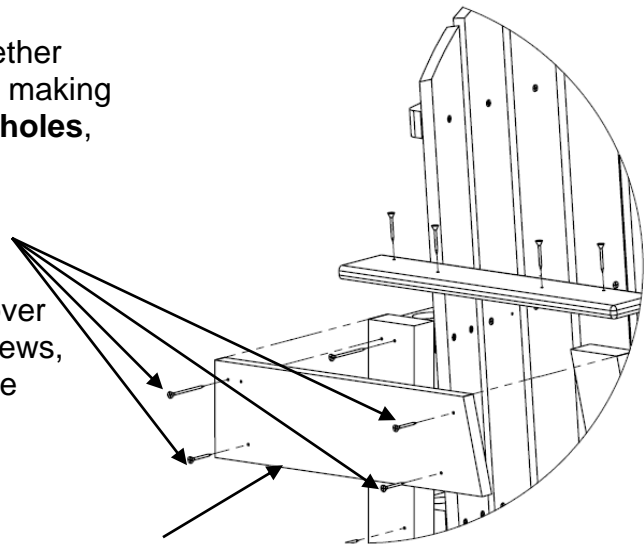


DETAIL A

- 2) As Shown in Detail B Screw together the armrest stiffener (both sides) making sure to **screw into the existing holes**, using:

8 - 1 1/2" Quad Head Screws.

*Note: It is important not to over tighten the stainless steel screws, this leaves a depression in the surface where water and contaminants can build up.

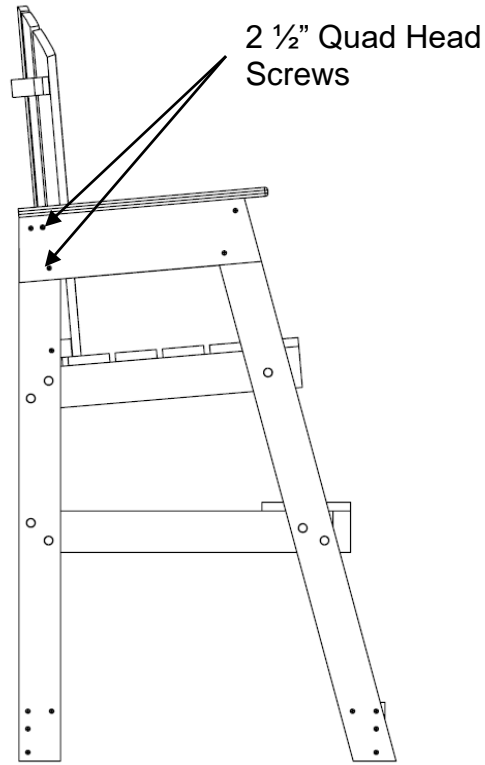


Armrest Stiffener

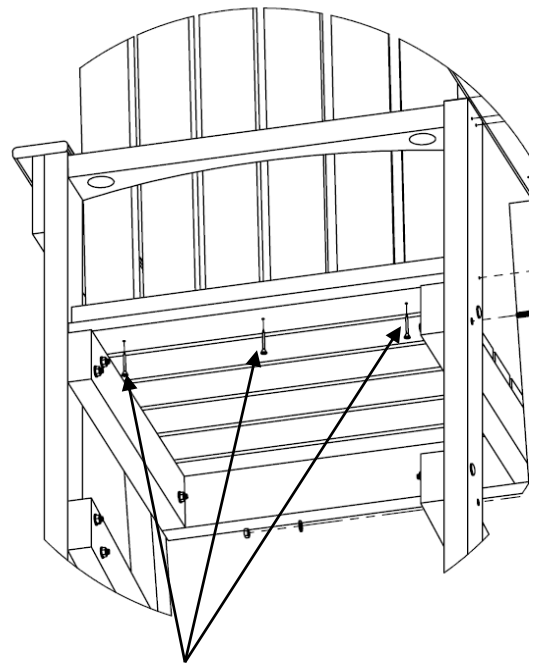
DETAIL B

- 3) Tighten all hardware from step 1
- 4) As shown in Detail C, attach seat back to seat bottom (please use existing holes) using:

3 –1 ½” Quad Head Screws



DETAIL D



1 ½” Quad Head Screws

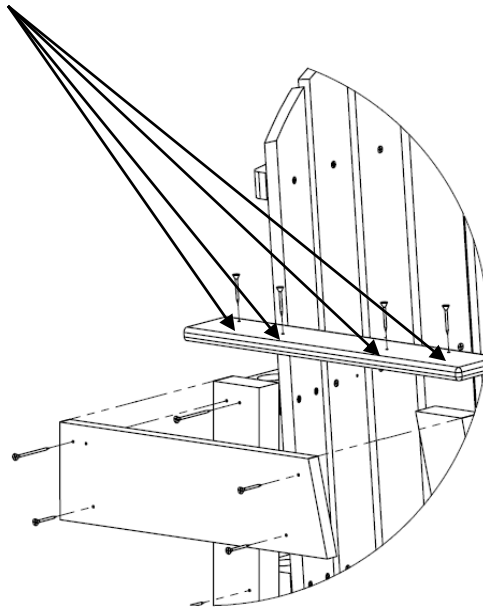
DETAIL C

- 5) Attach the seat back as shown in Detail D making sure to screw into existing holes, using:

4 –2 ½” Quad Head Screws

6) Then attach armrest as shown in Detail E using:

4 - 1 1/2" Quad Head Screws



DETAIL E

7) Attach wheels as shown if applicable using;

2 - BOLT CB 5/16"-18x3 1/2" TYPE 316

4 - FLAT WASHER 5/16"

2 - 5/16" NYLOCK NUT

