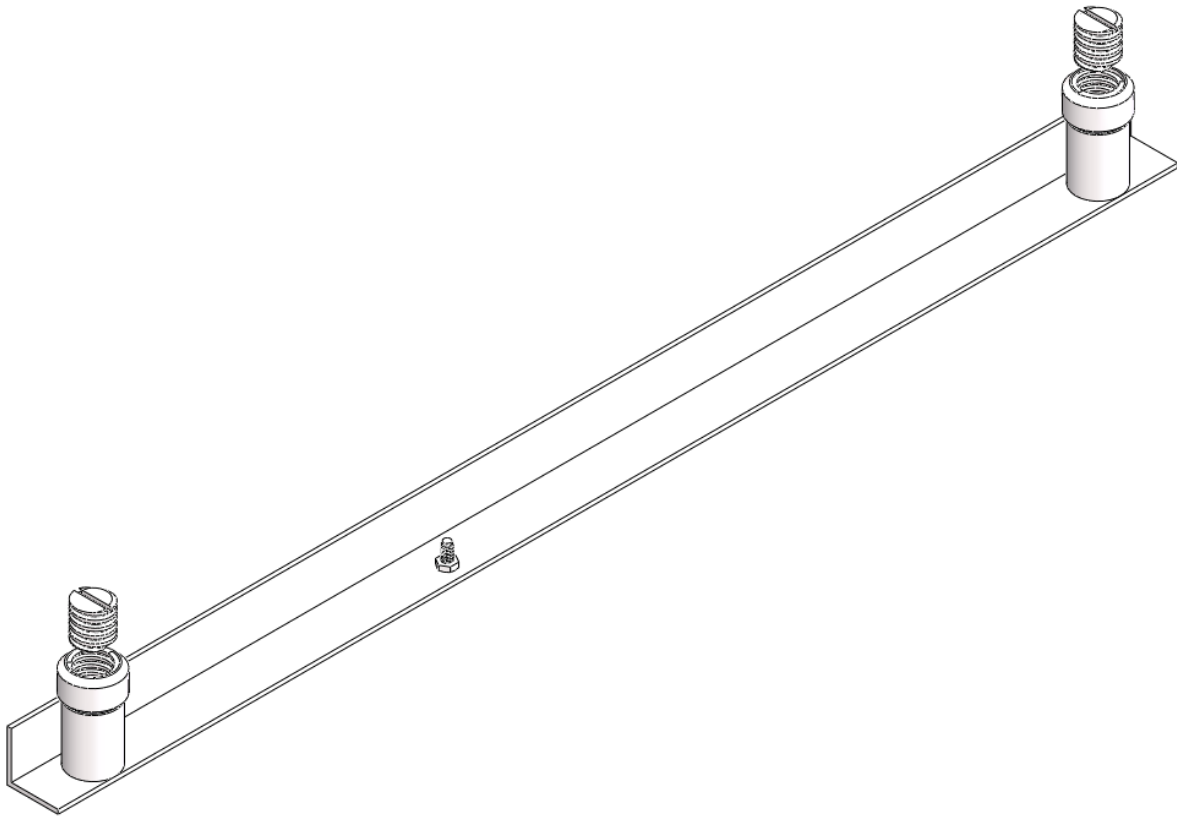


Lolo Gallatin Preset Anchor Installation

Part Number 27450



7100 Spectrum Lane ~ Missoula MT 59808
800.791.8056 ~ www.spectrumproducts.com

The Swim-Lift® Gallatin and Lolo have been designed to fit on a variety of gutter/pool/spa wall configurations. The Lolo lift will accommodate swimming pool “only” installations, while the Gallatin will accommodate swimming pool and/or spa installations.

It is recommended that a licensed contractor install the lift anchor assembly.

Installation Location

To install the new construction anchor assembly, select a location that will allow the user space to access the lift. Be aware, specific codes and regulations dictate the required access deck space. The 2004 ADA – ABA Accessibility Guidelines, subsection 1009.2.3 Clear Deck Space, stipulates: “On the side of the seat opposite the water, a clear deck space shall be provided parallel with the seat. The space shall be 36-inches (0.91m) wide minimum and shall extend forward 48-inches (1.22m) minimum from a line located 12-inches (0.3048m) behind the rear edge of the seat. The clear deck space shall have a slope not steeper than 1:48.”

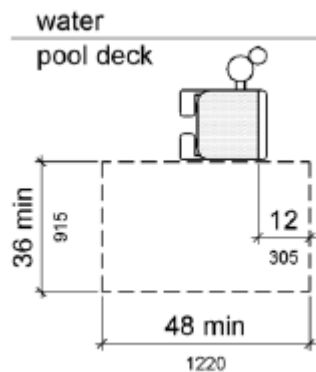


Figure 1009.2.3 Clear Deck Space at Pool Lifts

The water depth required for the installation of the Swim-Lift® Gallatin and Lolo is 38-inches (0.97m), minimum. This dimension is in compliance with the 2004 ADA – ABA Accessibility Guidelines, subsection 1009.2.8 Submerged Depth, which stipulates: The lift shall be designed so that the seat will submerge to a water depth of 18-inches (0.46m) minimum below the stationary water level.” The 38-inches (0.97m) minimum dimension accommodates the seat and footrest.

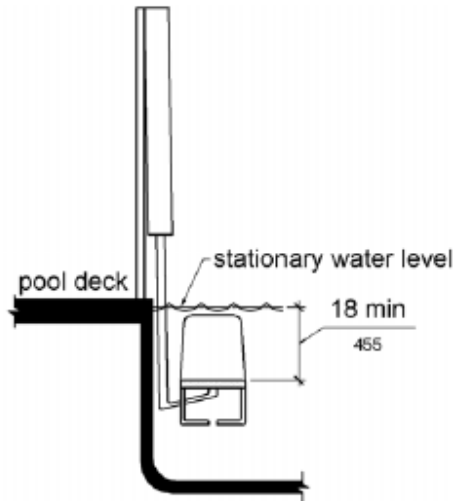


Figure 1009.2.8 Pool Lift Submerged Depth

The Gallatin is design to accommodate installation on spas. Spas normally have a bench that may interfere with the installation of a Lolo. The Gallatin will accommodate the majority of spa installations; except the case where the spa bench will not allow the seat to travel 18” under the surface of the water. This will not be a problem if the spa bench is at least 23” down from the static water level.

Installation Procedure

Gallatin

The setback distance (Figure 1), or distance from the finished pool wall, to the centerline of the Gallatin anchor assembly can be between 20 ½-inches (0.52m) and 30-inches (0.76m). The recommended setback distance is 24-inches (0.61m).

Lolo

The setback distance (Figure 1), or distance from the finished pool wall, to the centerline of the Lolo anchor assembly can be between 23-inches (0.58m) and 25-inches (0.64m). The recommended setback distance is 24-inches (0.61m).

Gallatin and Lolo

The individual anchors, attached to the anchor assembly, may not be placed within 6-inches (15.24cm) of any concrete joint.

Bond the anchor assembly to the pool/spa-bonding grid. Locate a bonding source to bond (ground) the anchor. The steel rebar-bonding grid of the pool/spa deck is the best choice for bonding the anchor. Attach a No. 8 solid copper wire (NEC Section 680-22) from the bonding bolt on the base of the anchor to the bonding grid.

Note: The National Electric Code requires that all stationary equipment must be properly bonded to the pool-bonding grid. Bonding to a common grid may promote a galvanic condition, enhancing the possibility for corrosion and discoloration of metallic materials. Be aware, corrosion of the least noble metal may occur.

Set the top of the individual anchors approximately 1/8-inch (3.18mm) below the finished deck surface, allowing for the installation of the anchor covers – used when the lift is not installed.

The anchor covers, protected with tape, may be used as a setting template for anchor height. This will provide a flush finished surface of the anchor cover to the finished deck or set the anchor so that the finished top is 1/8-inch (3.2mm) to 1/4-inch (6.35mm) below finished deck level – allowing anchor caps to be put in place when the lift is not in use. Secure anchor in place – proper height – anchor may be held in place with the use of hydraulic cement.

Use a carpenter's level to make the anchors are level in all directions.

Pour concrete deck – not allowing concrete to enter anchor openings. Finish deck.

Allow the concrete to cure for at least 7-days before installing and using the lift.

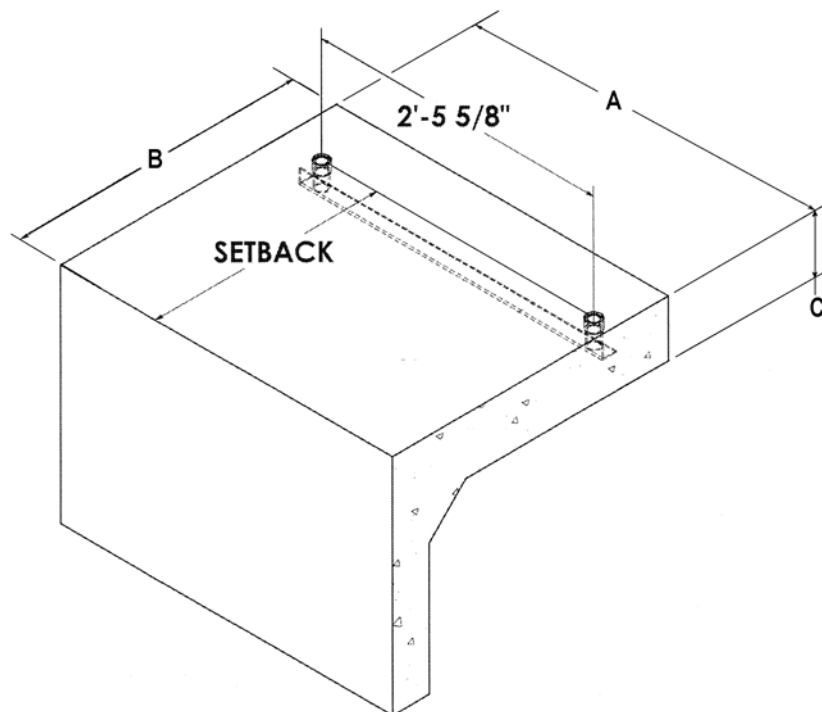


Figure 1

Note: Concrete mass required necessary to support the maximum loads indicated:

Lolo, 400-Pound Capacity (see Figure 1)

1. A - width 7-feet (2.13m), B - depth 4-feet (1.22m), C - thickness 4-inches (10.16cm)
2. A - width 5-feet (1.52m), B - depth 4-feet (1.22m), C - thickness 6-inches (15.24cm)

Gallatin, 400-Pound Capacity (see Figure 1)

1. A - width 10-feet (3.05m), B - depth 5-feet (1.52m), C - thickness 4-inches (10.16cm)
2. A - width 7-feet (2.13m), B - depth 4 1/2-feet (1.37m), C - thickness 6-inches (15.24cm)