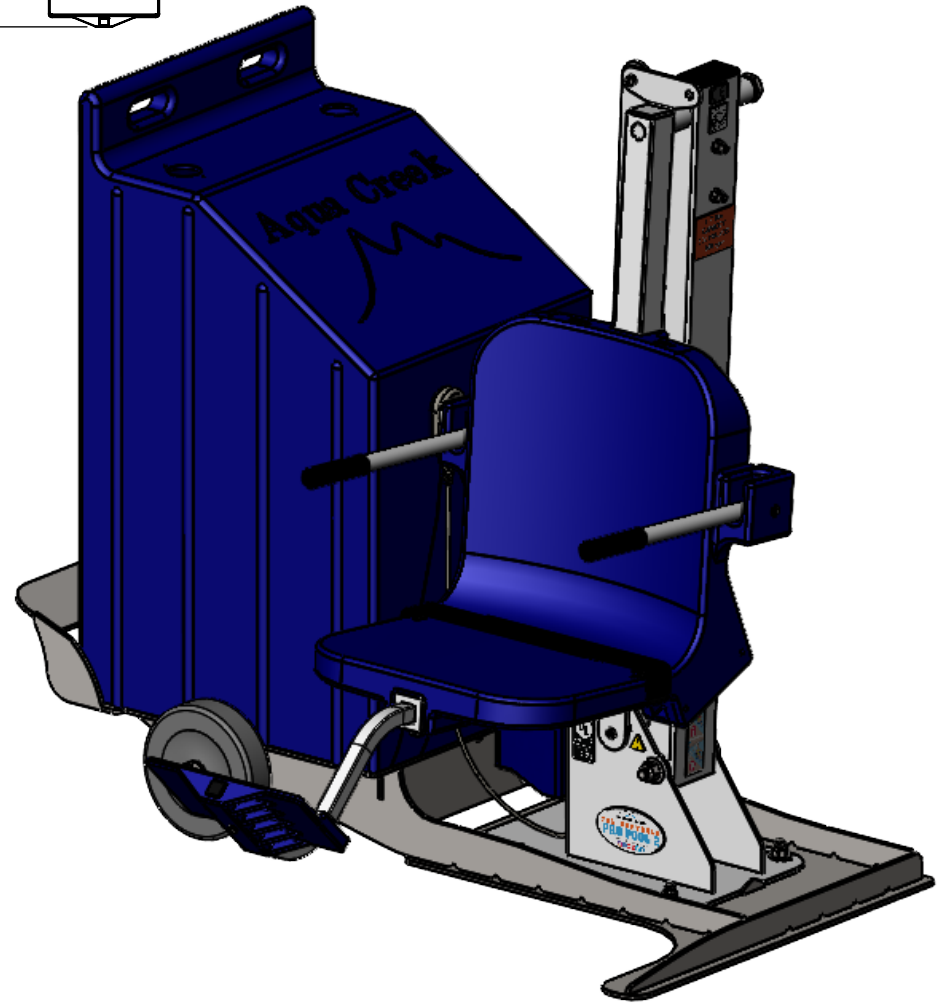
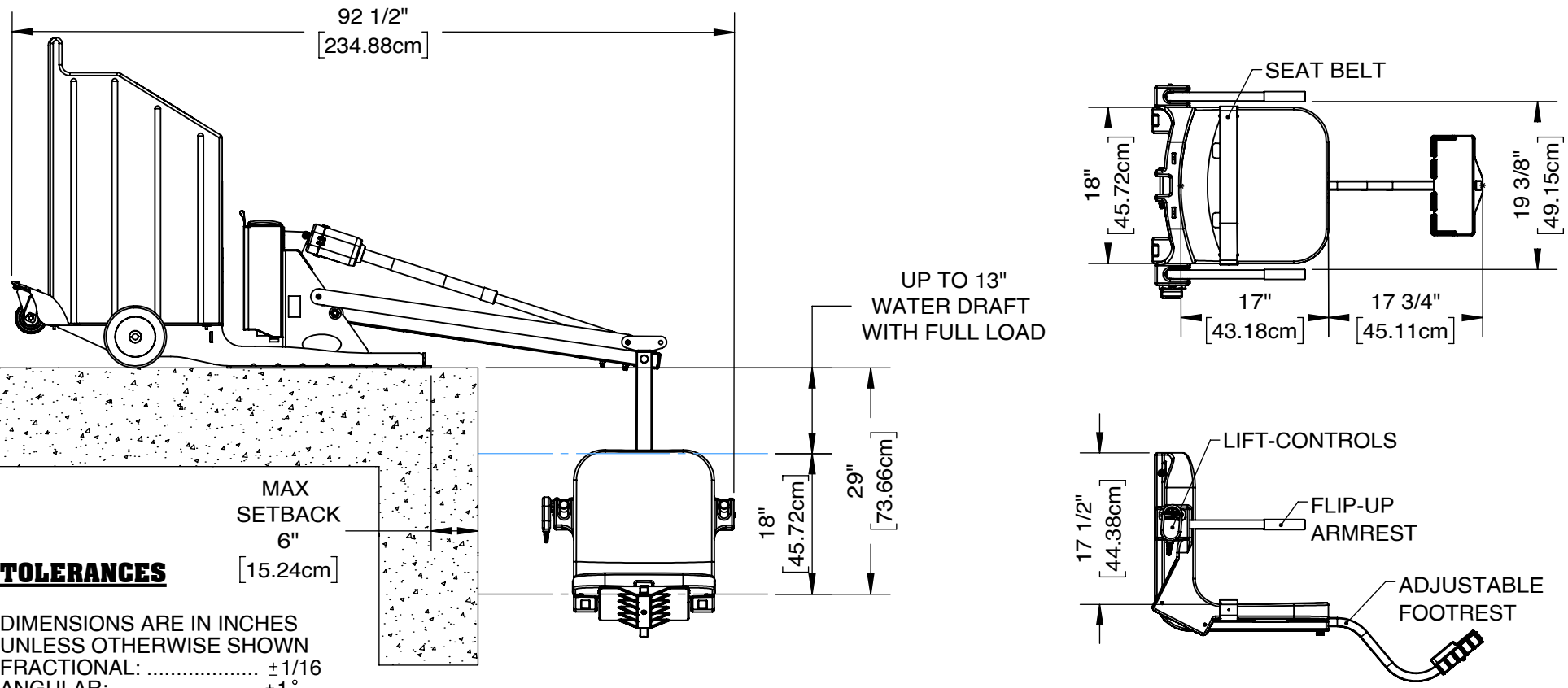


FEATURES

- ◆ 350 LB. (160 KG.) WEIGHT CAPACITY
- ◆ SETBACK UP TO 6" (15 cm)
- ◆ 13" WATER DRAFT
- ◆ FIELD REVERSIBLE
- ◆ FLIP UP ARMREST
- ◆ ALL STAINLESS STEEL CONSTRUCTION
- ◆ DURABLE POWDER COAT FINISH
- ◆ RECHARGEABLE BATTERY & WALL MOUNT CHARGER
- ◆ FIVE YEAR STRUCTURAL WARRANTY
- ◆ FIVE YEAR PRO-RATED ELECTRONICS WARRANTY

CLICK HERE TO VIEW THIS PRODUCT:
[HTTPS://AQUACREEKPRODUCTS.COM/](https://aquacreekproducts.com/)



TOLERANCES
DIMENSIONS ARE IN INCHES UNLESS OTHERWISE SHOWN
FRACTIONAL: ±1/16
ANGULAR: ±1°
TWO PLACE DECIMAL: ±.01
THREE PLACE DECIMAL: .. ±.005

BREAK & DEBURR ALL SHARP EDGES
MATERIAL: 304 STAINLESS STEEL
FINISH: POWDER COAT - WHITE
APPROX. WEIGHT: 252.1989 LBS.

PORTABLE PRO POOL 2

CATALOG NO. F-PPP2
PART NO. INV02506

MATERIAL: 304 STAINLESS STEEL
FINISH: POWDER COAT - WHITE
APPROX. WEIGHT: 252.1989 LBS.
APPROX. WEIGHT WITH BALLAST FILLED: 900 LBS.



9889 GARRYMORE LANE
MISSOULA, MT 59808
(406) 549-0769
FAX (406) 549-2602
www.AquaCreek.com
© 2021 AQUA CREEK PRODUCTS. ALL RIGHTS RESERVED.

PROPRIETARY AND CONFIDENTIAL INFORMATION
THIS DRAWING AND ALL INFORMATION CONTAINED HEREIN IS THE SOLE PROPERTY OF AQUA CREEK PRODUCTS LLC. ANY REPRODUCTION IN PART OR AS A WHOLE WITHOUT WRITTEN PERMISSION FROM AQUA CREEK IS PROHIBITED.
*SPECIFICATIONS ARE SUBJECT TO CHANGE WITHOUT NOTICE

REVISIONS			
REV.	DESCRIPTION	DATE	APPROVED
P1	INITIAL RELEASE	7/12/2023	L.WESTHOFF