

**USE THIS MANUAL FOR PART #'s:
F-MTY400 / F-MTY600 / F-SCTXL**

MANDATORY
LEAVE THIS MANUAL WITH OWNER

**Read and follow all instructions.
Lift safety can only be ensured if the lift is
installed and operated according to these
instructions.**

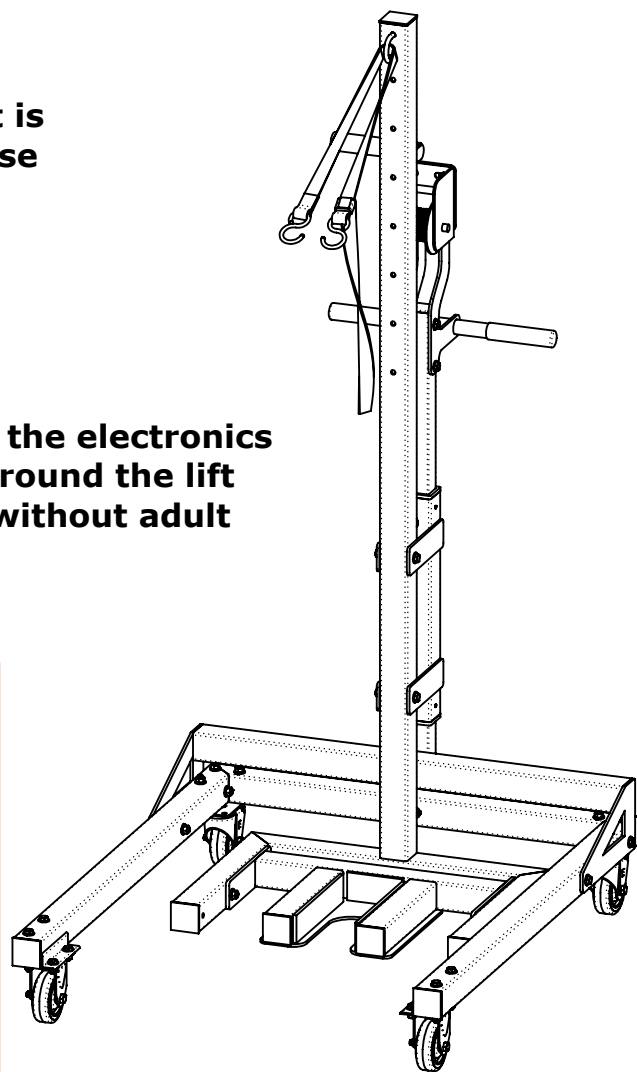
- **FOR SAFETY REASONS**
- **NEVER** swim alone
- **NEVER** use the lift with a dry pool
- **NEVER** apply direct water pressure to the electronics
- **NEVER** permit children to play on or around the lift
- **DO NOT** allow children to use the lift without adult supervision

READ CAREFULLY

Check entire box and all packing materials for parts. Before beginning assembly, read the instructions and identify parts using the figures and parts listed in this document.

It is critical that all parts be carefully inspected prior to installation. If any damage occurred in transit, Aqua Creek Products, LLC must be notified within three days of receipt of unit.

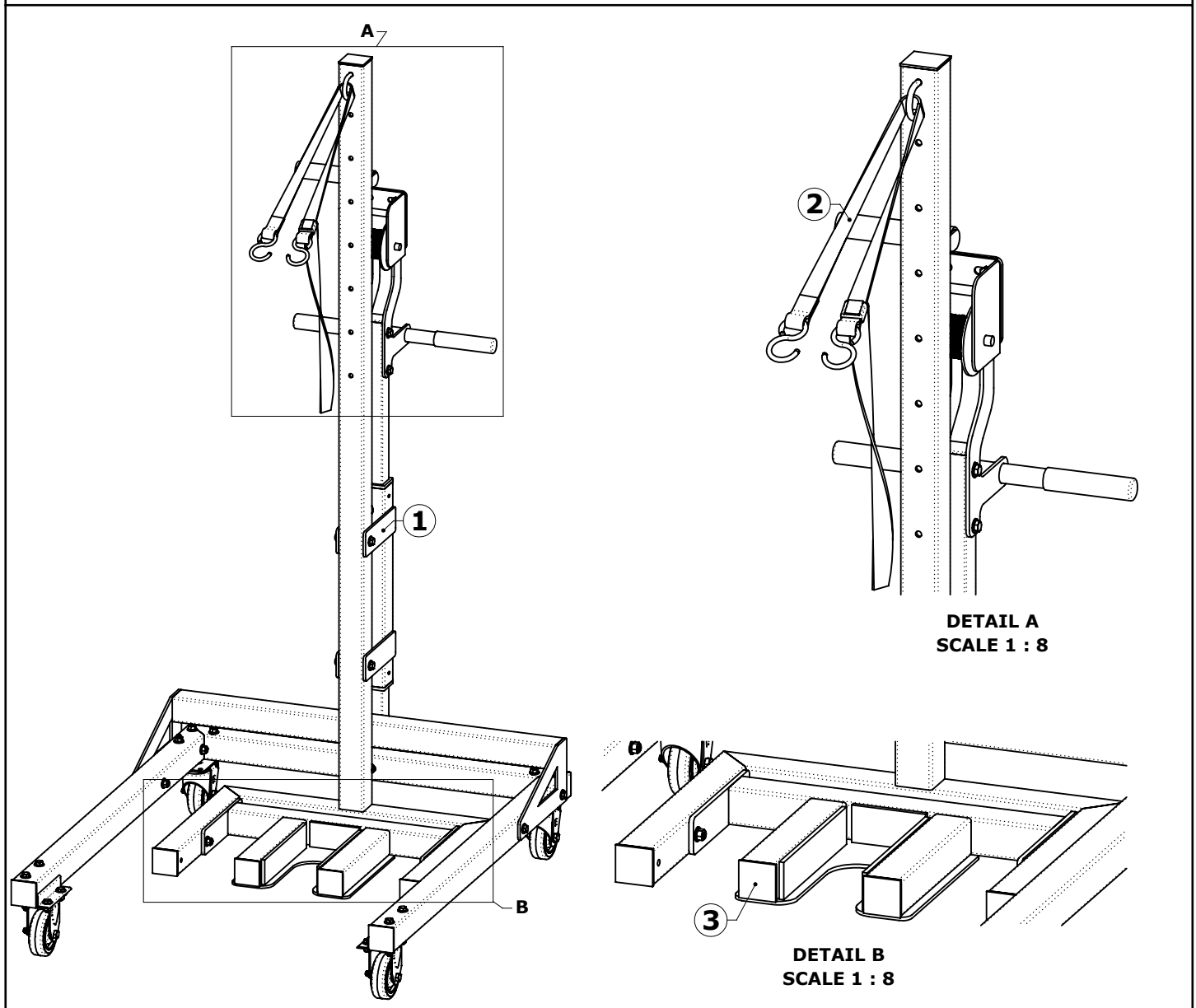
Proper installation cannot be overstressed, as an improper installation voids Aqua Creek's warranty and may affect the safety of the user.



Aqua Creek Products, LLC
9889 Garrymore Lane
Missoula, MT 59808
Toll Free: (888) 687-3552
Local/Intl: (406) 549-0769
www.aquacreek.com

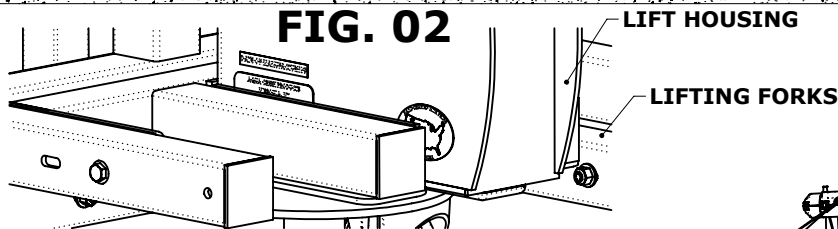
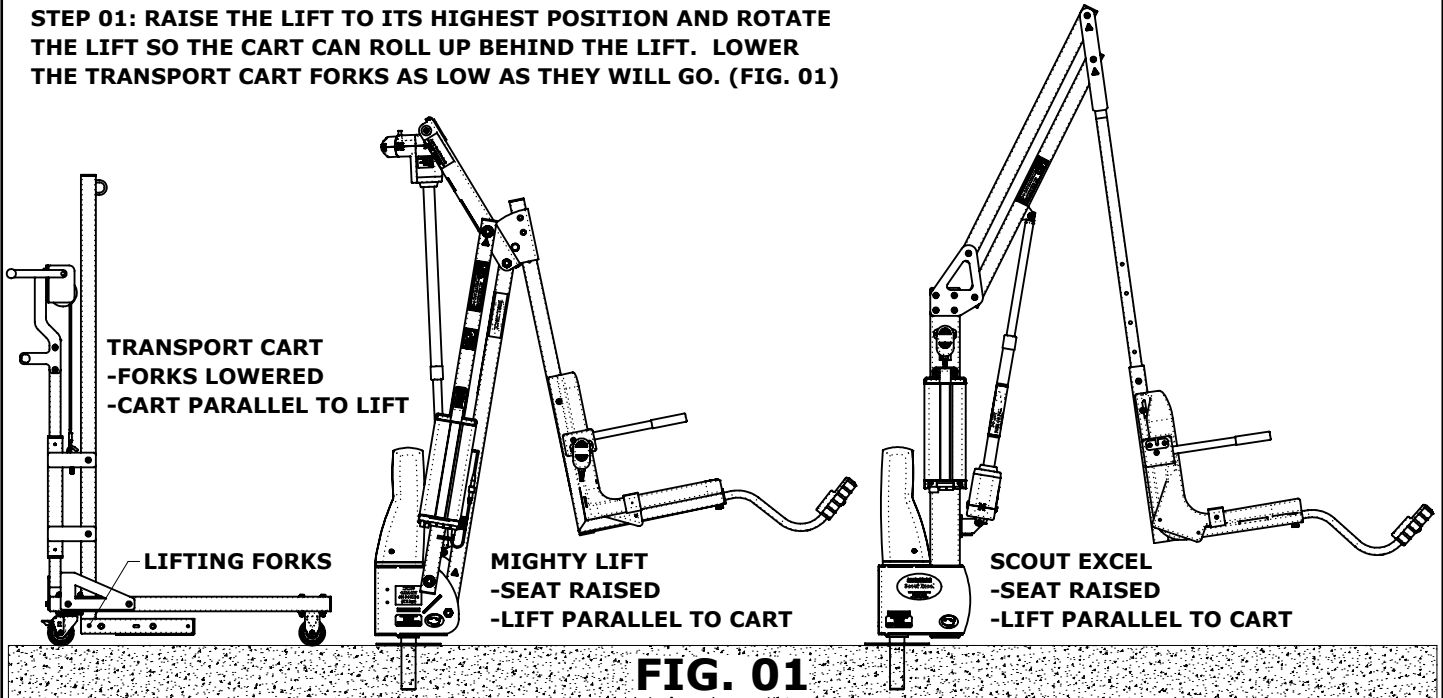
PAGE	DOCUMENTS	CART - COMPONENT PARTS				
		TRANSPORT CART - MTY'S & SCTXL - INV01902				
		ITEM	PART NO.	QTY.	REV.	DESCRIPTION
1	COVER SHEET					
2	TABLE OF CONTENTS	1	INV03066	1	P1	TRANSPORT CART
3	INSTRUCTIONS	2	INV01899	1	P1	LIFT SAFETY STRAP
4	WARRANTY	3	INV03096	1	P1	CART LIFTING PLATE

TRANSPORT CART - MTY'S & SCTXL - CATALOG NO. F-MTTC



NOTE: BEFORE USING THE TRANSPORT CART FOR THE FIRST TIME, READ THIS SECTION COMPLETELY AND FAMILIARIZE YOURSELF WITH THE FEATURES OF THE TRANSPORT CART.

STEP 01: RAISE THE LIFT TO ITS HIGHEST POSITION AND ROTATE THE LIFT SO THE CART CAN ROLL UP BEHIND THE LIFT. LOWER THE TRANSPORT CART FORKS AS LOW AS THEY WILL GO. (FIG. 01)



STEP 02: ROLL THE CART INTO POSITION UNTIL THE LIFTING FORKS ARE AROUND THE LIFT HOUSING. THERE SHOULD BE ABOUT A 1/2" SPACE BETWEEN THE BACK OF THE LIFT HOUSING AND THE CART. CONNECT THE STAP HOOKS THROUGH THE EARS OF THE LIFT (SCOUT EXCEL - FIG. 03) OR THE RUBBER GROMMETS (MIGHTY - FIG. 04). PULL THE STRAP UNTIL TIGHT.

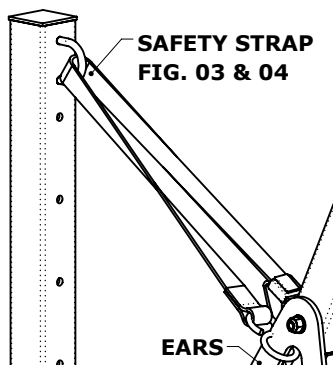


FIG. 03

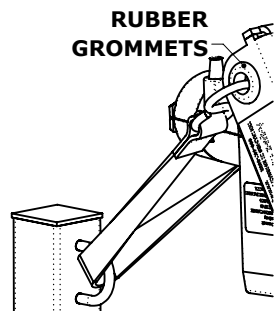


FIG. 04

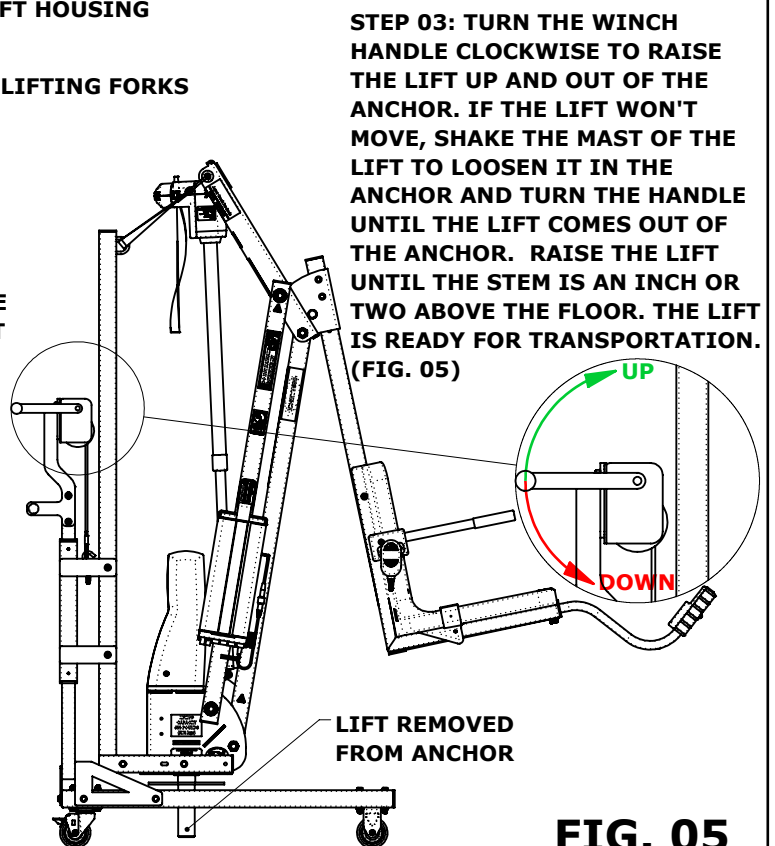


FIG. 05



Aqua Creek Products, LLC
9889 Garrymore Lane
Missoula, MT 59808
Toll Free: (888) 687-3552
Local/Intnl: (406) 549-0769
www.aquacreek.com

**LIMITED ONE (1)
YEAR WARRANTY:**

Aqua Creek Products, LLC (a.k.a. Aqua Creek) warrants to the original end user purchaser that products manufactured by Aqua Creek, when properly installed in accordance with assembly and installation instructions, and properly used and maintained, shall be free from defects in material and workmanship for a period of one (1) year from the date of original purchase, provided that Aqua Creek receives prompt notice in writing of any defect or failure and satisfactory proof thereof, with the following exception(s):

Exceptions:

- This warranty specifically excludes reimbursement for labor to remove, repair, or install the product and any freight charges.
- This warranty does not cover any damages due to accident, force, majeure, act of nature, misuse, abuse negligence or failure to properly maintain any products, or normal wear and tear from day to day operations.
- Powder coat finish scratches, scrapes, corrosion, or dents from customers normal use, negligence, or abuse.
- In the event that any products are altered, repaired, or improperly installed by anyone without the prior written approval by Aqua Creek, all warranties are void.

To initiate a warranty claim, the owner of an Aqua Creek product must provide the place of purchase, in writing, with a full description of the product, its serial number, the dates of purchase and installation, and the exact nature of the defect. Within thirty (30) days after receipt of a written warranty claim by Aqua Creek, and barring any unforeseen delays, the place of purchase will be notified of Aqua Creek's decision regarding the claim.

If requested by Aqua Creek, any defective product must be returned, freight prepaid by customer, to Aqua Creek's designated factory location or duly appointed distributor for inspection and/or repair. Aqua Creek will, at its option, repair or replace the failed or defective item, and deliver the repaired product or replacement to the customer. All freight charges are the responsibility of the customer. Products returned to Aqua Creek for which Aqua Creek provides replacement under this limited warranty shall become the property of Aqua Creek. A new warranty period shall NOT be established for the repaired or replaced products. Such products shall remain under warranty only for the remainder of the original warranty period on the original products purchased.

This written limited warranty constitutes the final, complete and exclusive statement of warranty terms. No person or organization is authorized to make any other specific or implied warranties or representations on behalf of Aqua Creek. THE WARRANTIES SET FORTH HEREIN ARE IN LIEU OF ALL OTHER WARRANTIES, EXPRESSED OR IMPLIED, WHICH ARE HEREBY DISCLAIMED AND EXCLUDED, INCLUDING WITHOUT LIMITATION ANY WARRANTY OF MERCHANTABILITY OR FITNESS FOR A PARTICULAR PURPOSE OR USE.

THE SOLE AND EXCLUSIVE REMEDIES FOR BREACH OF ANY AND ALL WARRANTIES WITH RESPECT TO THE PRODUCTS SHALL BE LIMITED TO REPAIR OR REPLACEMENT AT AQUA CREEK'S DESIGNATED FACTORY LOCATION, OR DULY APPOINTED DISTRIBUTOR, OR IN PLACE AT AQUA CREEK'S OPTION. IN NO EVENT SHALL AQUA CREEK'S LIABILITY EXCEED THE ENTIRE AMOUNT PAID TO AQUA CREEK BY THE ORIGINAL PURCHASER FOR THE FAILED OR DEFECTIVE PRODUCT. IN NO EVENT SHALL AQUA CREEK PRODUCTS, LLC BE LIABLE FOR ANY INCIDENTAL, CONSEQUENTIAL, SPECIAL, INDIRECT, PUNITIVE OR EXEMPLARY DAMAGES OR LOST PROFITS FROM ANY BREACH OF THIS LIMITED WARRANTY OR OTHERWISE.

THIS WARRANTY GIVES YOU SPECIFIC LEGAL RIGHTS AND YOU MAY ALSO HAVE OTHER RIGHTS, WHICH MAY VARY FROM STATE TO STATE. SOME STATES DO NOT ALLOW THE EXCLUSION OR LIMITATION OF INCIDENTAL, SPECIAL OR CONSEQUENTIAL DAMAGES, SO SOME OF THE ABOVE LIMITATIONS OR EXCLUSIONS MAY NOT APPLY TO YOU.