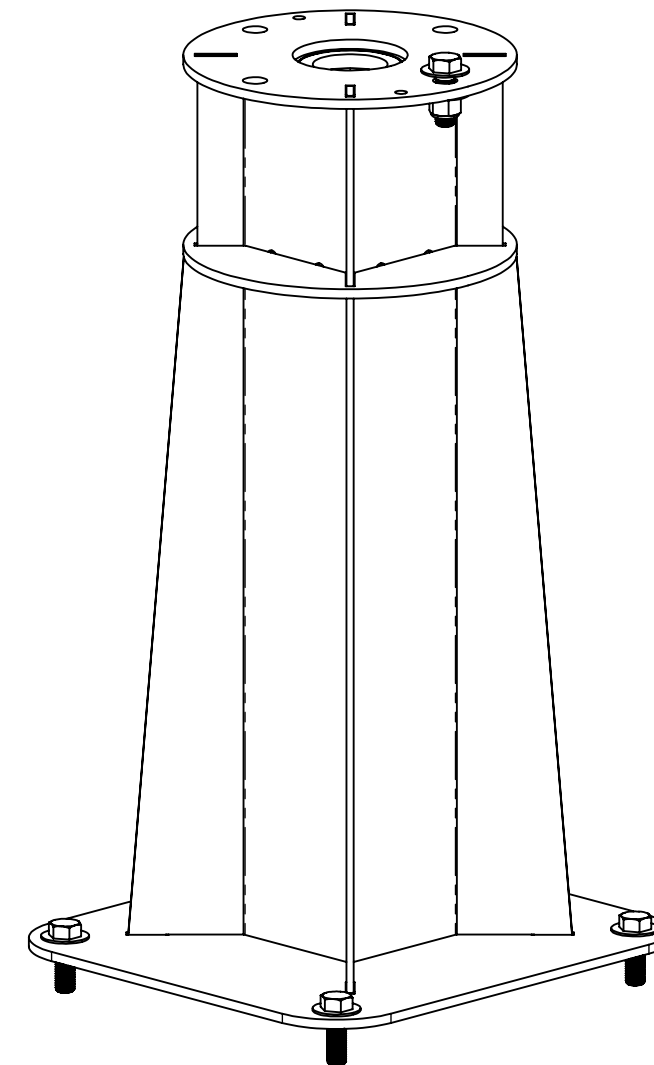
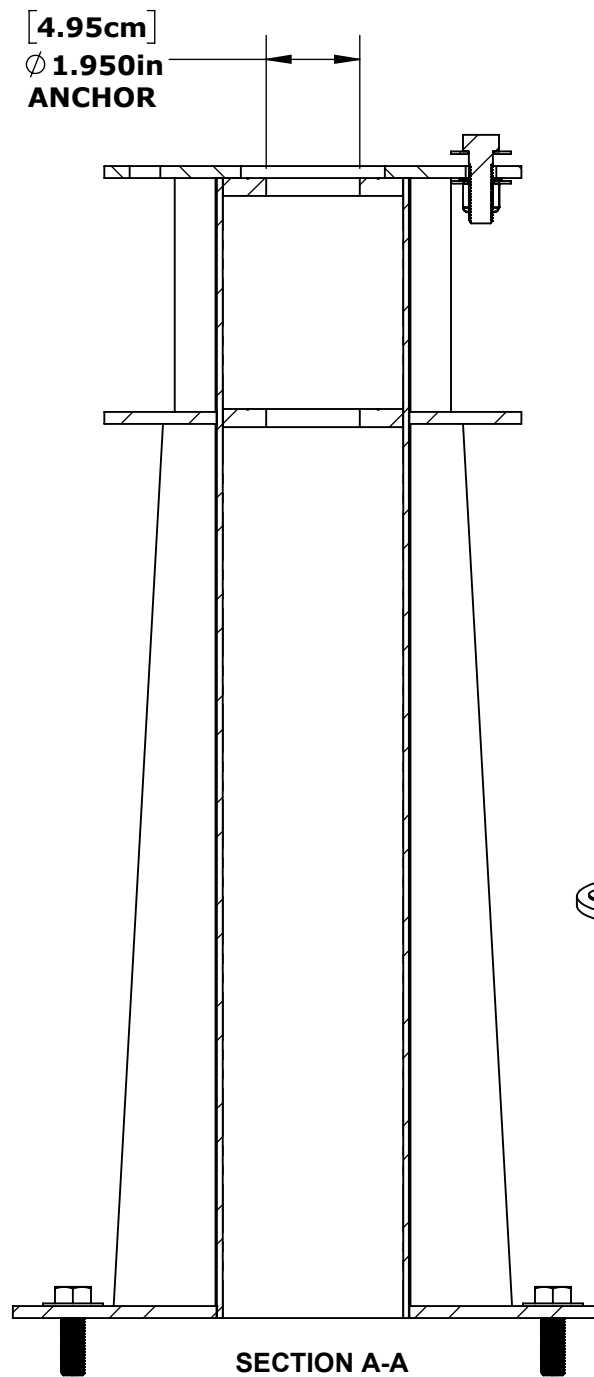
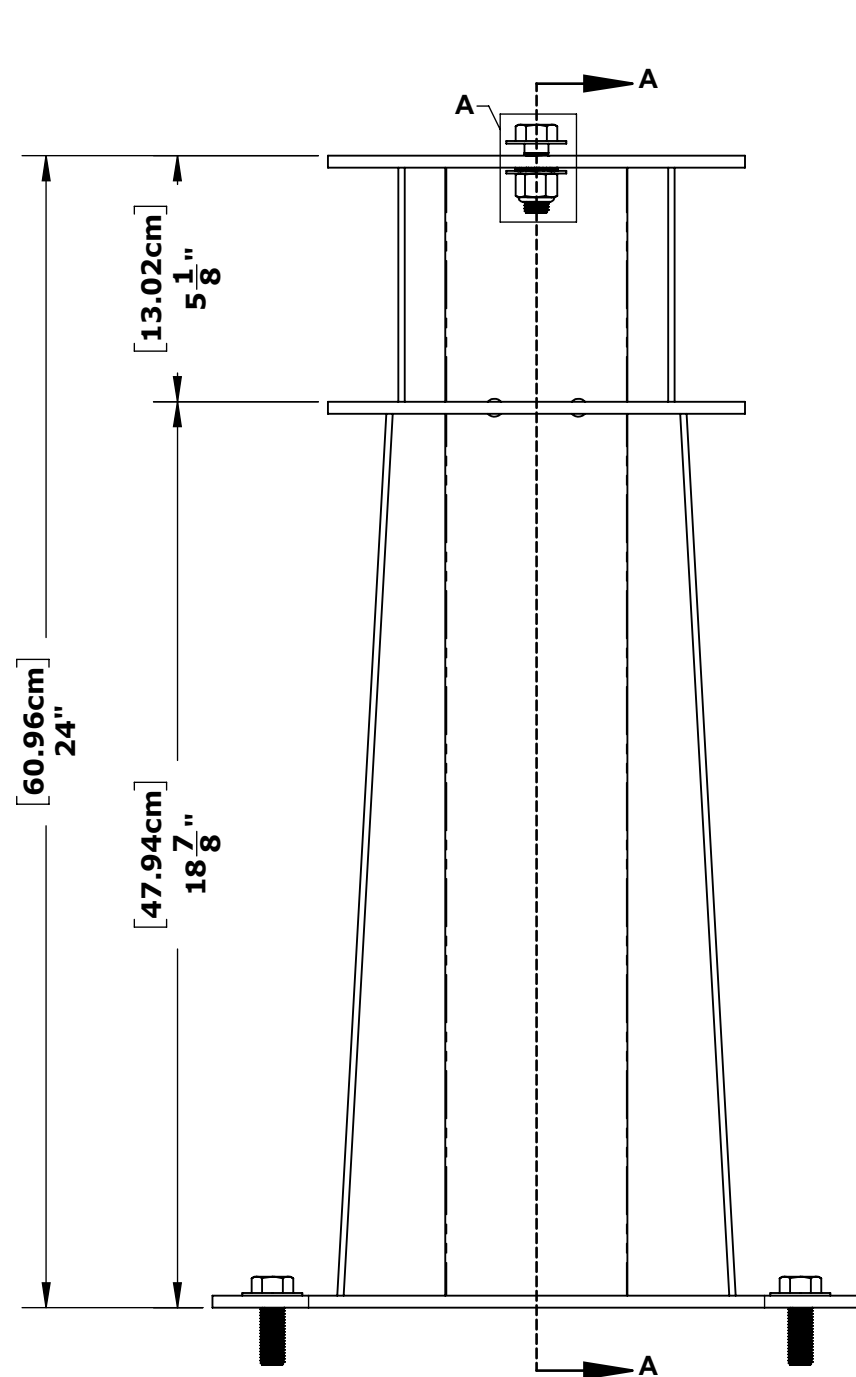


DETAIL A
SCALE 1 : 1



ANCHOR - PEDESTAL - 24IN

F-MTY2PD
PART NO. INV01882

MATERIAL: 304 STAINLESS STEEL
FINISH: POWDER COAT - WHITE
APPROX. WEIGHT: 43.35 LBS.

PROPRIETARY AND CONFIDENTIAL INFORMATION

THIS DRAWING AND ALL INFORMATION CONTAINED HEREIN IS THE SOLE PROPERTY OF AQUA CREEK PRODUCTS LLC. ANY REPRODUCTION IN PART OR AS A WHOLE WITHOUT WRITTEN PERMISSION FROM AQUA CREEK IS PROHIBITED.

*SPECIFICATIONS ARE SUBJECT TO CHANGE WITHOUT NOTICE

REVISIONS

REV.	DESCRIPTION	DATE	APPROVED
P1	INITIAL RELEASE	3/22/2021	J.MAXWELL



9889 GARRYMORE LANE
MISSOULA, MT 59808
(406) 549-0769
FAX (406) 549-2602
www.AquaCreek.com

© 2021 AQUA CREEK PRODUCTS. ALL RIGHTS RESERVED.