

USE THIS MANUAL FOR PART #'s:
F-SCTXL / F-REVXL / F-REVXL-DD
F-MTY400 / F-MTY600
F-EZPL2 / F-PEZPL2 / F-194PHBL-NA

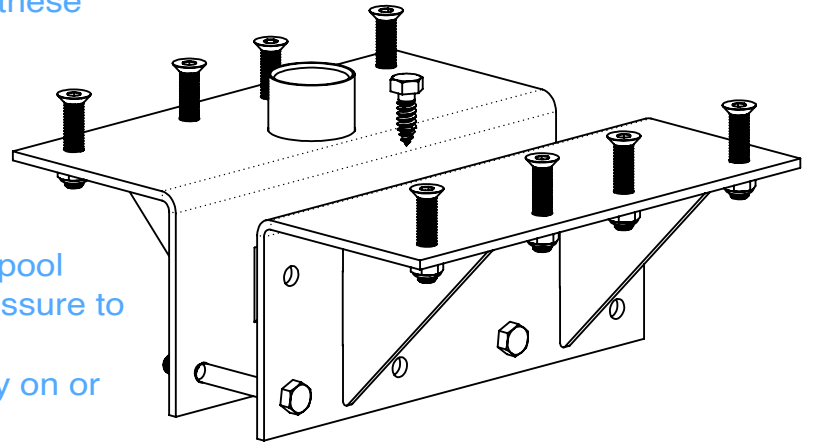
MANDATORY

LEAVE THIS MANUAL WITH OWNER

Read and follow all instructions.
Lift safety can only be ensured if the lift is installed and operated according to these instructions.

• FOR SAFETY REASONS

- **NEVER** swim alone
- **NEVER** use the lift with a dry pool
- **NEVER** apply direct water pressure to the electronics
- **NEVER** permit children to play on or around the lift
- **DO NOT** allow children to use the lift without adult supervision



READ CAREFULLY

Check entire box and all packing materials for parts. Before beginning assembly, read the instructions and identify parts using the figures and parts listed in this document.

It is critical that all parts be carefully inspected prior to installation. If any damage occurred in transit, Aqua Creek Products, LLC must be notified within three days of receipt of unit.

Proper installation cannot be overstressed, as an improper installation voids Aqua Creek's warranty and may affect the safety of the user.

Aqua Creek Products, LLC

9889 Garrymore Lane
Missoula, MT 59808
Toll Free: (888) 687-3552
Local/Intnl: (406) 549-0769
www.aquacreek.com



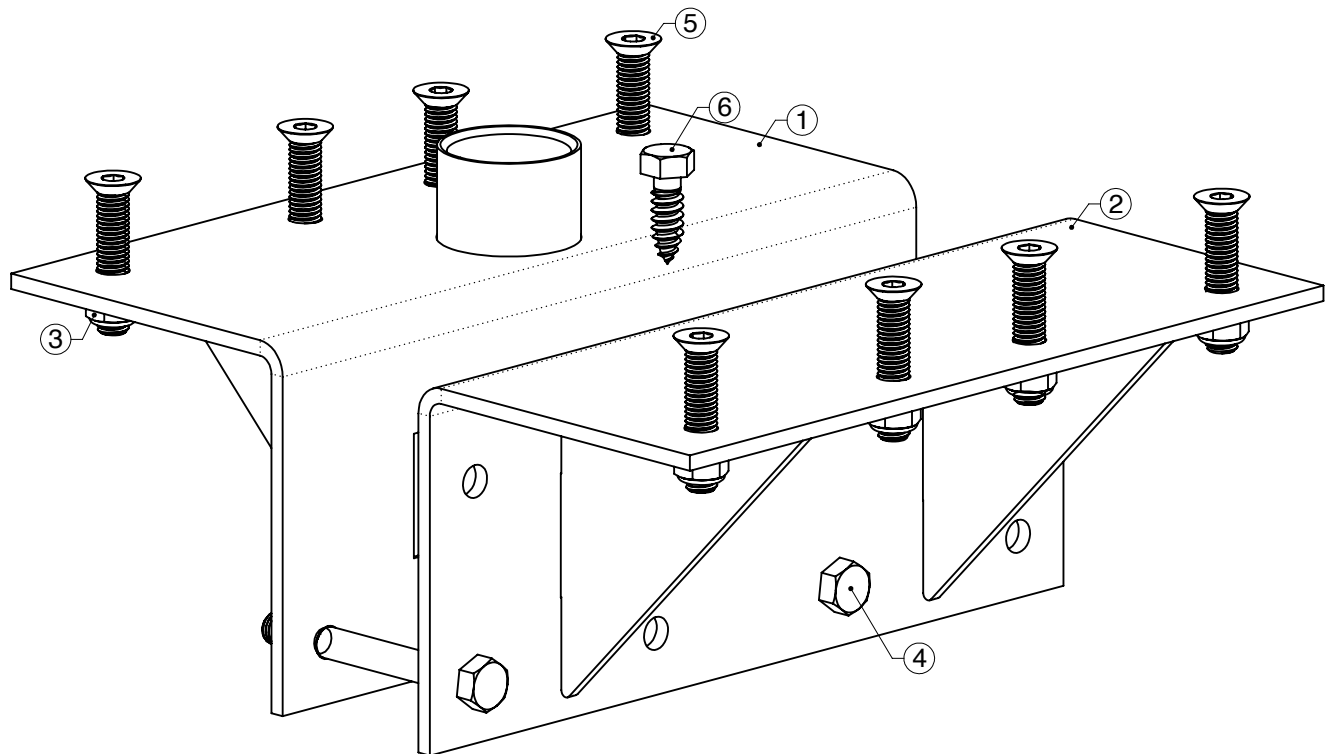
Aqua Creek Products

Leaders in Recreation, Fitness and Ability

PRODUCT COMPONENTS

ANCHOR - WOOD DECK ANCHOR 1.90"X6.00" - INV01504

ITEM	PART NO.	QTY.	REV.	DESCRIPTION
1	INV03027	1	P1	ASSEMBLY - WOOD DECK ANCHOR JOIST PLATE W/HOLES
2	INV03026	1	P1	WELDMENT - WOOD DECK ANCHOR JOIST
3	INV00733	12	P1	NN - 1/2"-13 NYLOCK NUT
4	INV00394	4	P1	BH - 1/2"-13X4" HEX HEAD BOLT
5	INV03028	8	P1	BC - 1/2"-13X2 1/2" FLAT HEAD COUNTERSINK
6	INV03029	1	P1	BL - 1/2"-13X1 1/2" HEX HEAD LAG BOLT
7	INV00303	1	P1	ANTI-SEIZE - PACKET - 5 GRAMS



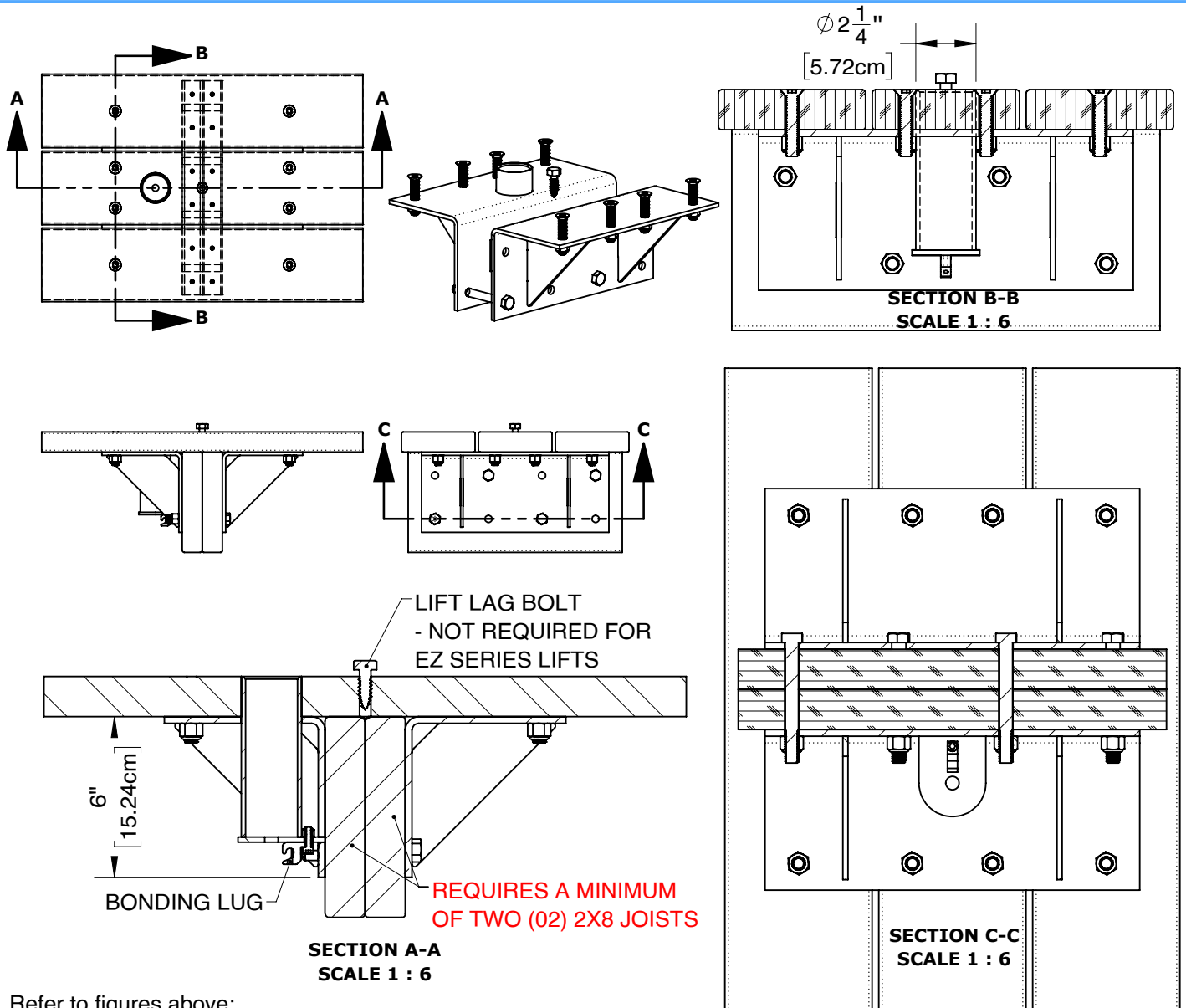
For service and/or replacement parts, contact Aqua Creek Products, LLC.
Toll Free: (888) 687-3552 Local/Intnl: (406) 549-0769 www.AquaCreek.com



Aqua Creek Products

Leaders in Recreation, Fitness and Ability

PRODUCT ASSEMBLY



Refer to figures above:

1. Find a location on minimum of two (02) 2x8 joists to safely drill a 2 1/4" to 2 1/2" hole for the main anchor assembly. Mark the center of the hole. Setbacks are located in the lift owner's manual.
2. Once in place, mark and drill four (04) 9/16" holes through the two (02) 2x8 minimum deck joists. Mark and drill eight (08) 9/16" holes through the deck surface.
3. Bolt the two halves through the deck joists using the four (04) BH - 1/2"-13X4" HEX HEAD BOLT and four (04) NN - 1/2"-13 NYLOCK NUT with a small dab of ANTI-SEIZE - PACKET - 5 GRAMS on each.
4. Countersink the eight holes (08) on top of the deck surface.
5. Bolt the two halves through the deck surface using the eight (08) BC - 1/2"-13X2 1/2" FLAT HEAD COUNTERSINKS and eight (08) NN - 1/2"-13 NYLOCK NUT with a small dab of ANTI-SEIZE - PACKET - 5 GRAMS on each.
6. Bond the anchor according to local code requirements.
7. Insert lift and add lift fix kit lag when when required for non-manual rotation lifts.

NOTE:

* WOOD-DECK STRUCTURE AND DESIGN IS THE RESPONSIBILITY OF THE OWNER.