

**USE THIS MANUAL FOR PART #'s:
F-MTY400 / F-MTY600 / F-SCTXL / F-REVXL / F-REVXL-DD**

MANDATORY

LEAVE THIS MANUAL WITH OWNER

Read and follow all instructions.
Lift safety can only be ensured if the lift is installed and operated according to these instructions.

• **FOR SAFETY REASONS**

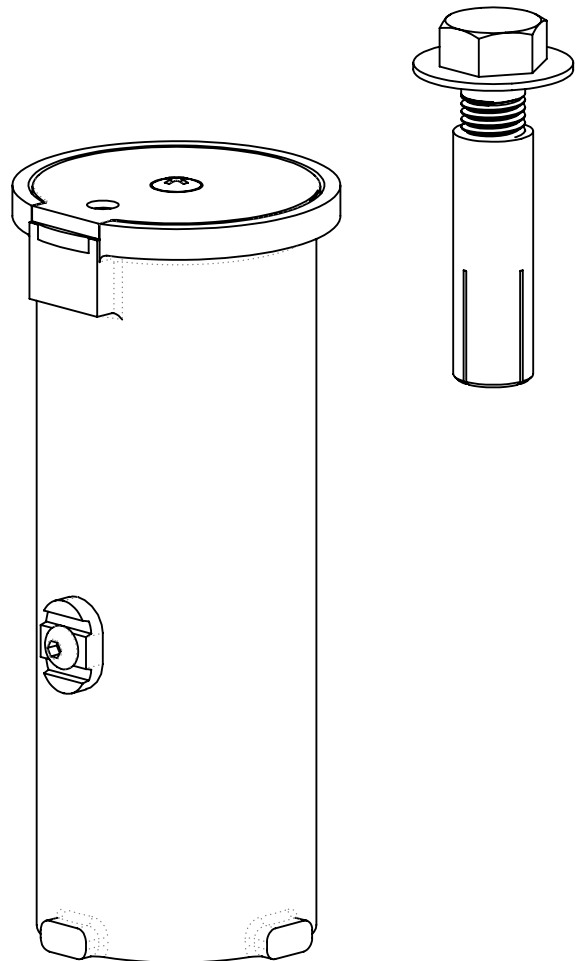
- **NEVER** swim alone
- **NEVER** use the lift with a dry pool
- **NEVER** apply direct water pressure to the electronics
- **NEVER** permit children to play on or around the lift
- **DO NOT** allow children to use the lift without adult supervision

READ CAREFULLY

Check entire box and all packing materials for parts. Before beginning assembly, read the instructions and identify parts using the figures and parts listed in this document.

It is critical that all parts be carefully inspected prior to installation. If any damage occurred in transit, Aqua Creek Products, LLC must be notified within three days of receipt of unit.

Proper installation cannot be overstressed, as an improper installation voids Aqua Creek's warranty and may affect the safety of the user.



Aqua Creek Products, LLC

9889 Garrymore Lane

Missoula, MT 59808

Toll Free: (888) 687-3552

Local/Intnl: (406) 549-0769

www.aquacreek.com



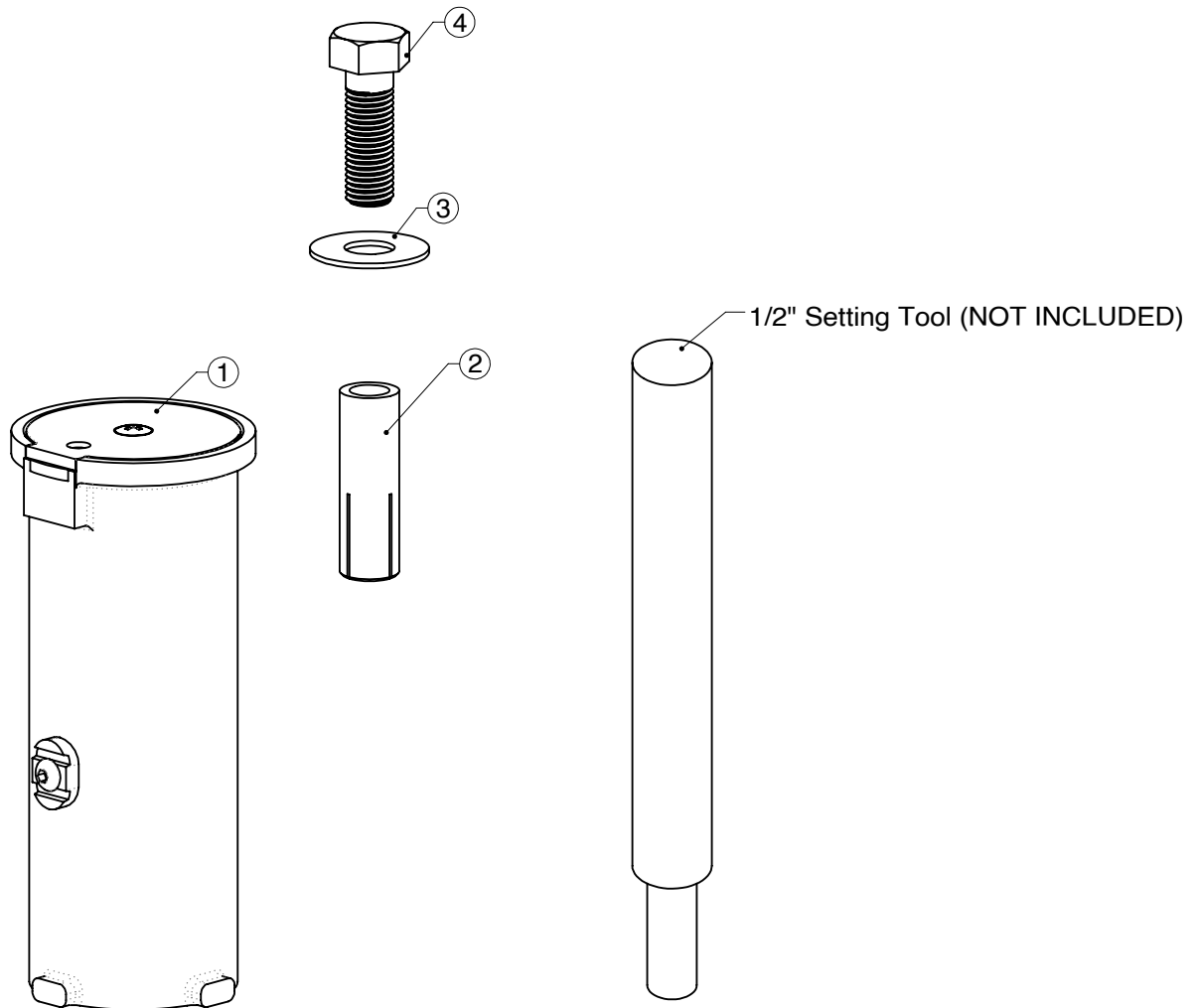
Leaders in Recreation, Fitness and Ability

PRODUCT COMPONENTS

ANCHOR - 1.90"X6.00" - W/KIT (FG) - INV01494

ITEM	PART NO.	QTY.	REV.	DESCRIPTION
1	INV01926	1	P1	ANCHOR - 1.90"X6.00" - W/CAP
2	INV03463	1	1	DROP IN ANCHOR
3	INV01169	1	P1	WF - 1/2" FLAT WASHER
4	INV00388	1	P1	BH - 1/2"-13X1 1/2" HEX HEAD BOLT

*1/2" Setting tool not included in kit. Available to order PART NO. INV03464

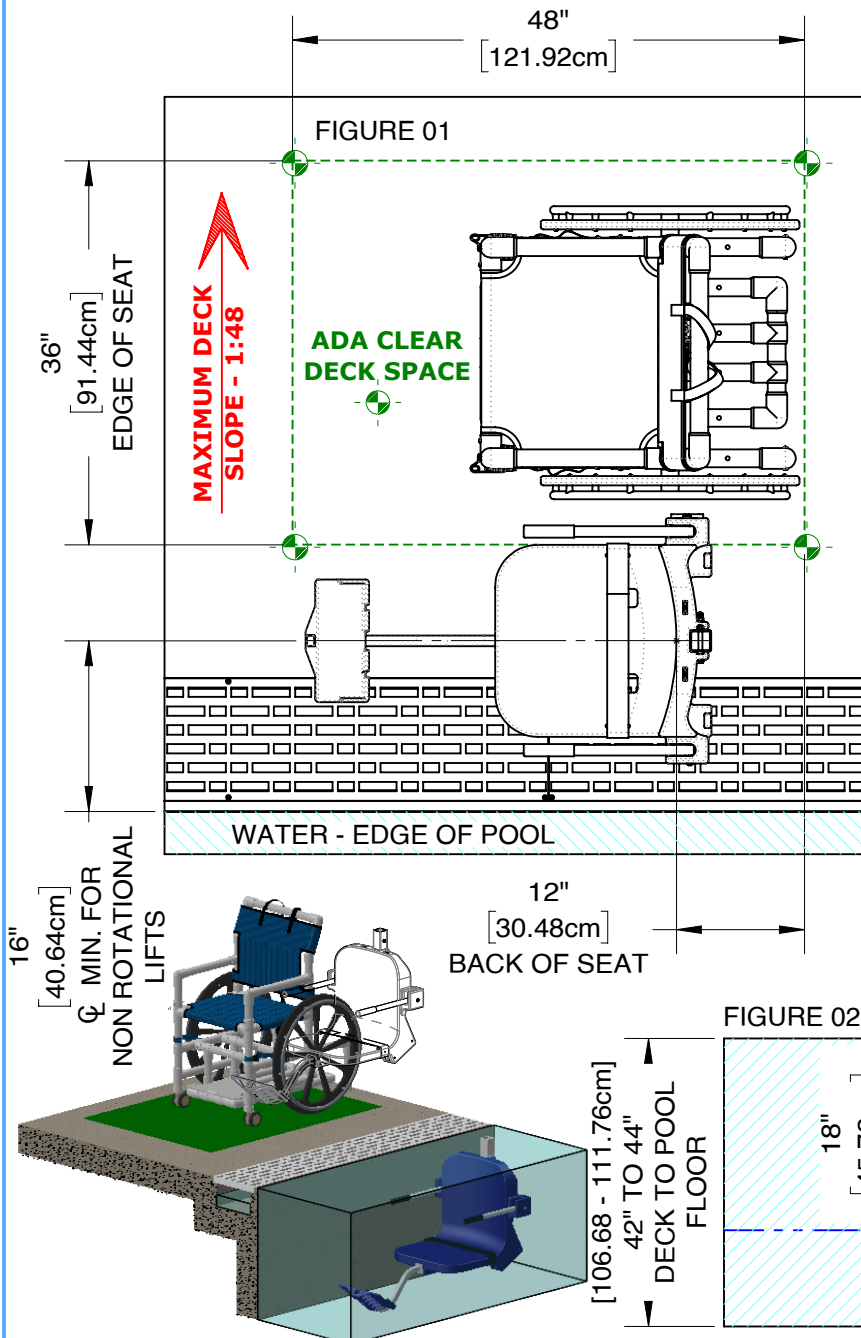


For service and/or replacement parts, contact Aqua Creek Products, LLC.
 Toll Free: (888) 687-3552 Local/Intnl: (406) 549-0769 www.AquaCreek.com

AQUA CREEK PRODUCT'S LIFTS ARE COMPLETELY ADA COMPLIANT WHEN INSTALLED CORRECTLY.

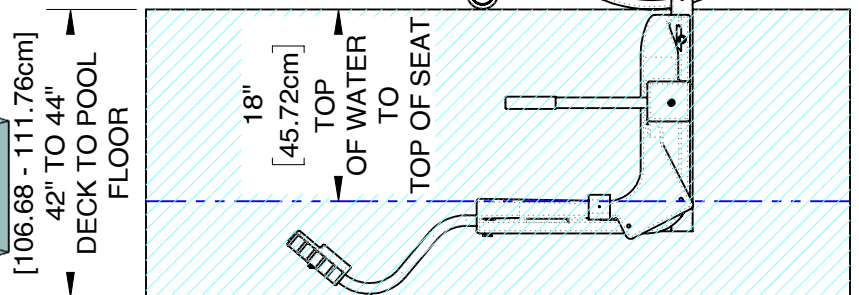
THE INSTALLATION MUST MEET THE FOLLOWING REQUIREMENTS:

- CLEAR DECK SPACE DIMENSIONS (SEE FIGURE 01)
- INSTALL LIFT A MINIMUM OF 16 INCH SEAT \varnothing FROM THE POOL EDGE (NON-ROTATIONAL) (FOR CURVED POOL WALLS CONTACT AQUA CREEK PRODUCTS FOR PLACEMENT)
- DECK SLOPE NO GREATER THAN 1:48
- THE SEAT MUST BE SUBMERGED AT LEAST 18 INCHES INTO THE WATER. THE LIFT SHOULD BE INSTALLED AT A LOCATION WITH 42-48 INCHES OF DEPTH, DECK TO POOL FLOOR. (SEE FIGURE 02)



NOTE: OTHER REQUIREMENTS MAY BE NECESSARY BASED ON LOCAL CODE REQUIREMENTS. THE ANCHOR SYSTEM SHOULD BE BONDED ACCORDING TO NEC SECTION 680 AND/OR LOCAL CODE REQUIREMENTS.

FIGURE 02





Aqua Creek Products

—Leaders in Recreation, Fitness and Ability—

CORE DRILL RETRO-FIT

NOTE: YOUR LOCAL CODES MAY REQUIRE ONE OR MORE PERMITS. CHECK WITH YOUR LOCAL BUILDING CODES FOR THE PROPER PERMIT REQUIREMENTS.

TOOLS REQUIRED: CORE DRILL, MARKING PEN, 3" CORE DRILL BIT, AIR NOZZLE & PUMP/COMP., 5/8" CORE DRILL BIT, HEAT GUN (OPTIONAL), EPOXY (ANCHOR ADHESIVE), MASKING TAPE

NOTE: Mark the center of the anchor location on your deck using the guidelines on page 3. Also mark the center for the fixing anchor 3 1/2" from the center anchor.

6" ANCHOR INSTRUCTIONS:

1. Using a 3" diameter core-drill bit, drill a 3" diameter hole at the anchor location. Make sure to keep the bit square to the deck. Drill straight down to a depth of at least 6".

NOTE: Create a depth marker on the drill bit with black electrical tape to make sure you drill to the right depth. If you drill through the deck you may need to use the saw-cut installation instructions.

2. Clean out the hole with a wire brush. Insert an air nozzle to the bottom of the hole. Use a pump or compressed air to blow out the hole. A heat-gun may be helpful in drying out the hole.

3. Place the 6" anchor in the hole and 'dry-fit' it first to make sure the anchor will be flush and plumb with the finished deck surface when installed. Adjust the hole as needed.

NOTE: Pool decks with pavers or thick tiles may require other anchor options. Contact Aqua Creek Products.

5. Inject epoxy adhesive into the 3" hole only starting at the bottom until the hole is 1/3 to 1/2 full.

NOTE: We recommend using masking tape around the top of the anchor so that no epoxy gets inside the anchor. *Do not use epoxy for the drop in anchor hole.

6. Install the 6" anchor into the epoxy filled hole by pushing down and twisting back and forth to evenly distribute the epoxy around the anchor. Push down until it is flush with the finished deck surface. Clean off any excess epoxy. Adjust the anchor as needed to make sure it is flush and plumb with the deck surface. This should be done during the adhesives' specified 'gel time' (see epoxy manufacturers' instructions).

7. Let the epoxy cure for at least 24 hours before installing the lift (or where applicable according to the epoxy manufacturers' instructions).

DROP IN ANCHOR INSTRUCTIONS:

1. Use a 5/8" drill bit for the drop in anchor, drilling down to 2.25".

NOTE: Create a depth marker on the drill bit with black electrical tape to make sure you drill to the right depth. The top of the drop in anchor should sit 1/4" below the concrete surface.

2. Clean out the hole with a wire brush. Insert an air nozzle to the bottom of the hole. Use a pump or compressed air to blow out the hole. A heat-gun may be helpful in drying out the hole.

3. Insert the anchor into the concrete. Make sure the top surface of the anchor is sitting at 1/4" below the surface of the deck. Use the setting tool (not included) to activate the drop in anchor expansion feature. Anchor is set when the bottom shoulder of the setting tool is flush with the top face of the drop in anchor.



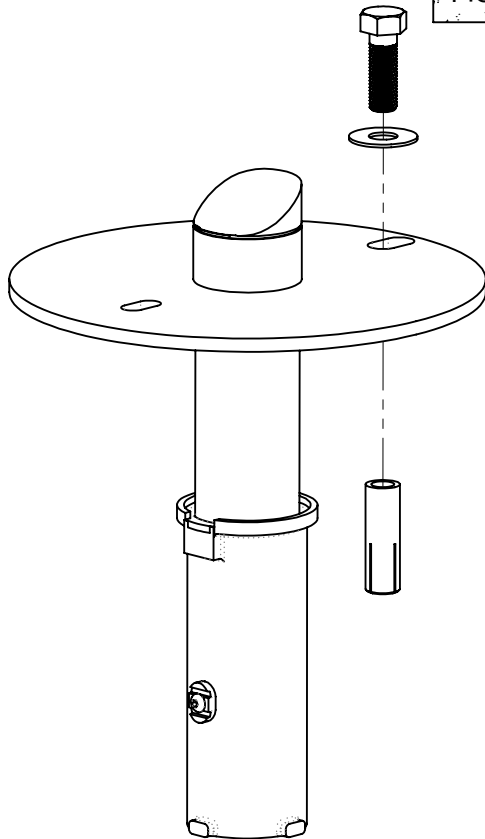
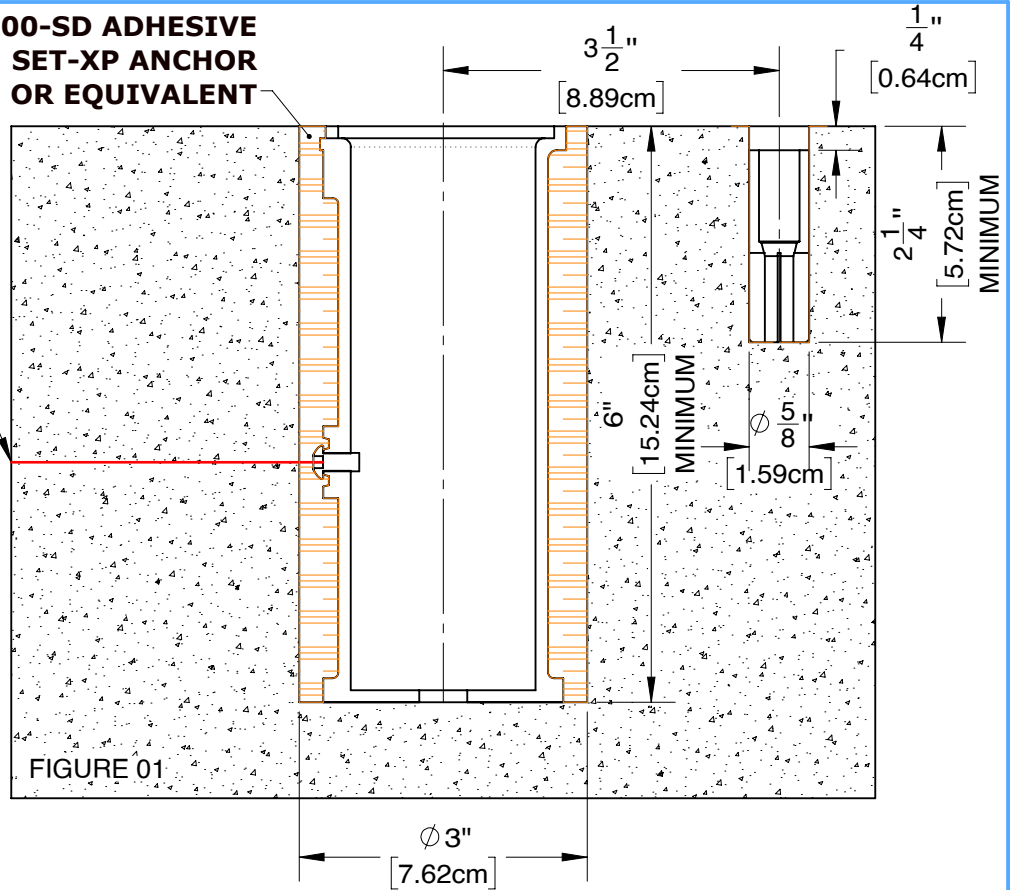
Aqua Creek Products

Leaders in Recreation, Fitness and Ability

CORE DRILL RETRO-FIT

USE HILTI RE-500-SD ADHESIVE ANCHOR OR SIMPSON SET-XP ANCHOR ADHESIVE OR EQUIVALENT

ANCHOR MUST BE BONDED ACCORDING TO LOCAL REQUIREMENTS



MIGHTY 400, REVOLUTION XL, REVOLUTION XL-DD INSTALL, YOUR DECK MUST HAVE:

- **MINIMUM FOOTING SIZE: 4' - 0" x 4' - 0" x 10" THICK**
- **MINIMUM CONCRETE STRENGTH: 4500 PSI**
- **REINFORCEMENT: #3 REBAR @ 10" ON CENTER (O.C.)**
(SEE MIGHTY 400 SAW-RETRO FIT/NEW CONSTRUCTION FOR ANCHOR PLACEMENT)

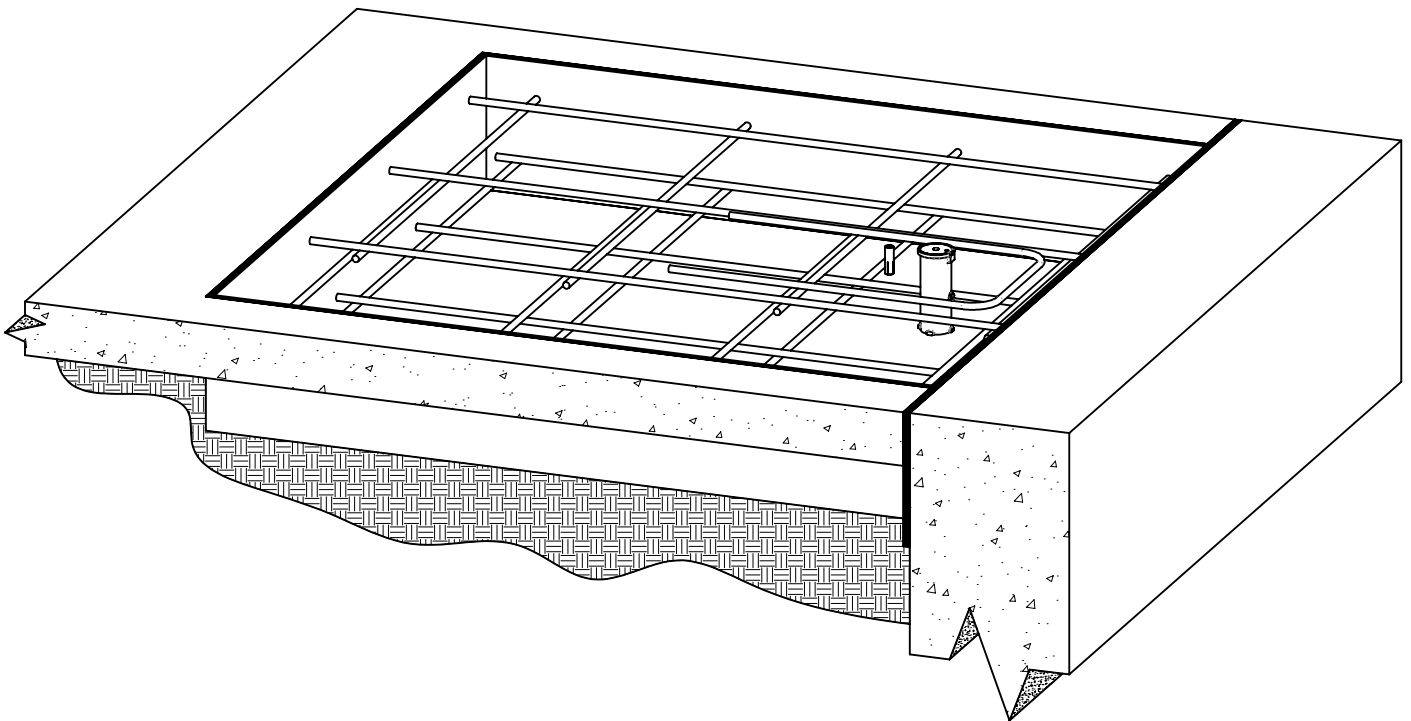
MIGHTY 600

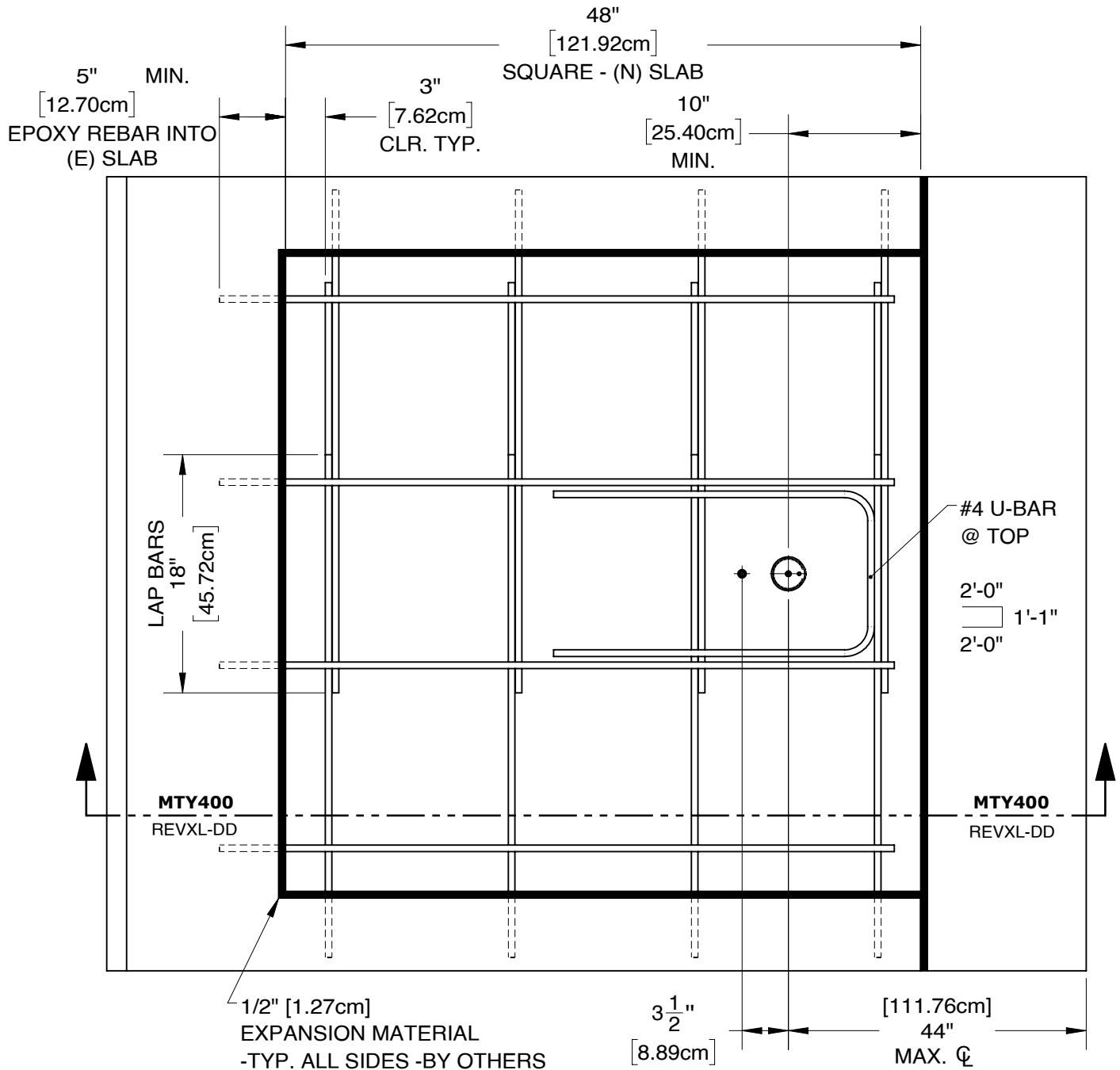
- **MINIMUM FOOTING SIZE: 4' - 6" x 4' - 6" x 10" THICK**
- **MINIMUM CONCRETE STRENGTH: 4500 PSI**
- **REINFORCEMENT: #4 REBAR @ 10" ON CENTER (O.C.)**
(SEE MIGHTY 600 SAW-RETRO FIT/NEW CONSTRUCTION FOR ANCHOR PLACEMENT)

SCOUT EXCEL INSTALL, YOUR DECK MUST HAVE:

- **MINIMUM FOOTING SIZE: 3' - 6" x 3' - 6" x 10" THICK**
- **MINIMUM CONCRETE STRENGTH: 4500 PSI**
- **REINFORCEMENT: #5 REBAR @ 10" ON CENTER (O.C.)**
(SEE SCOUT EXCEL SAW-RETRO FIT/NEW CONSTRUCTION FOR ANCHOR PLACEMENT)

- 1. MASK THE BOTTOM HOLE OF THE ANCHOR SLEEVE TO PREVENT CONCRETE FROM SEEPING IN.**
- 2. INSTALL REBAR IN THE SECTION OF THE DECK THAT WILL BE THICKENED TO 10". SEE SAW-CUT RETRO-FIT/NEW CONSTRUCTION FOR YOUR SPECIFIC LIFT.**
- 3. SET THE BRONZE ANCHOR SLEEVE IN PLACE. MAKE SURE THE CENTER OF THE ANCHOR SLEEVE IS NO MORE THAN 44" FROM THE POOL'S EDGE. SET THE FIXING ANCHOR INSERT 3 1/2" FROM THE CENTER OF THE ANCHOR SLEEVE. FIXING ANCHOR MAY BE LOCATED ANYWHERE ON THE DECK, AS LONG AS IT IS 3 1/2" FROM THE CENTER OF THE ANCHOR SLEEVE.**
- 4. BOND THE ANCHOR SLEEVE ACCORDING TO YOUR LOCAL CODE REQUIREMENTS BY USING THE BONDING LUG AND BONDING SCREW ON THE SIDE OF THE ANCHOR SLEEVE.**
- 5. POUR YOUR CONCRETE AND FINISH THE POOL DECK SURFACE.**
- 6. ONCE THE CONCRETE HAS CURED, YOUR LIFT IS READY TO BE MOUNTED INTO THE ANCHOR SLEEVE.**





NOTES:

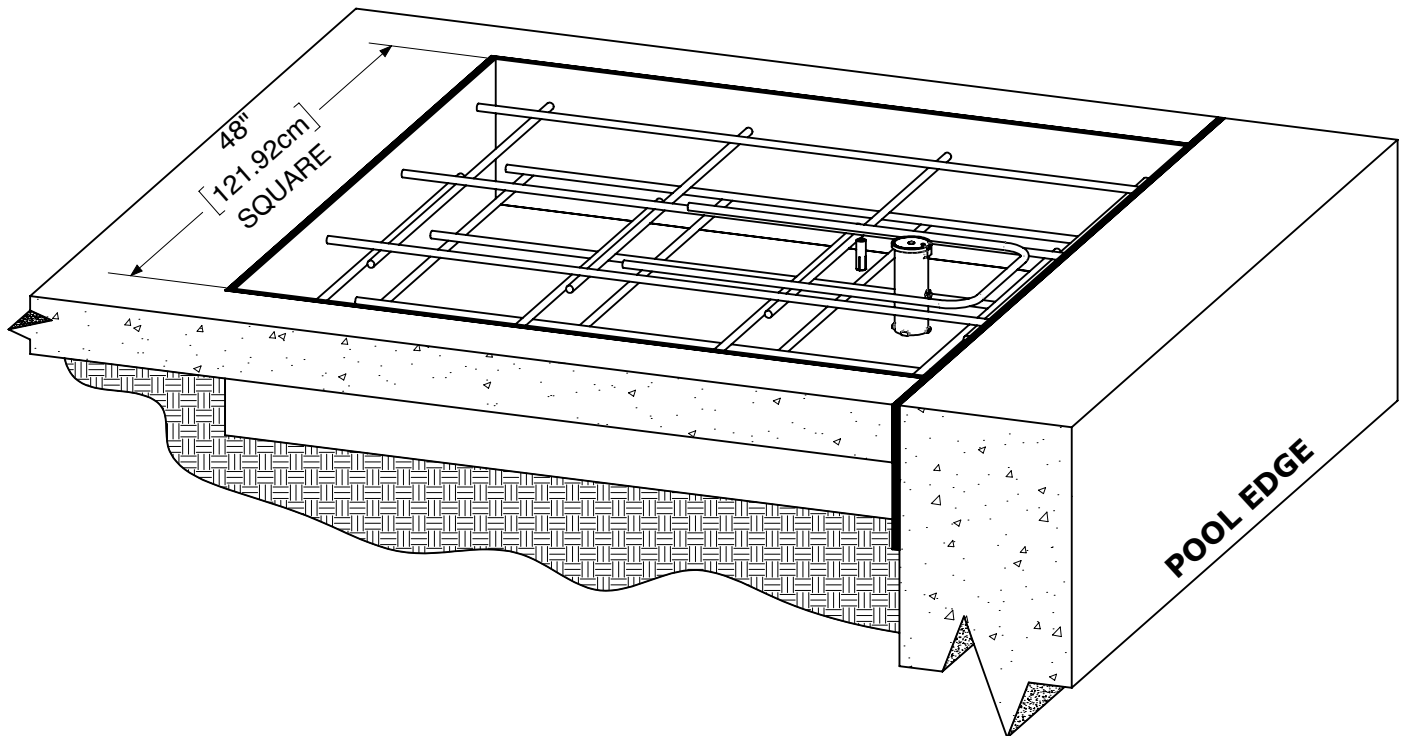
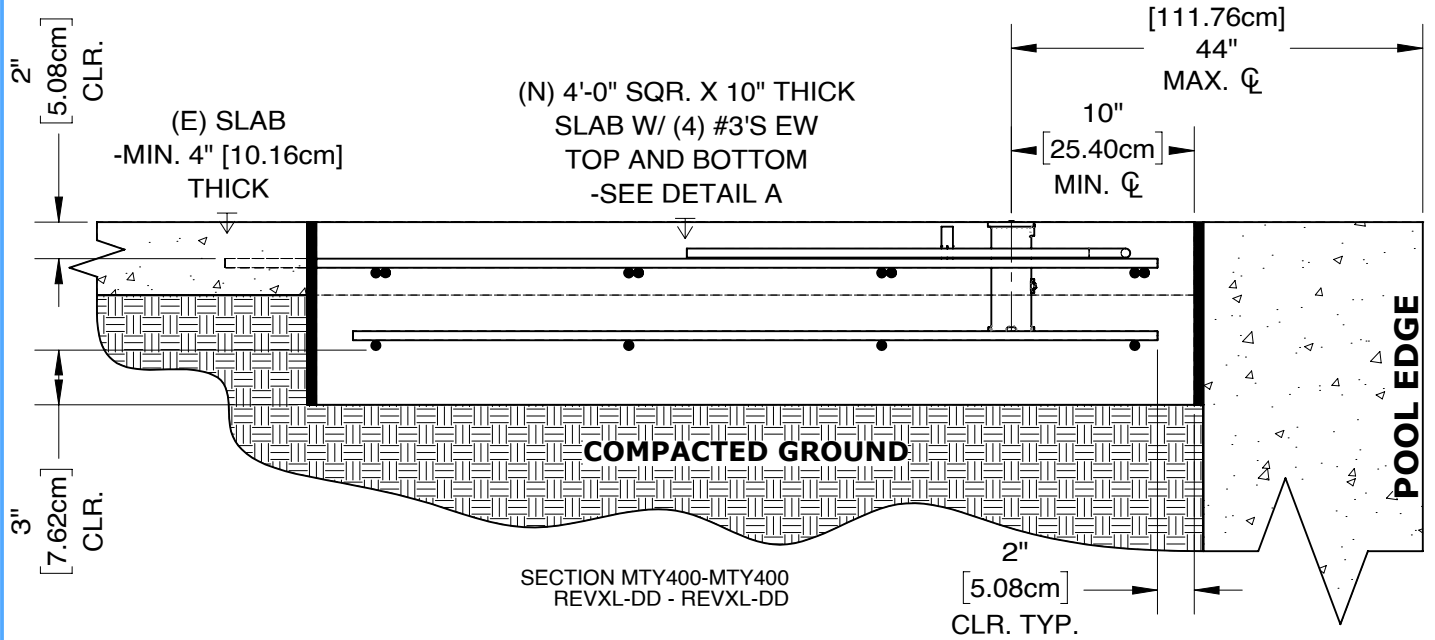
1. SIM FOR NEW CONSTRUCTION AND STAND ALONE SYSTEM.
2. MINIMUM CONCRETE STRENGTH OF 4500 PSI, w/c=0.45.
3. USE SIMPSON SET-XP, HILTI RE-500-SD, OR APPROVED ALTERNATIVE FOR EPOXY.



Leaders in Recreation, Fitness and Ability

MIGHTY 400 & REVOLUTION XL-DD

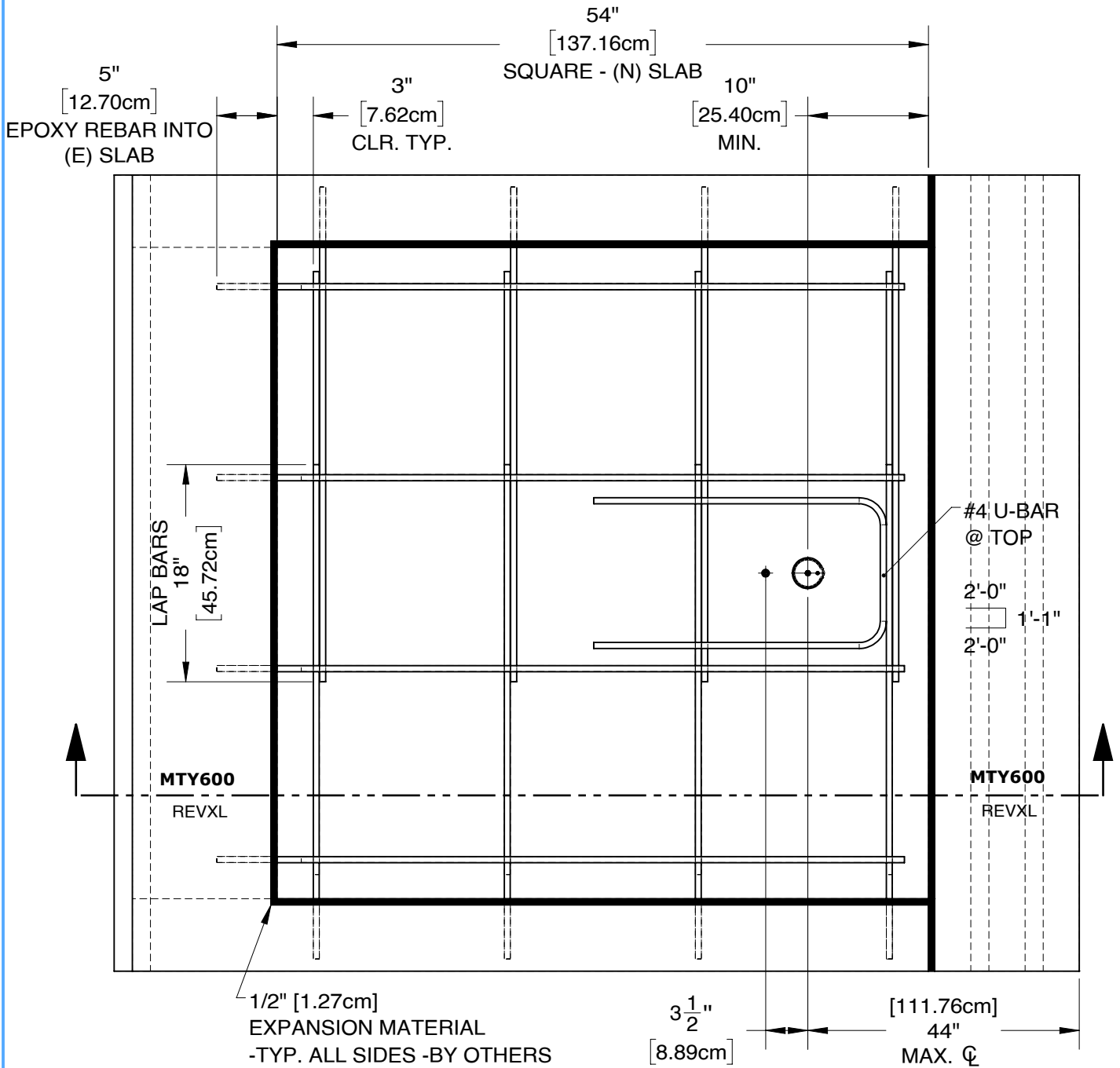
SAW CUT RETRO-FIT / NEW CONSTRUCTION





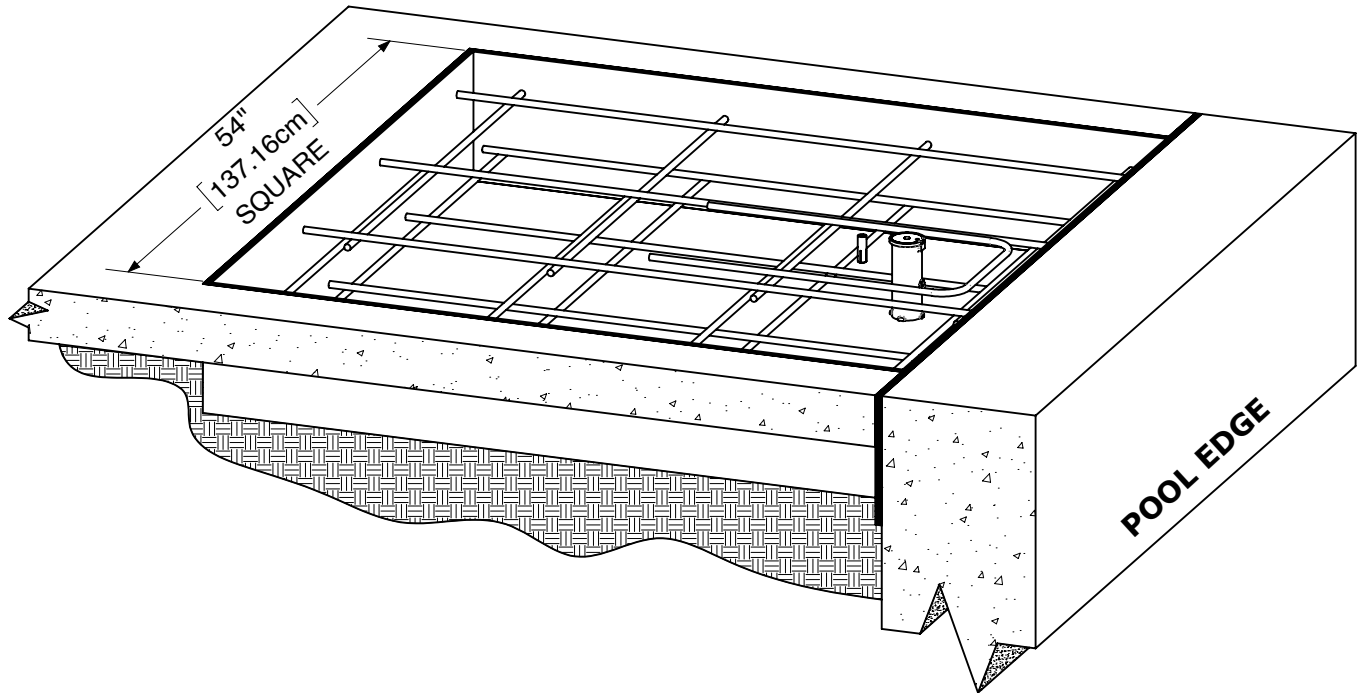
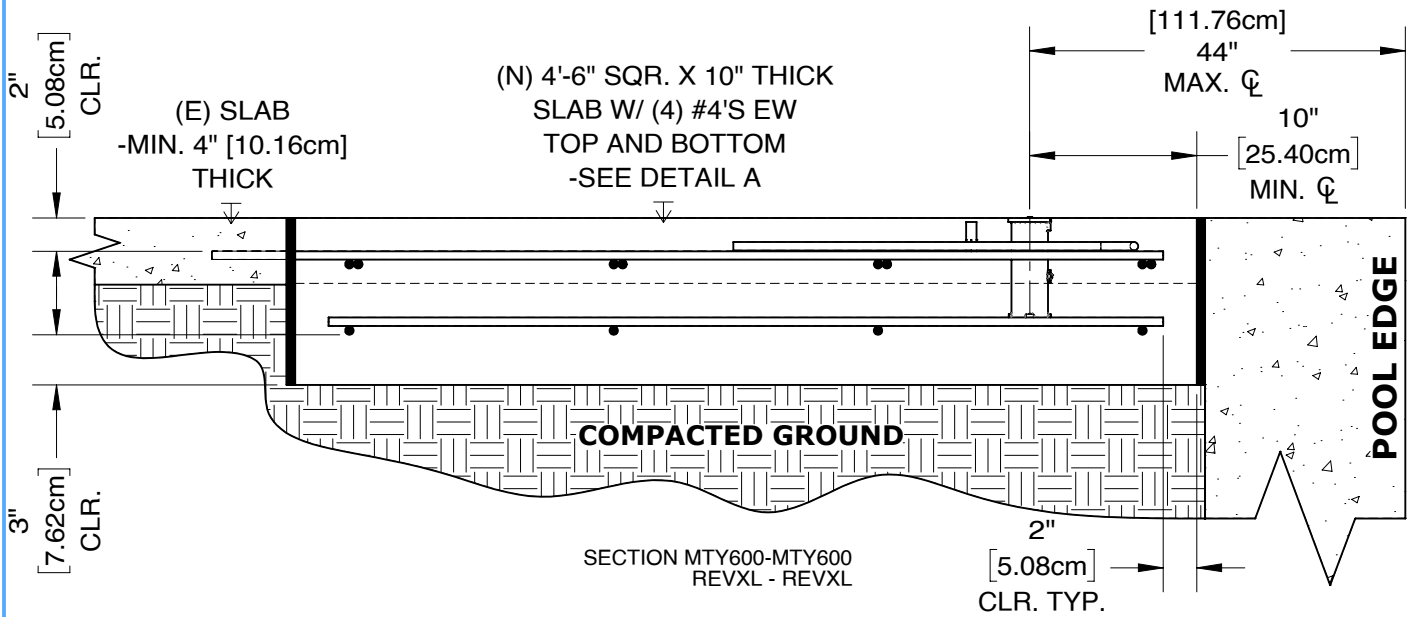
MIGHTY 600 & REVOLUTION XL

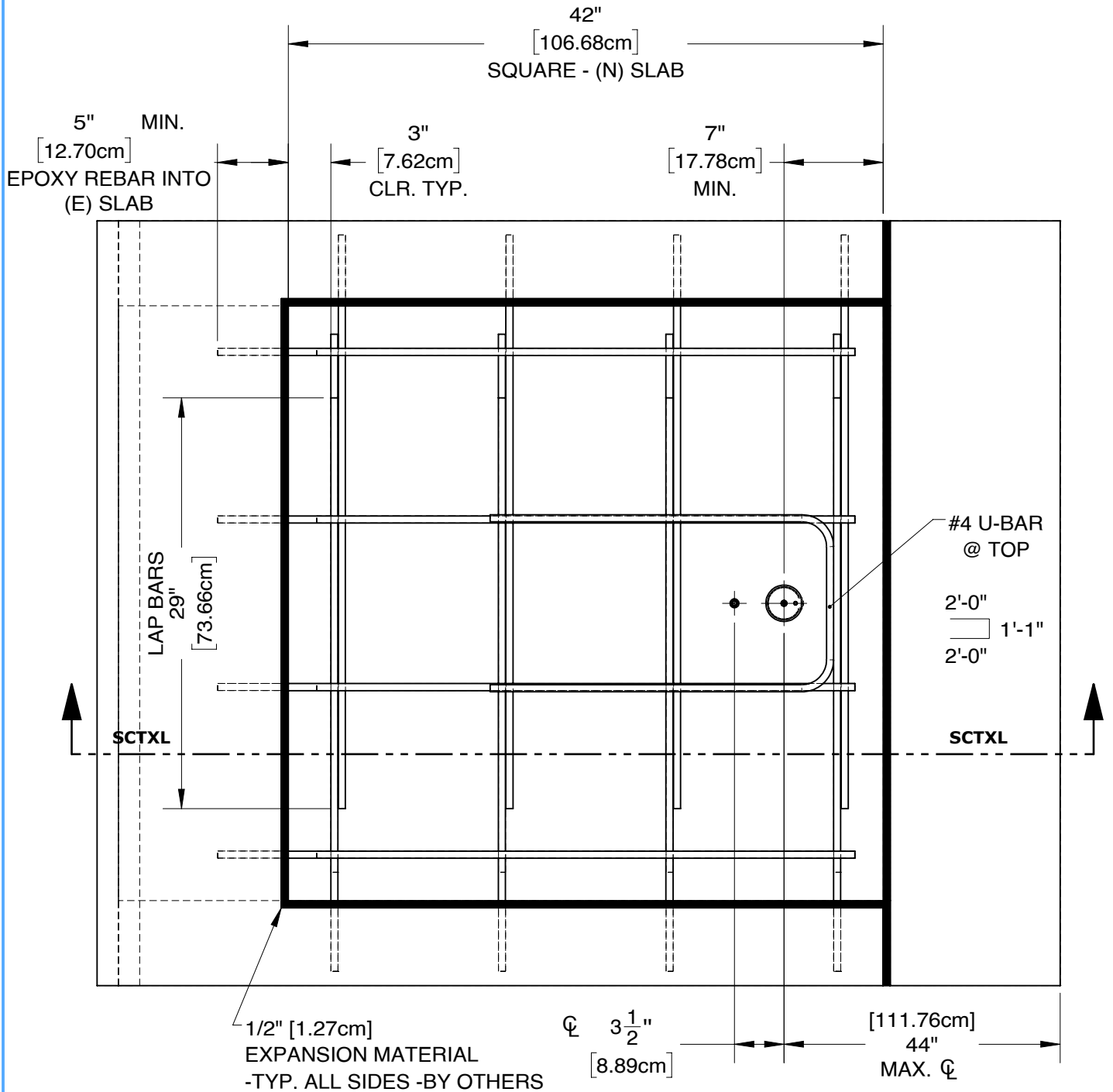
SAW CUT RETRO-FIT / NEW CONSTRUCTION



NOTES:

1. SIM FOR NEW CONSTRUCTION AND STAND ALONE SYSTEM.
2. MINIMUM CONCRETE STRENGTH OF 4500 PSI, w/c=0.45.
3. USE SIMPSON SET-XP, HILTI RE-500-SD, OR APPROVED ALTERNATIVE FOR EPOXY.





NOTES:

- 1. SIM FOR NEW CONSTRUCTION AND STAND ALONE SYSTEM.**
- 2. MINIMUM CONCRETE STRENGTH OF 4500 PSI, w/c=0.45.**
- 3. USE SIMPSON SET-XP, HILTI RE-500-SD, OR APPROVED ALTERNATIVE FOR EPOXY.**



Aqua Creek Products

Leaders in Recreation, Fitness and Ability

SCOUT EXCEL

SAW CUT RETRO-FIT / NEW CONSTRUCTION

