



THE LEADERS IN RECREATION, FITNESS, AND ABILITY!

9889 Garrymore Ln
Missoula, MT 59808

888-687-3552 | +1-406-549-0769

www.aquacreek.com

Scout & Mighty Shallow Concrete Deck Anchor

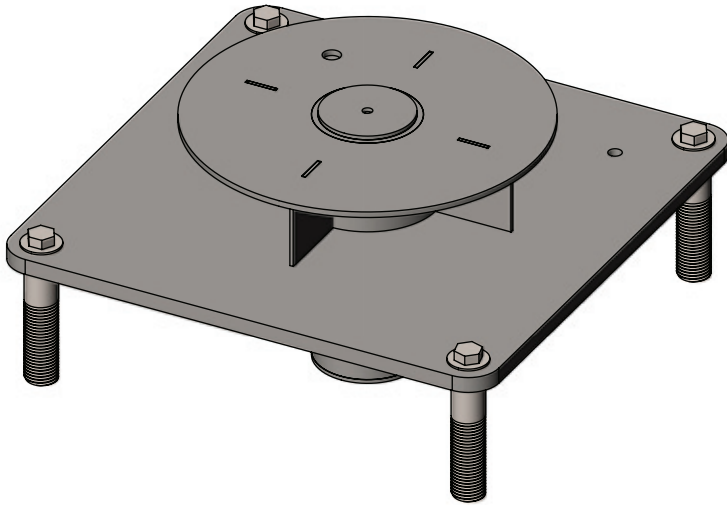
PART #: F-77SSA-03

MANDATORY

LEAVE THIS MANUAL WITH LIFT OWNER

Read and follow all instructions.

Lift safety can only be ensured if the lift is installed and operated according to these instructions.



- NEVER permit children to play on or around the lift
- Do not allow children to use the lift without adult supervision
- NEVER apply direct water pressure to the electronics
- NEVER use the lift with a dry pool

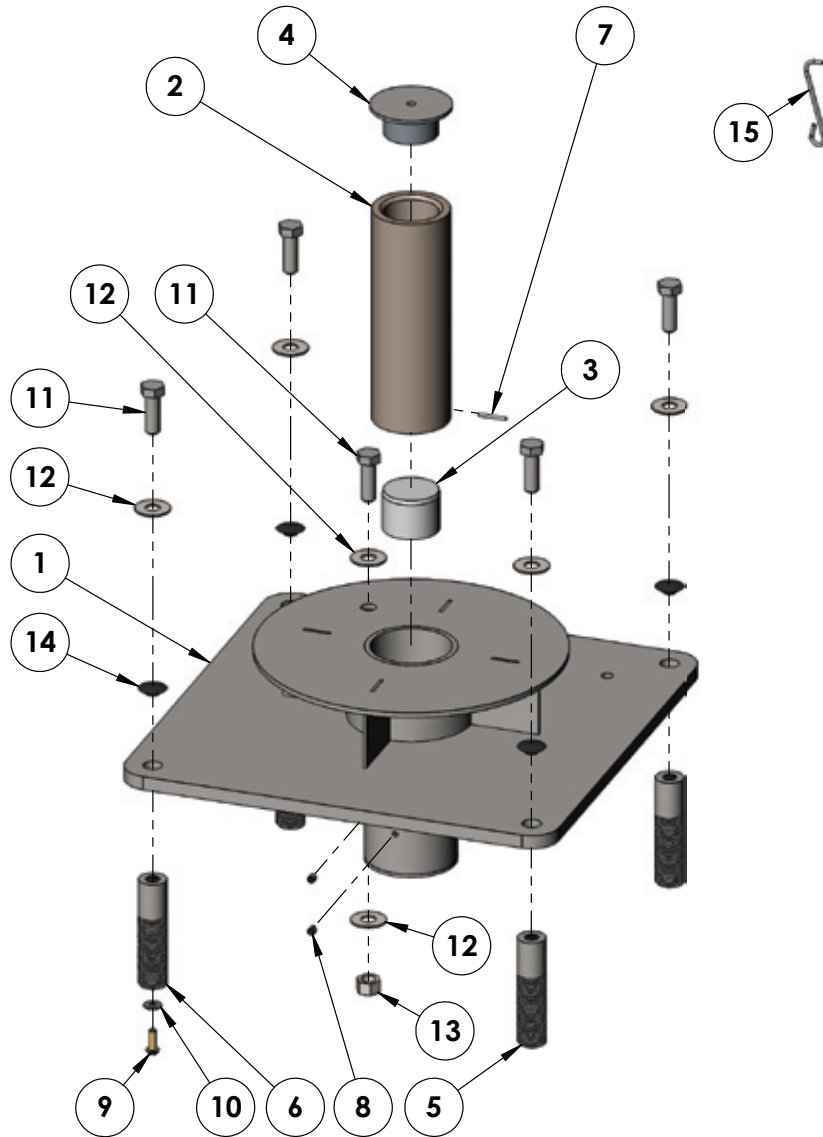
READ CAREFULLY

Check entire box and all packing materials for parts. Before beginning assembly, read the instructions and identify parts using the figures and parts listed in this document.

It is critical that all parts be carefully inspected prior to installation. If any damage occurred in transit, Aqua Creek Products, LLC must be notified within three days of receipt of unit.

Proper installation cannot be overstressed, as an improper installation voids Aqua Creek's warranty and may affect the safety of the user.

Parts List



ITEM #	QTY	PART #	DESCRIPTION
1	1	RCA-100-32	DECK ANCHOR ASSEMBLY
2	1	SCA-08B-00	SCOUT 8" ANCHOR BODY
3	1	SCA-10P-00	SCOUT ANCHOR PLUG
4	1	SCA-10L-00	SCOUT ANCHOR LID
5	3	P-7200ANB	ANCHOR INSERT, 303 SS, NON-BONDABLE
6	1	P-7200ANB-BB	ANCHOR INSERT, 303 SS, BONDABLE
7	1	ROLL PIN, 1/8 X 1	ROLL PIN, 304 SS, 1/8" X 1"
8	2	SSE 1/4 X 1/4	SCREW, 316 SS, 1/4"-20 X 1/4" SET SCREW
9	1	SPH 1/4 X 3/4 BRASS	SCREW, BRASS, 1/4-20 X 3/4 PANHEAD
10	1	WF 1/4	WASHER, FLAT, 1/4, 316 SS
11	5	BH 1/2 X 1 1/2	BOLT, 316 SS, 1/2-13 X 1 1/2 HCS
12	6	WF 1/2	WASHER, FLAT, 1/2, 316 SS
13	1	NN 1/2	NUT, 316 SS, NYLOCK, 1/2-13
14	4	PIP-1/2-TAB	BLACK CAP FOR ANCHOR INSERTS
15	1	F-ACTOOL	ANCHOR CAP TOOL

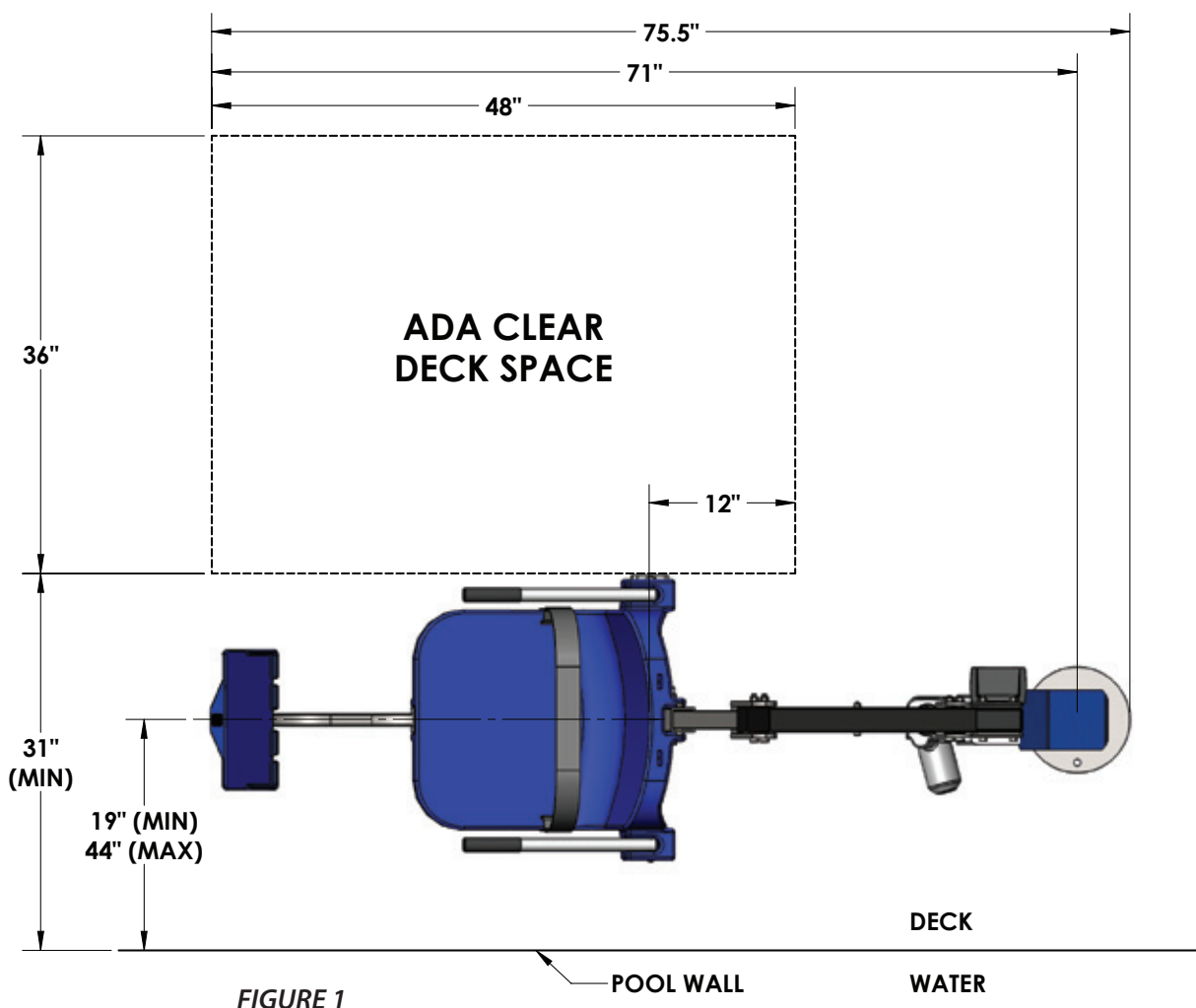
Scout Excel Installation: ADA Guidelines

ADA REQUIREMENTS (For Commercial Applications):

The Scout Excel Lift is completely ADA Compliant when installed correctly. The installation must meet the following requirements:

- Clear deck space dimensions (see FIGURE 1)
- Install lift a minimum of 19 inches from the pool edge (For curved pool walls contact Aqua Creek for placement)
- Deck slope no greater than 1:48
- The seat must be submerged at least 18 inches into the water. The lift should be installed at a location with 42-48 inches of depth (deck to pool floor)

NOTE: Other requirements may be necessary based on local code requirements. The anchor system should be bonded according to NEC Section 680 and/or local code requirements.



Scout Excel Deck Anchor Installation

NOTE: Minimum concrete pad size for this anchor and lift combination is 3'-9" x 3'-9" x 6" deep.

After selecting a location for the Scout Excel Lift the anchors will need to be marked and drilled. This will require the following tools –

- 3-1/2" & 1-1/4" Core Drill bits
- Core Drilling Rig
- Tape measure and level
- Marking pen
- Chisel and hammer

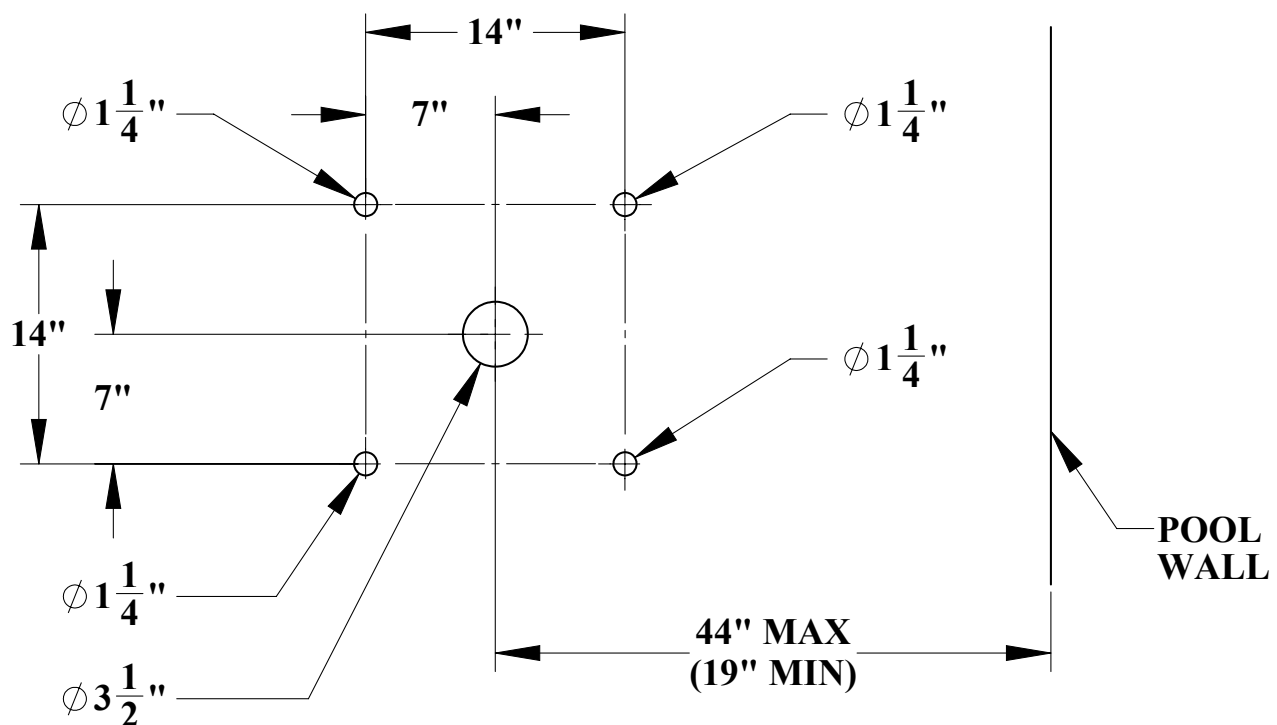
STEP 1 – Using the tape measure and marking pen, mark the centers for the five (5) holes according to diagram below.

STEP 2 - Drill the four (4) corner holes using the 1-1/4" core drill bit and drilling rig. Drill to a depth of at least 4".

STEP 3 – Drill the center hole with the 3-1/2" core drill bit and drilling rig. Drill to a depth of 5-1/2".

STEP 4 - Remove the cores from the holes using a hammer and chisel. The holes should be completely dry and clear of any debris before installing the anchors into them.

STEP 5 – Provide a path for bonding one (1) of the corner anchors, where required. Bonding is typically accomplished with a piece of 8-AWG solid copper wire connected to the bonding screw on the bondable insert (one of the four 1" x 4" anchor inserts).



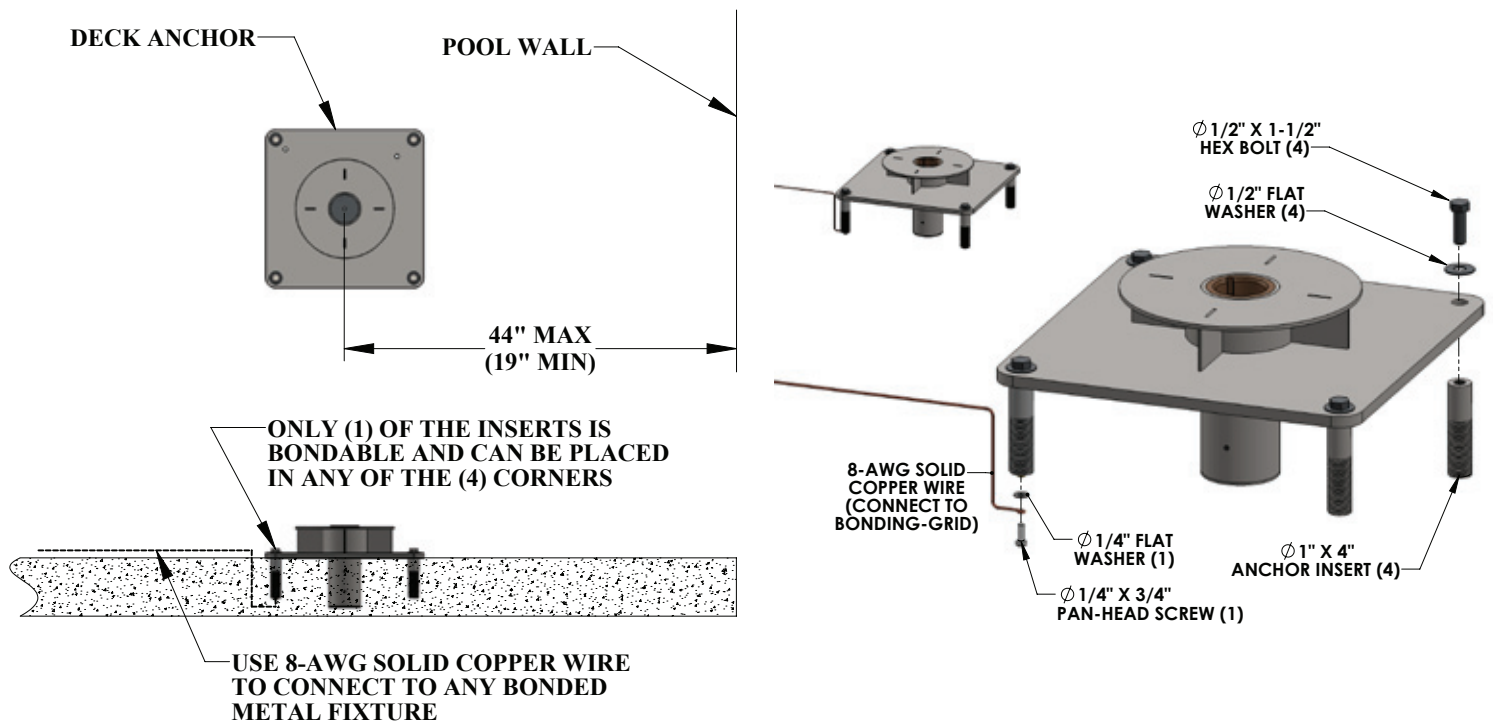
Scout Excel Deck Anchor Installation Cont.

STEP 6 – Assemble the Deck Anchor with the 8-AWG solid copper wire connected.

STEP 7 – Fill holes half full of 2-part anchor adhesive*. Mix epoxy adhesive per manufacturer's instructions.

STEP 8 – Install fully assembled Deck Anchor into holes. Press down until Deck Anchor is flush with deck. Attach 8-AWG solid copper wire to bonding grid per local electrical code**.

Allow 24 hours minimum for adhesive to cure before installing the lift.



*Aqua Creek recommends either Hilti™ brand HIT RE-500-SD or Simpson™ brand SET XP or equivalent.

**For more information on bonding see NEC Article 680.26.

Mighty Installation: ADA Guidelines

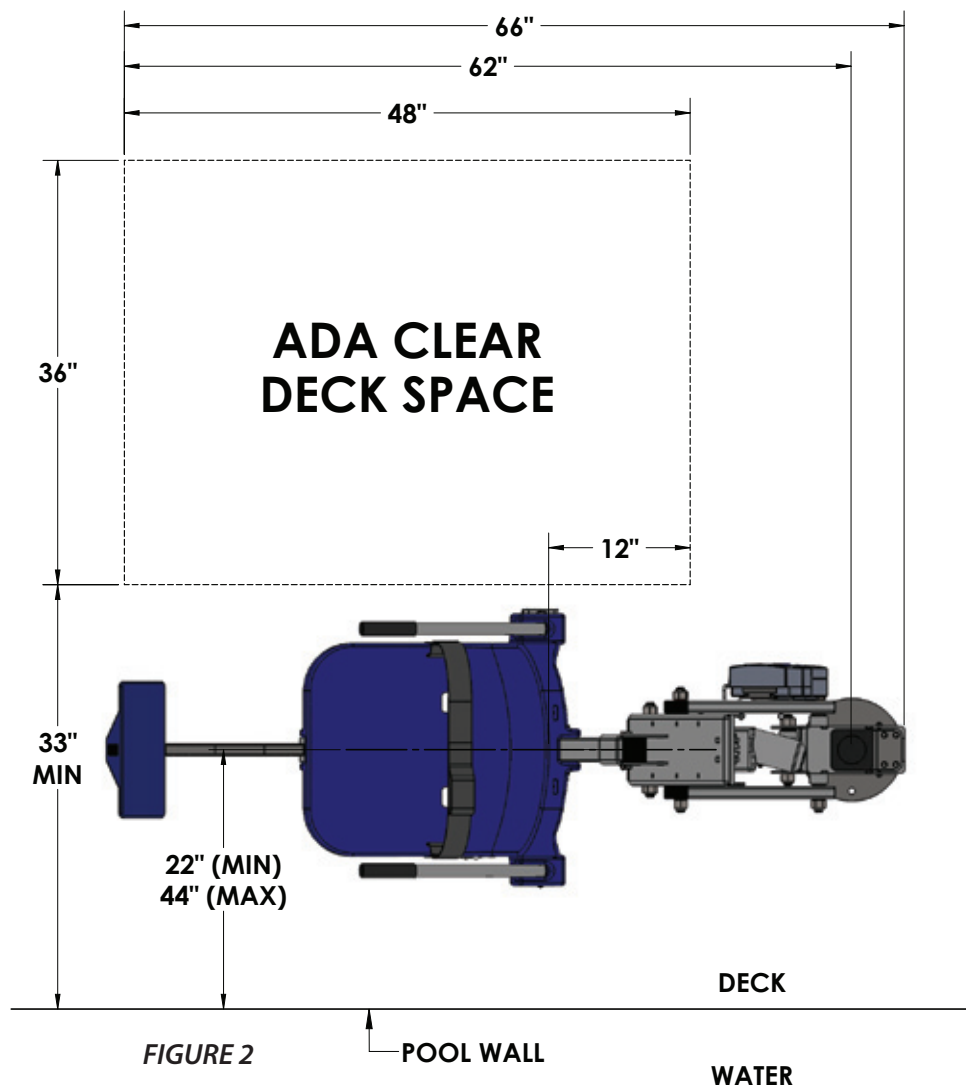
ADA REQUIREMENTS (For Commercial Applications):

The Mighty lift is completely ADA compliant when installed correctly.

The installation must meet the following requirements:

- Clear deck space dimensions (see FIGURE 2)
- Install lift a minimum of 24 inches from the pool edge
(For curved pool walls contact Aqua Creek for placement)
- Deck slope no greater than 1:48
- The seat must be submerged at least 18 inches into the water. The lift should be installed at a location with 42-48 inches of depth (deck to pool floor)

NOTE: Other requirements may be necessary based on local code requirements. The anchor system should be bonded according to NEC Section 680 and/or local code requirements.



Mighty Deck Anchor Installation

NOTE: Minimum concrete pad size for this anchor and lift combination is 5'-0" x 5'-0" x 6" deep.

After selecting a location for the Mighty Lift the anchors will need to be marked and drilled. This will require the following tools –

- 3-1/2" & 1-1/4" Core Drill bits
- Core Drilling Rig
- Tape measure and level
- Marking pen
- Chisel and hammer

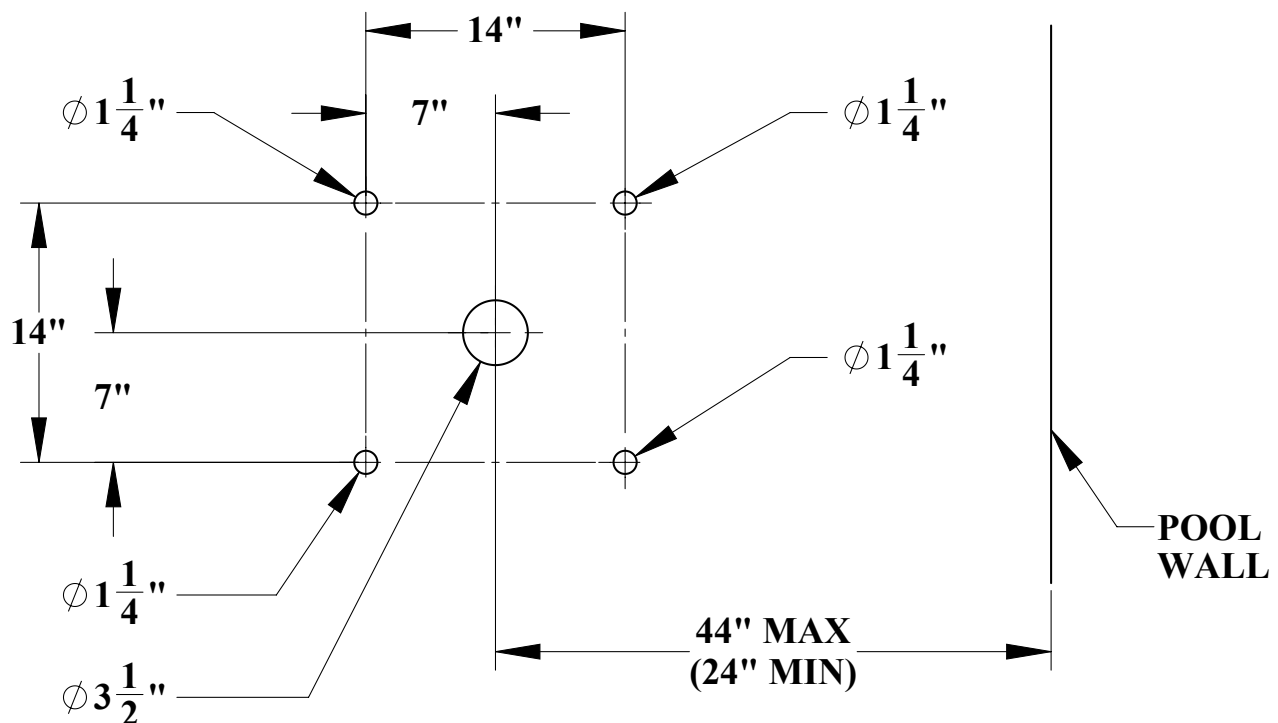
STEP 1 – Using the tape measure and marking pen, mark the centers for the five (5) holes according to diagram below.

STEP 2 - Drill the four (4) corner holes using the 1-1/4" core drill bit and drilling rig. Drill to a depth of at least 4".

STEP 3 – Drill the center hole with the 3-1/2" core drill bit and drilling rig. Drill to a depth of 5-1/2".

STEP 4 - Remove the cores from the holes using a hammer and chisel. The holes should be completely dry and clear of any debris before installing the anchors into them.

STEP 5 – Provide a path for bonding one (1) of the corner anchors, where required. Bonding is typically accomplished with a piece of 8-AWG solid copper wire connected to the bonding screw on the bondable insert (one of the four 1" x 4" anchor inserts).



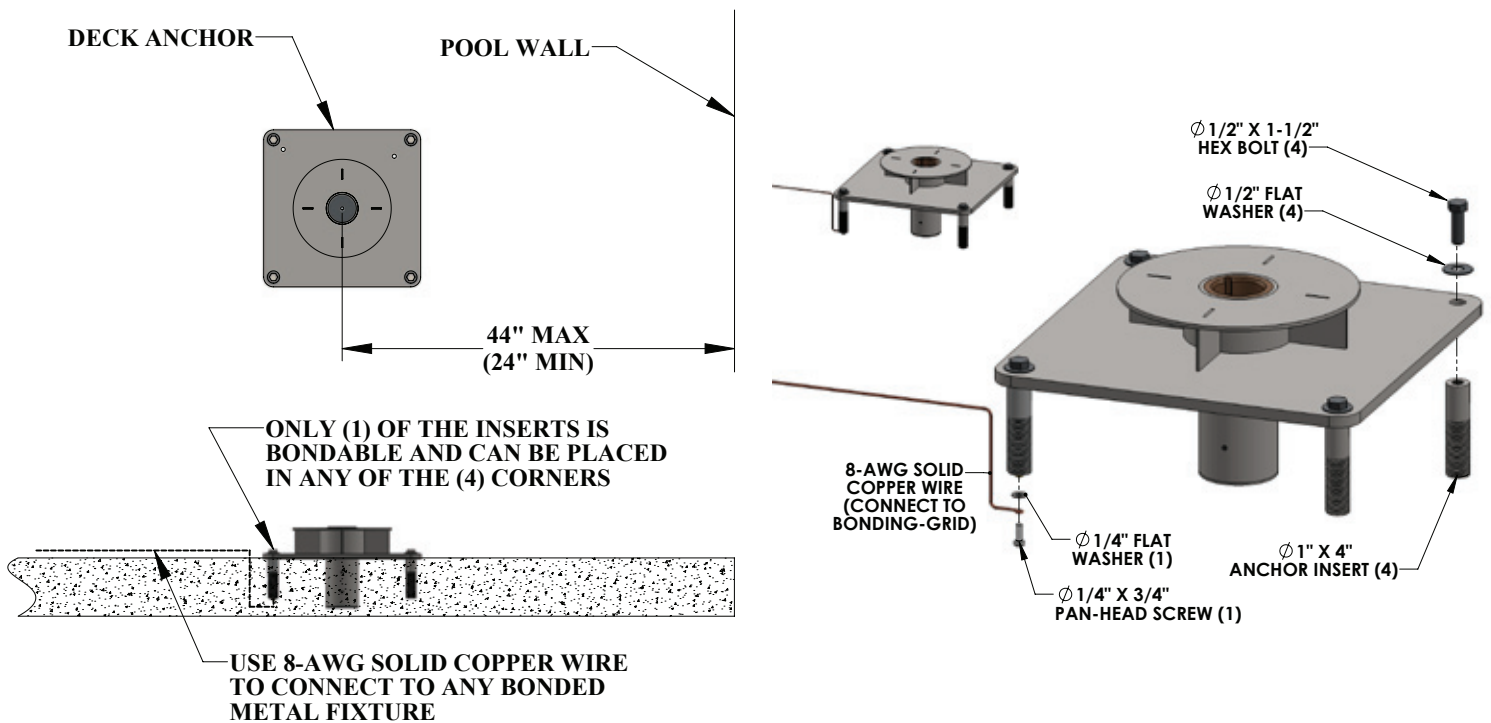
Mighty Deck Anchor Installation Cont.

STEP 6 – Assemble the Deck Anchor with the 8-AWG solid copper wire connected.

STEP 7 – Fill holes half full of 2-part anchor adhesive*. Mix epoxy adhesive per manufacturer's instructions.

STEP 8 – Install fully assembled Deck Anchor into holes. Press down until Deck Anchor is flush with deck. Attach 8-AWG solid copper wire to bonding grid per local electrical code**.

Allow 24 hours minimum for adhesive to cure before installing the lift.



*Aqua Creek recommends either Hilti™ brand HIT RE-500-SD or Simpson™ brand SET XP or equivalent.

**For more information on bonding see NEC Article 680.26.

Lift Installation

Slide the lift into the anchor. Rotate the lift around until the hole in the lifts base plate lines up with the hole in top plate of the anchor. Install the 1/2" bolt and hardware to secure the lift to the anchor. See picture below.

