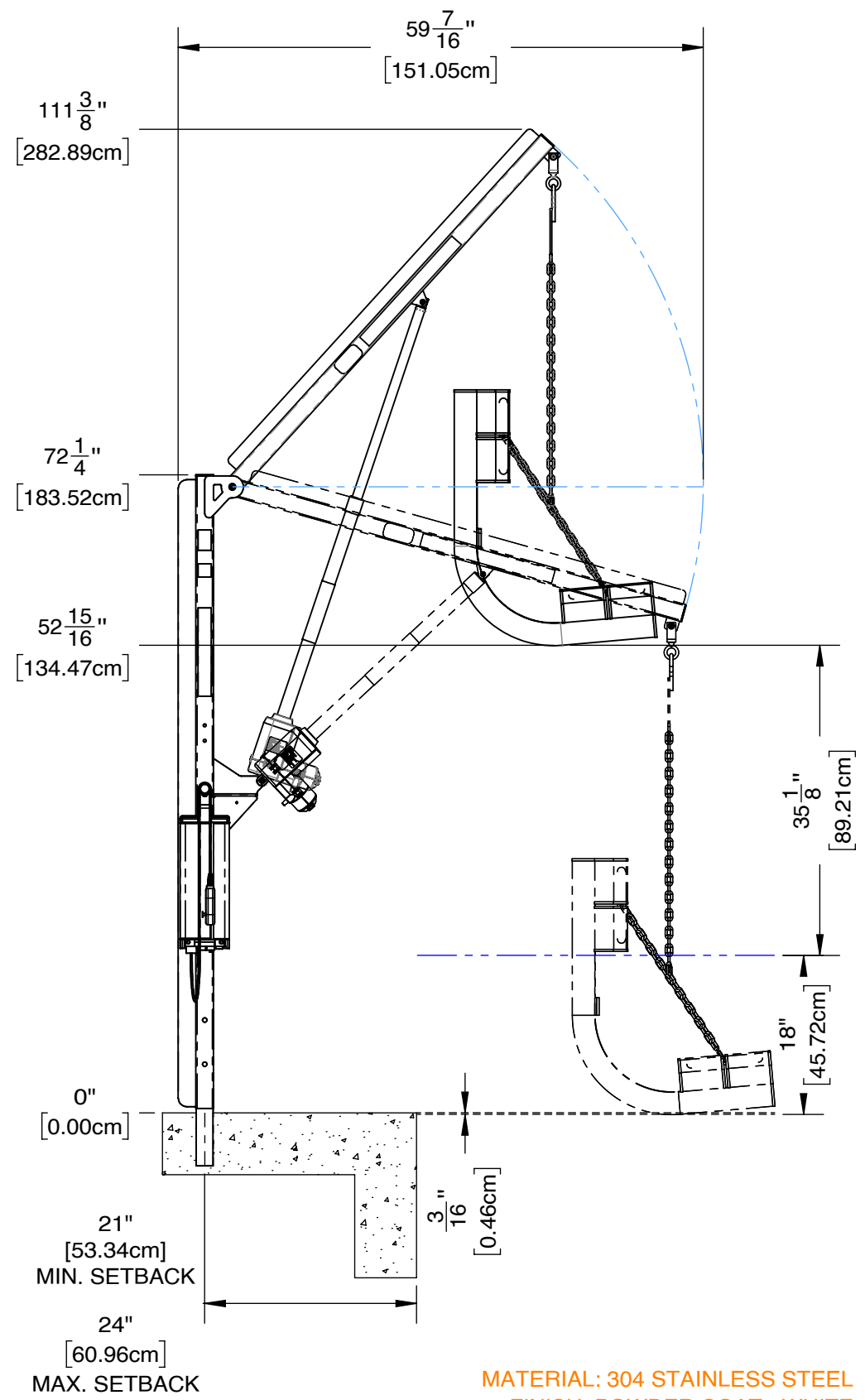
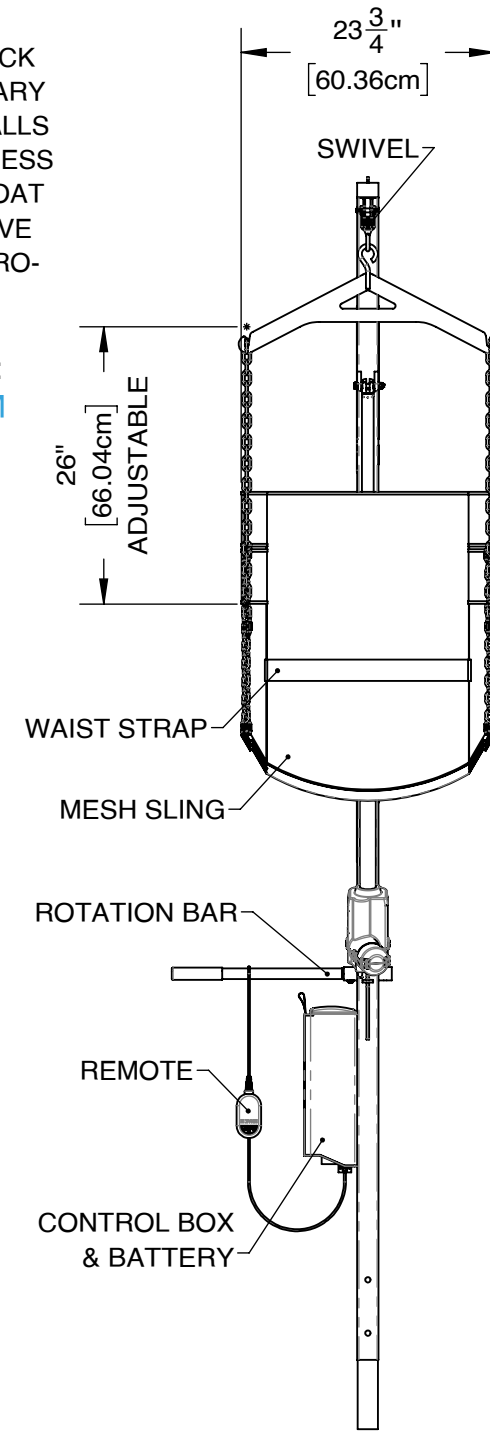
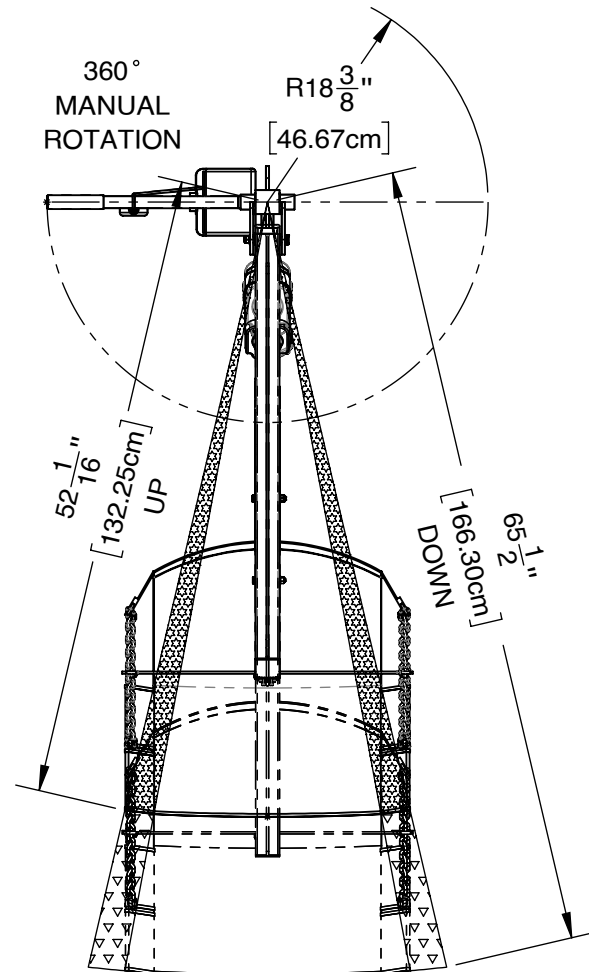
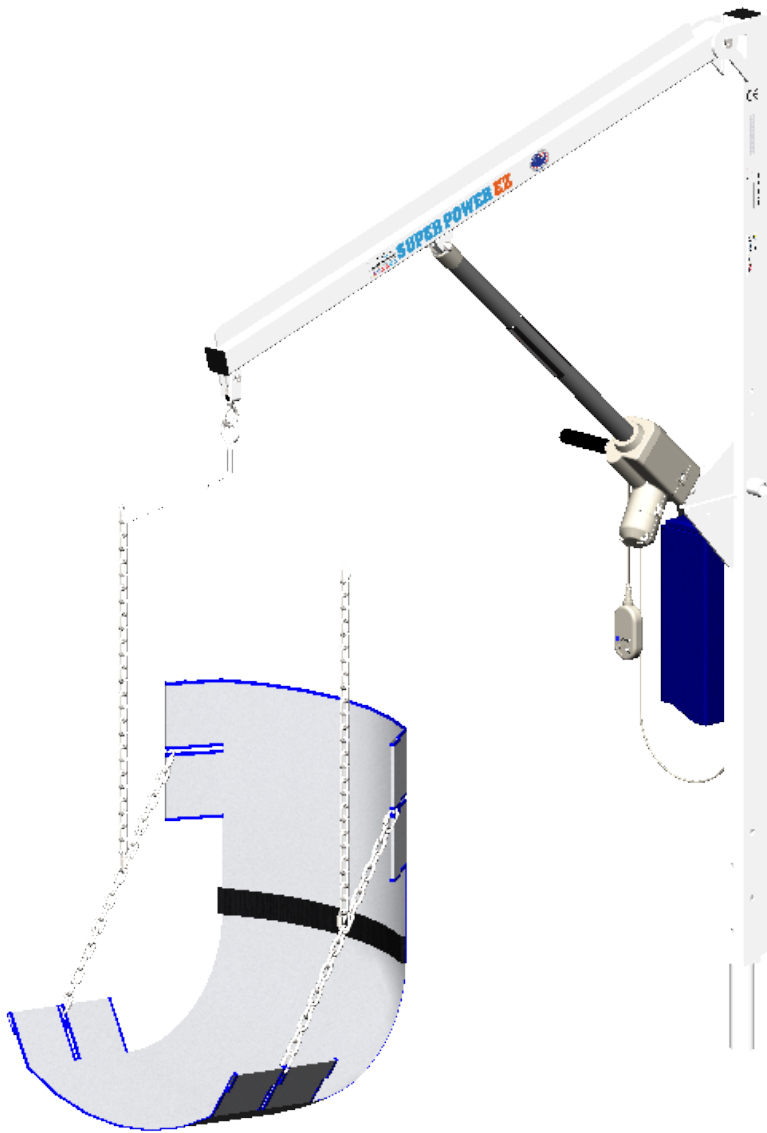


FEATURES

- ◆ 300 LB. (136 KG.) WEIGHT CAPACITY
- ◆ SETBACK RANGE 20" TO 30" (50 - 76 cm)
- ◆ CLEARANCES VARY BY WALL HEIGHT & WIDTH WATER
- ◆ CLEARS WALLS UP TO 58" (147cm)
- ◆ 360° ROTATION
- ◆ ALL STAINLESS STEEL CONSTRUCTION
- ◆ DURABLE POWDER COAT FINISH
- ◆ FULLY ADJUSTABLE MESH SLING
- ◆ FIVE YEAR STRUCTURAL WARRANTY
- ◆ FIVE YEAR PRO-RATED ELECTRONICS WARRANTY

CLICK HERE TO VIEW THIS PRODUCT:
[HTTPS://AQUACREEKPRODUCTS.COM](https://aquacreekproducts.com)



TOLERANCES
DIMENSIONS ARE IN INCHES UNLESS OTHERWISE SHOWN
FRACTIONAL: ±1/16
ANGULAR: ±1°
TWO PLACE DECIMAL: ±.01
THREE PLACE DECIMAL: .. ±.005

BREAK & DEBURR ALL SHARP EDGES

SUPER POWER EZ
CATALOG NO. F-194PHBL-NA
PART NO. INV01427
WEIGHT CAPACITY: 300lbs. [136.07kg.]

MATERIAL: 304 STAINLESS STEEL
FINISH: POWDER COAT - WHITE
APPROX. WEIGHT: 159.56 LBS.



9889 GARRYMORE LANE
MISSOULA, MT 59808
(406) 549-0769
FAX (406) 549-2602
www.AquaCreek.com
© 2021 AQUA CREEK PRODUCTS. ALL RIGHTS RESERVED.

PROPRIETARY AND CONFIDENTIAL INFORMATION
THIS DRAWING AND ALL INFORMATION CONTAINED HEREIN IS THE SOLE PROPERTY OF AQUA CREEK PRODUCTS LLC. ANY REPRODUCTION IN PART OR AS A WHOLE WITHOUT WRITTEN PERMISSION FROM AQUA CREEK IS PROHIBITED.
*SPECIFICATIONS ARE SUBJECT TO CHANGE WITHOUT NOTICE

REVISIONS			
REV.	DESCRIPTION	DATE	APPROVED
P2	CHANGED FROM ROUND TUBE TO SQUARE TUBE - ANCHOR DIA. CHANGE	7/22/2022	J.MAXWELL
3	SWAPPED ACTUATOR TO INV03072	9/12/2023	D.WILHM