

HELIOS

MULTIGYM

The science of biomechanics, solid design, and tamperproof construction combine to bring you the HELIOS outdoor fitness multigym.



Real Fitness Equipment for Real Results

The HELIOS Multigym takes the basics of commercial indoor fitness equipment and delivers it to the outside world in a tamperproof, durable and weatherproof package.

Compact, cost effective and completely safe, the HELIOS is designed for any fitness level or ability.

 **TAMPERPROOF.**  **WEATHERPROOF.**  **SAFE.**

PROVEN TOUGH

The HELIOS has been proven tough in locations across North America and around the world. Installed in parks & playgrounds, correctional facilities, military bases, corporate campuses, and even on board military ships, the HELIOS has earned its reputation for strength, durability, and real exercise.

11+ DIFFERENT EXERCISES

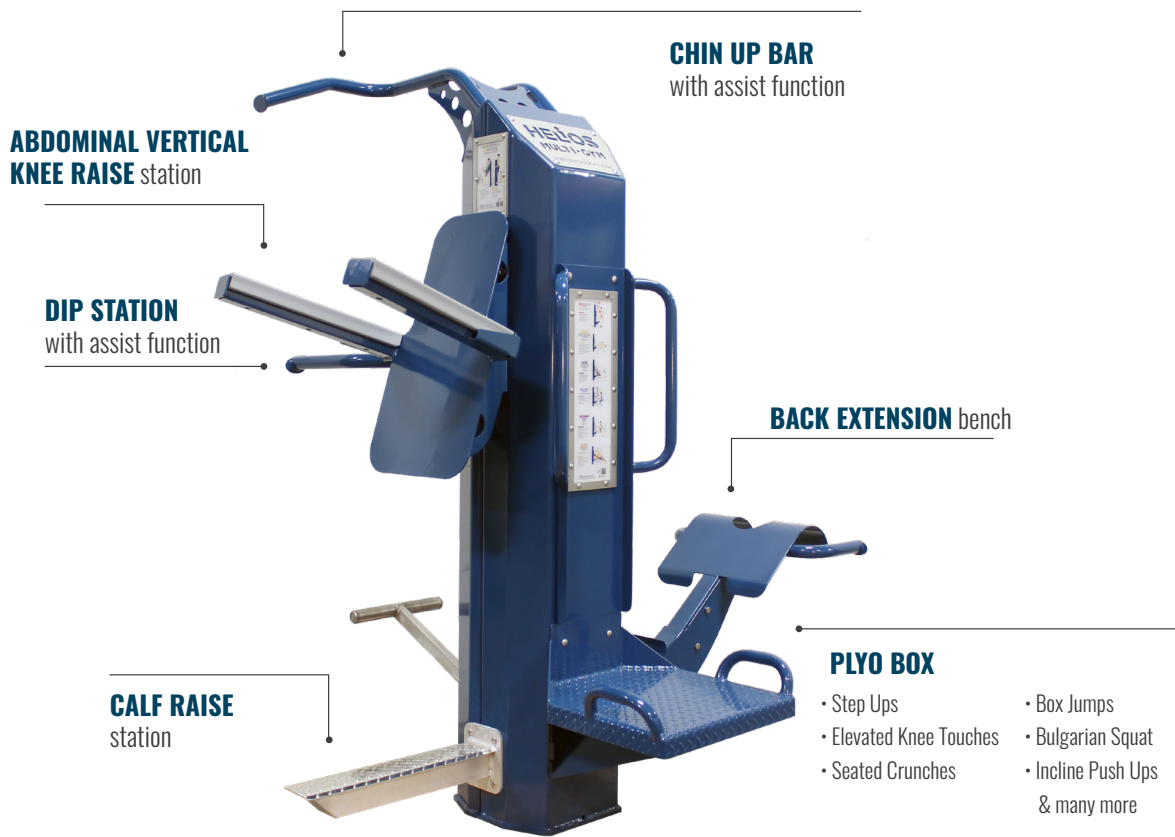
The HELIOS is designed with over 11 different exercises, offering a full body workout.

With adjustability where needed and our unique chin/dip assist mechanism, the HELIOS Multigym is suitable for users of all fitness levels.

4 SIMULTANEOUS USERS

The HELIOS helps make the most of your space, with up to four people using the equipment at once.

The HELIOS is built to maximize indoor or outdoor exercise areas, with 11 exercises available:



TECHNICAL SPECIFICATIONS



Width: 80" / 204 cm

Length: 65" / 166 cm

Height: 85" / 216 cm

Weight: 620 lbs / 282 kg

Fall Height: 84" / 213cm

Use Zone: 12'8" x 11'9"

Shipping Weight: 748 lbs / 340 kg

Shipping Dimensions: 44" wide x 54" long x 85" high /
112 cm wide x 137 cm long x 216 cm high



Instructional Placards: Reverse print with UV-stabilized ink on 1/4" thick Lexan. Bolted to the columns with a stainless steel trim ring using stainless steel carriage bolts.

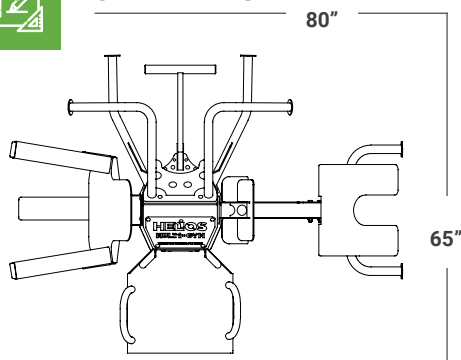
Frame: Constructed of 3/16" and 1/4" thick heavy-duty steel. All fasteners are tamperproof stainless steel carriage bolts with a smooth, rounded head and square neck. The locking nuts are shielded behind a padlocked access hatch.

Finish:

- All parts have surfaces prepped and cleaned of all mill scale, rust, oils, and dirt using shot blast and/or chemical wash.
- Primer coat is applied with epoxy zinc-rich primer (3-4 mil thickness) and cured in oven.
Primer designed for superior rust protection. Tested for 3000 hours of salt spray resistance.
- Top finish coat is applied with TGIC-FREE weather-resistant polyester powder (3-4 mil thickness) and cured in oven.
Tested for 1500 hours of salt spray resistance.
- All parts inspected to be free of paint defects prior to shipping.



CAD DRAWING



HELIOS
MULTIGYM



Accessibility: It is the manufacturers' opinion that the Helios Multigym conforms to the A.D.A. accessibility standard, assuming an accessible protective surfacing is provided or within the entire use zone.