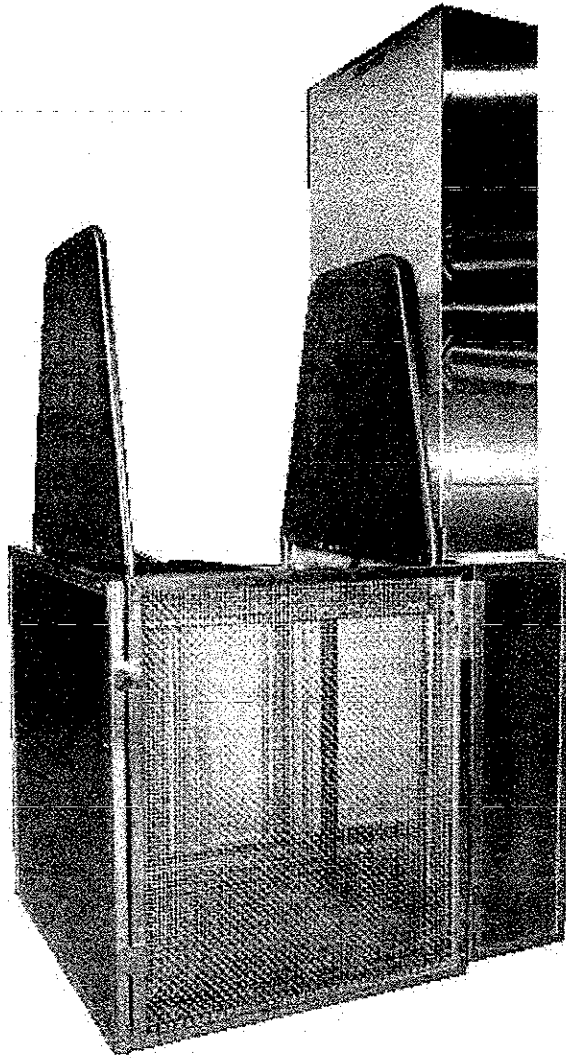


Swim-Lift® Series

Model Glacier

26400-00



SPECTRUM
Products®

7100 Spectrum Lane ~ Missoula, Montana 59808
800.791.8056 ~ www.spectrumproducts.com

How your new Swim-Lift® Series Model Glacier should arrive

Main lift skid:	Approximately 42" x 126" x 62" high
Approximate weight:	1300 lbs
Options:	Items such as self-closing gates or side panels may ship on a separate skid or packaged on top of the main lift skid.

Tools required for Install

Hammer
Flat blade and Philips head screw drivers
Standard end wrench set
Standard socket set
Standard Allen wrench set
½" dia. Drill bit for drilling concrete
Power drill for above mentioned bit

Optional Equipment

Crane or forklift
Chain hoist

Installation

1. Remove packaging materials from lift skid and any components shipped with the main lift skid. Check for any damaged components. (If items are damaged it is the owners responsibility to file a freight claim. If you have any questions about this procedure please contact our Customer Service department at 800.791.8056.
2. Attach the lift mounting legs and platform support legs using the ½" hardware included. Using 4-6 people, a forklift, or some type of hoist, stand the unit upright.
3. Attach the lift platform to the two platform support legs using the 3/8" x 1" button head cap screws.
4. Attach the platform handrails to the platform.
5. If you ordered your unit with the optional self-closing lower gate the side panel or latch support frame needs to be installed at this time. Slide the side panel or latch support horizontal legs into the end of the lift mounting legs. Leave loose at this time.
6. Lowering lift into position: with the help of 4-6 people or the aid of the listed optional equipment, carefully lower the unit into position on the pool floor. Be extremely careful not to damage the water connection, lifting control handle, or side panel and latch support.
7. Connect the 55 psi water supply to the lift. The water connection is generally located at the back of the lift housing. The hose is shipped inside the unit housing. Take off the lower rear fascia panel and feed the hose through the fascia panel with the white plastic grommet. Connect this to your water source. Run the platform to its fully up position and back down at least 3 times. This

should work any air out of the system. Leave the platform in the fully up position after exhausting air from the system.

8. Square the lift platform up to the pool deck edge. This is done by moving the entire lift assembly. There should be a small gap (3/8"max) between the platform edge and the deck edge.
9. Attach the self closing gate to the lift housing using the 3/8" x 1" hex head bolt.
10. Tighten the side panel or latch support by tightening the screws on the side of the lift mounting support legs. Make sure the side panel or latch support is level in all directions. Lower the platform to the fully down position. Check for clearance between the platform and side panel or latch support. Now close the gate and make sure the gate catch enters the latch window without problems. The gap between the gate frame and the latch frame should be about 1/4" from top to bottom, and the outside edges of the frame should be flush when the gate is closed. Adjust the gate and latch support as necessary. Run the lift up about 6". Pull on the gate to make sure it is locked. Lower the platform back down and make sure the gate unlocks. Make any necessary adjustments to the gate, side panel, or latch support.
11. After the side panel or latch support is positioned where it needs to be, it needs to be anchored to the deck. Mark where the hole needs to be drilled. In order to drill the hole you may have to move the lift and attachments. Using the 1/2" diameter drill bit, drill a hole about 1 5/8" deep. Clean the hole out. Insert the 3/8" S.S. drop-in anchor into the hole. Place the 3/16" diameter set rod included with the anchor into the anchor. Using a hammer drive the rod into the anchor. This should set the internal anchor wedge. Remove the rod and put the lift back into position. Using the provided anchor hardware, secure the side panel or latch support. Installation is complete.
12. Locate a bonding source to bond (ground) the lift. The steel rebar-bonding grid of the pool deck is the best choice for bonding the unit. Attach a No. 8 solid copper wire (NEC Section 680-22) from the bonding bolt on the base of the lift to the bonding grid.

Operation

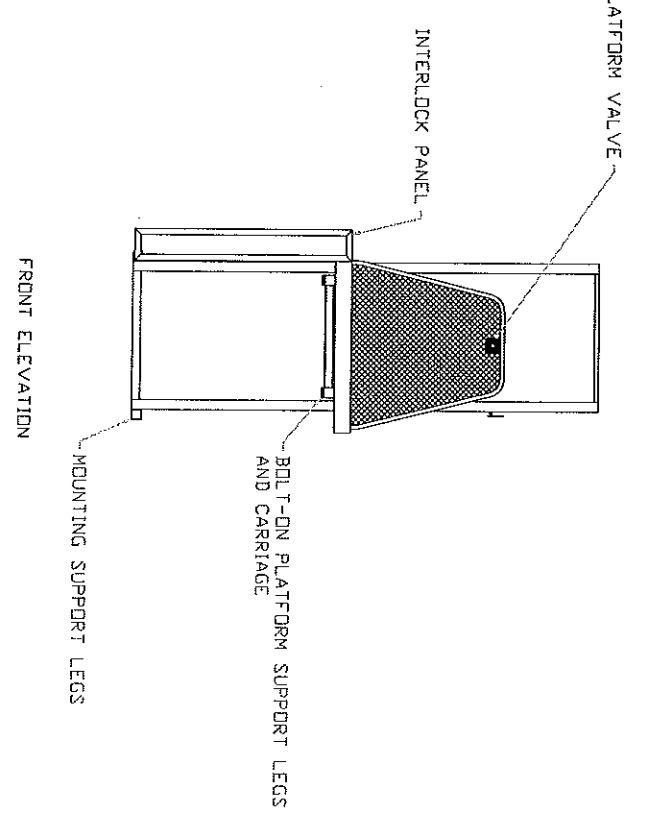
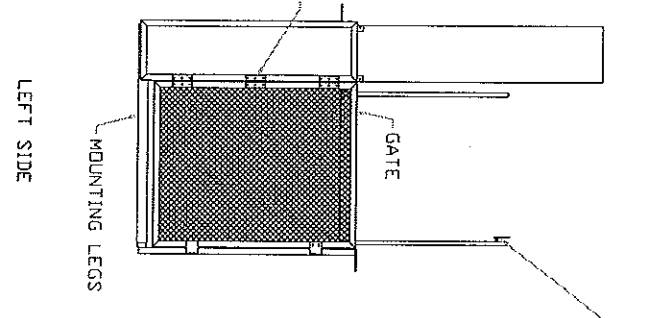
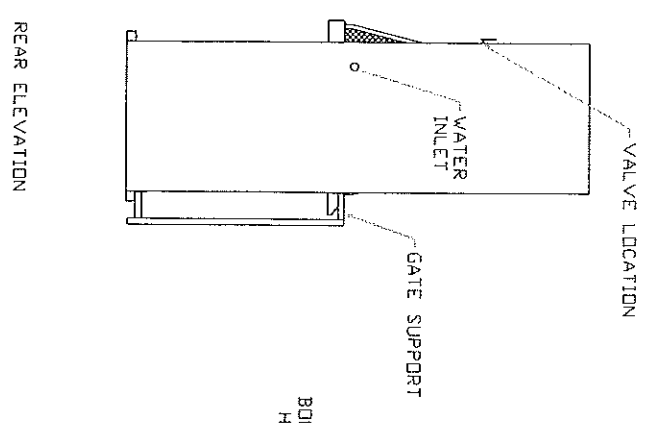
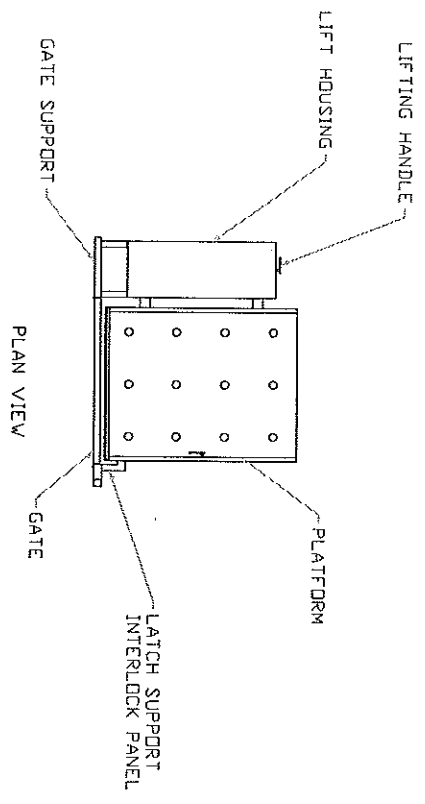
The Glacier is a water powered lift. The control valve is located on the unit housing facing the upper deck. Optional platform controls are also available. To raise or lower the platform, simply move the valve control lever in the direction labeled near the handle. The gate should only open when the platform is at the gate landing. If the gate opens when the platform is away from the landing contact the installer to make the necessary adjustments.

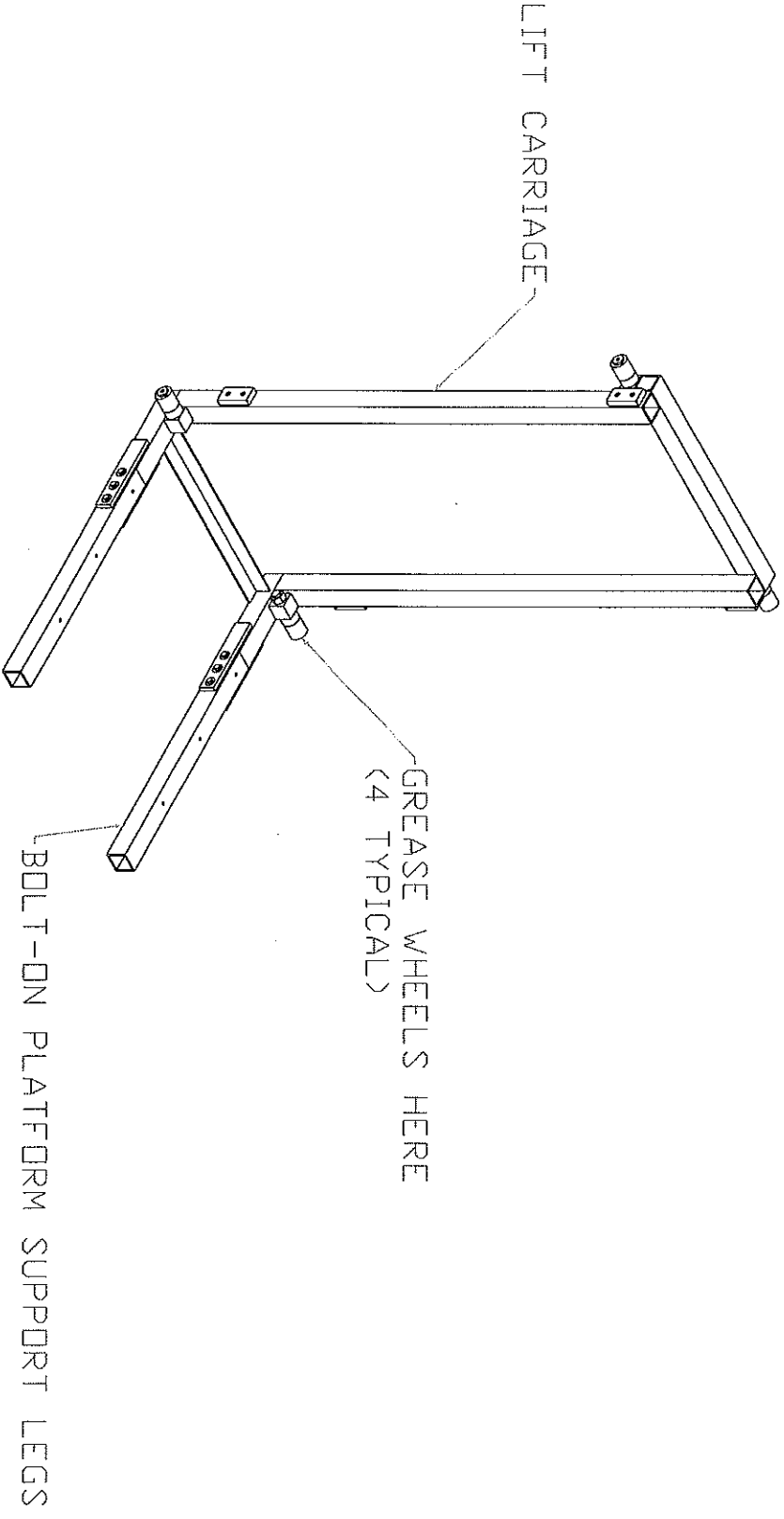
The lift is rated to lift 600 pounds with 55 psi water pressure. If your facility does not have 55 psi the following may happen:

1. The lift will not lift 600 pounds
2. The lift will operate slowly

Maintenance

The Glacier is virtually a maintenance free lift. Because the lifting cylinder is powered by water it is self-lubricating. The lifting carriage wheels will require grease every 6 months to a year depending on use. Use a marine grease or Vaseline as the lubricant.





LIFT CARRIAGE

GREASE WHEELS HERE
(4 TYPICAL)

BOLT-ON PLATFORM SUPPORT LEGS