

EZ Surface Mount Anchor

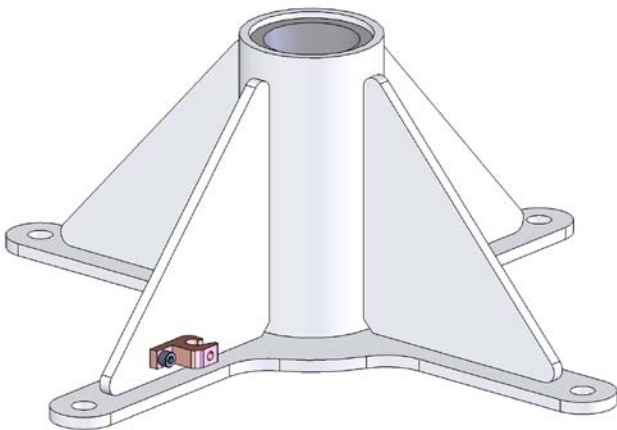
PART #: F-035EZSM

MANDATORY

LEAVE THIS MANUAL WITH LIFT OWNER

Read and follow all instructions.
Lift safety can only be ensured if the lift is installed and operated according to these instructions.

- NEVER permit children to play on or around the lift
- Do not allow children to use the lift without adult supervision
- NEVER apply direct water pressure to the electronics
- NEVER use the lift with a dry pool



READ CAREFULLY

Check entire box and all packing materials for parts. Before beginning assembly, read the instructions and identify parts using the figures and parts listed in this document.

It is critical that all parts be carefully inspected prior to installation. If any damage occurred in transit, Aqua Creek Products, LLC must be notified within three days of receipt of unit.

Proper installation cannot be overstressed, as an improper installation voids Aqua Creek's warranty and may affect the safety of the user.

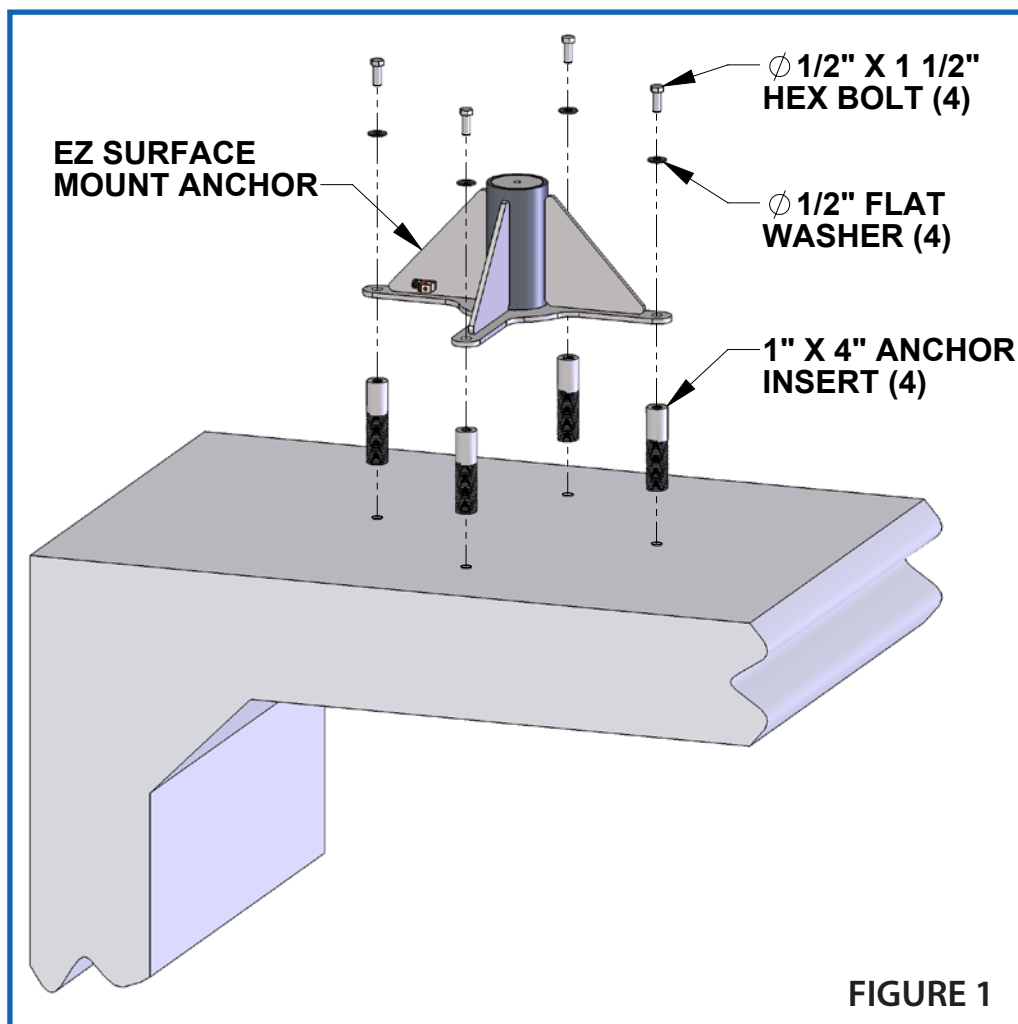
Packing List & Installation Instructions

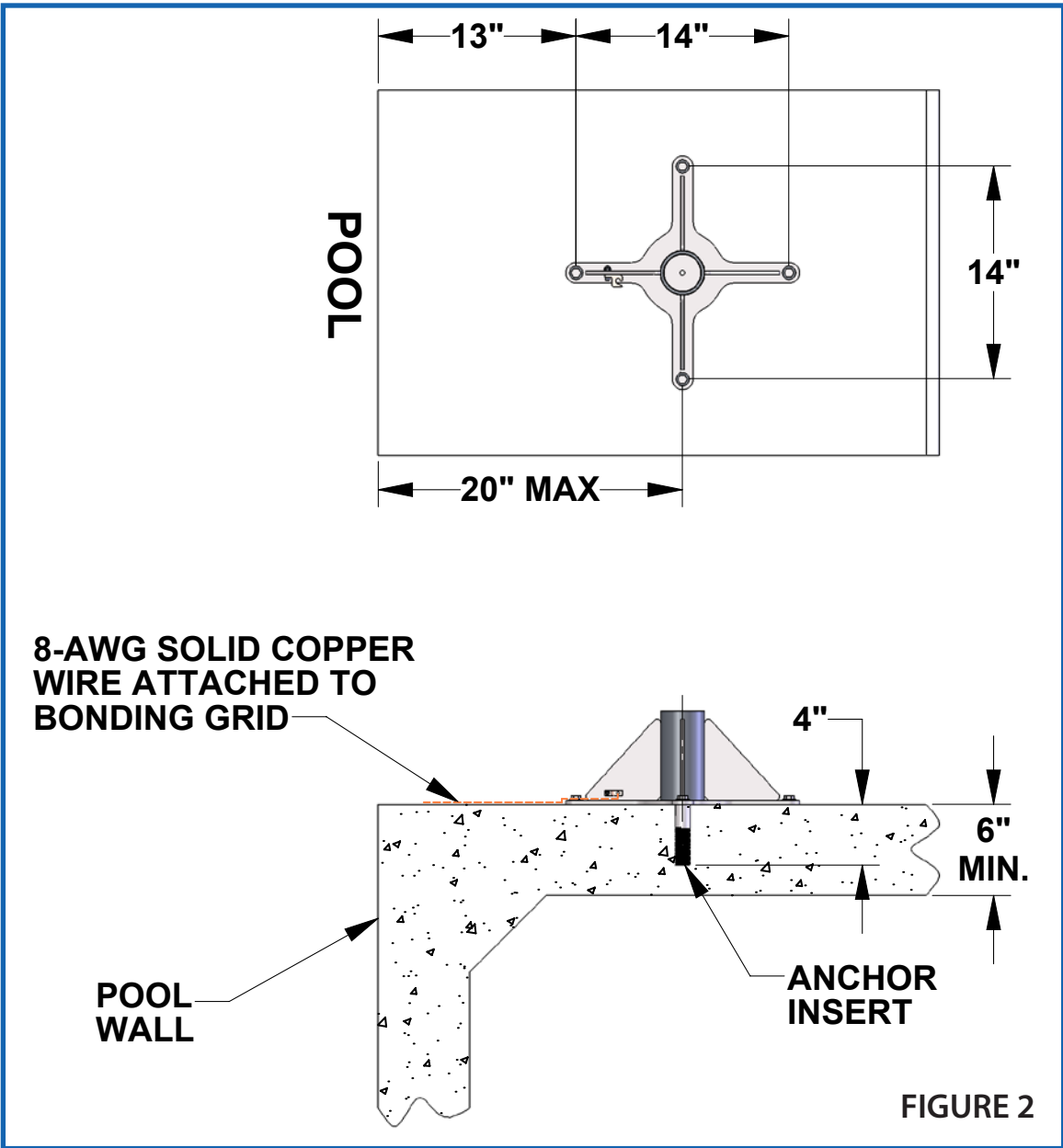
PACKING LIST:

QTY	DESCRIPTION
1	SURFACE MOUNT ANCHOR, EZ
4	WASHER, FLAT, 1/2, 316 SS
4	BOLT, 316 SS, 1/2 X 1 1/2 HCS
4	ANCHOR INSERT, 1" x 4"

INSTALLATION INSTRUCTIONS:

1. Find the desired location for the lift. The setback (the distance from the center of the anchor to the inside pool wall) can be no more than 20" as shown in FIGURE 2 on the next page.
2. Using the anchor as a template, drill four (4) 1 1/2" holes at the four bolt locations to a depth of 4 1/2". Clean all debris from the hole.
3. Fill the holes 1/2 full with two part construction epoxy.
4. Set the 1" x 4" anchor inserts into the holes. Wiggle inserts to be sure the epoxy gets on all sides. Make sure the anchors end up flush with the concrete's surface.
5. Mount the SURFACE MOUNT ANCHOR to the deck using four (4) 1/2" x 1" hex bolts, and four (4) 1/2" flat washers. Tighten the bolts until snug plus 1/2 turn.





CHECK YOUR LOCAL ELECTRICAL CODES FOR: BONDING REQUIREMENTS FOR POOL EQUIPMENT. ALWAYS BOND UNIT PER LOCAL ELECTRICAL CODES.