

# design TOSCANO®

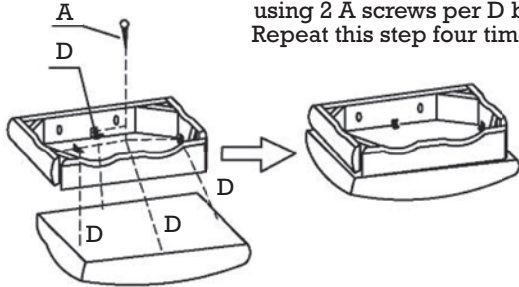
## INSTRUCTIONS FOR YOUR PRODUCT

DY-4313  
The Kenmore Manor Hall Stand

Thank you for your recent purchase of this Design Toscano hand-crafted piece of furniture art. We have taken great care to create this piece especially for you. Please review these instructions and assemble this piece with care. Do not over tighten any screw or bolt connection.

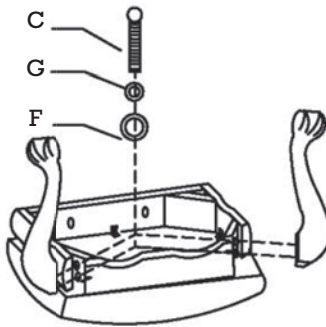
### Step 1

Connect cushion to seat base using 2 A screws per D bracket. Repeat this step four times total.



### Step 2

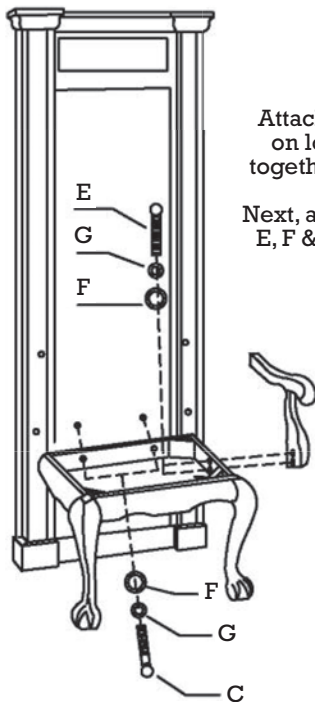
Place leg into cushion corner and attach using C, F & G. Repeat this step two times total for each leg.



### Step 3

Attach seat base to wood back on lower holes with C, F & G together. Repeat two times total.

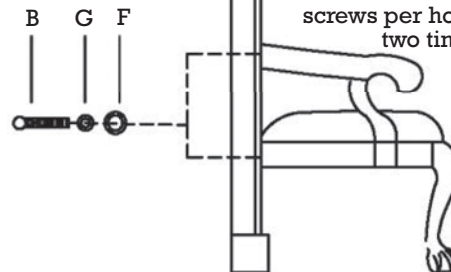
Next, attach arm to base by using E, F & G. Repeat two times total for each arm.



### Step 4

Attach arm to wood back and base to wood back by using B, G & F. Repeat four times total. Add cushion.

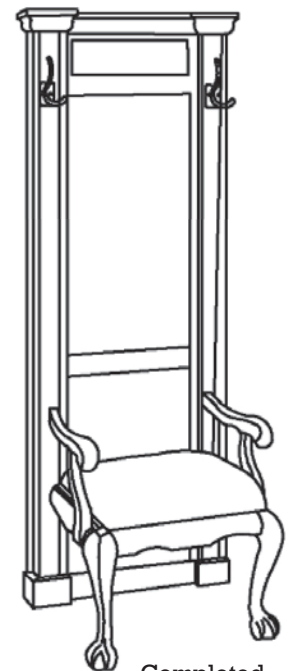
Lastly, attach H hooks to top of wood back by using 2 A screws per hook. Repeat two times.



Completed  
Hall Stand

### Parts

A (12 PCS) 1/2"	B (4 PCS) 3 1/2"	C (6 PCS) 2"	D (4 PCS)
E (4 PCS) 1 1/2"	F (14 PCS)	G (14 PCS)	H (2 PCS)
	(1 PC)		



©Copyright 2021, Design Toscano, Inc.

1.800.525.0733  
DESIGNTOSCANO.COM

THANK YOU  
FOR YOUR PURCHASE