

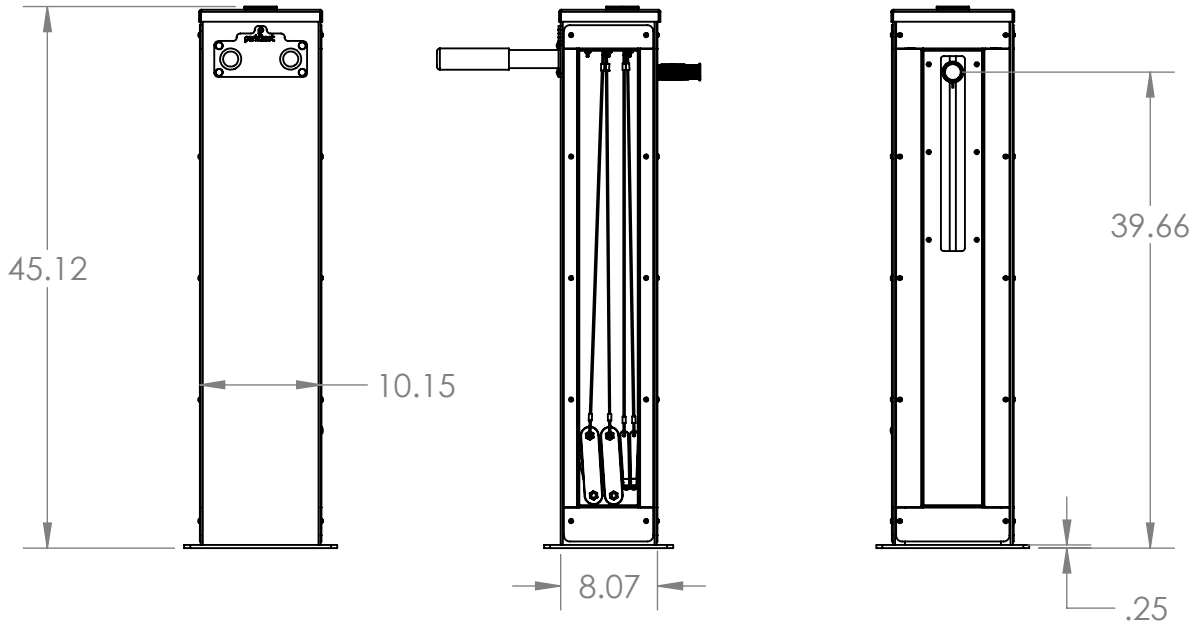
3

2

1

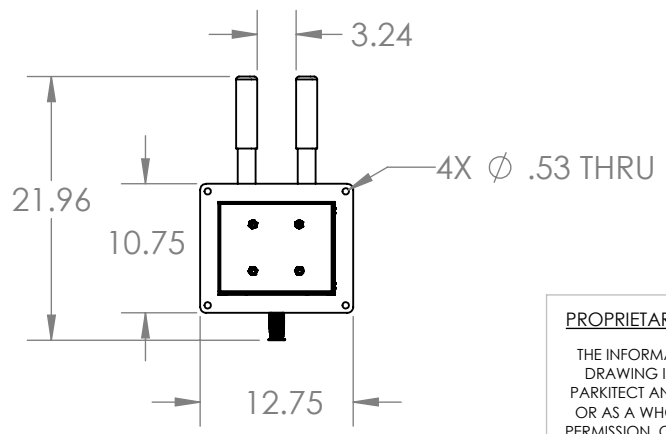
C

C



B

B



A

A

PROPRIETARY AND CONFIDENTIAL  
 THE INFORMATION CONTAINED IN THIS DRAWING IS THE SOLE PROPERTY OF PARKITECT ANY REPRODUCTION IN PART OR AS A WHOLE WITHOUT THE WRITTEN PERMISSION OF PARKITECT IS PROHIBITED.

|         | NAME | DATE |
|---------|------|------|
| DRAWN   | JJ   |      |
| CHECKED |      |      |
|         |      |      |
|         |      |      |



230 North Dual Blvd.  
 Isanti, MN 55040

TITLE:  
 BIKE PUMP AND REPAIR STATION

UNLESS OTHERWISE SPECIFIED:  
 DIMENSIONS ARE IN INCHES  
 TOLERANCES:  
 FRACTIONAL ± 1/16  
 ANGULAR: 1°  
 TWO PLACE DECIMAL ±0.030  
 THREE PLACE DECIMAL ±0.010

DIMENSIONS ARE IN INCHES [MILLIMETERS]  
 MATERIAL  
 Material <not specified>  
 FINISH

WEIGHT: 45.68  
 DO NOT SCALE DRAWING

| SIZE        | DWG. NO.     | REV |
|-------------|--------------|-----|
| A           | BP-1100      | B   |
| SCALE: 1:16 | SHEET 5 OF 5 |     |

3

2

1