

design **TOSCANO**<sup>®</sup>

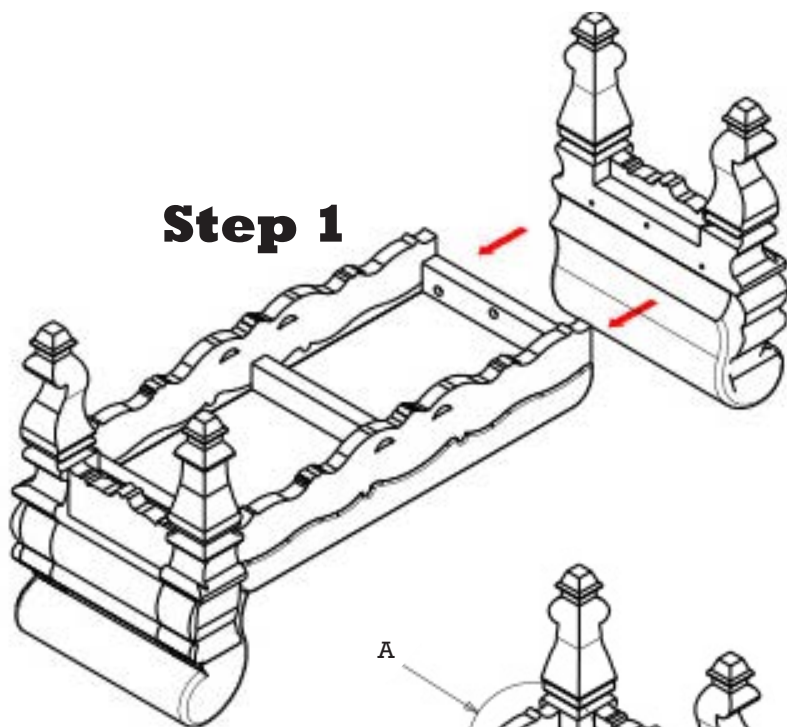
**INSTRUCTIONS  
FOR YOUR PRODUCT**

AF51693

The Arrondissement Tufted  
Double Rolled Arm Bench

Thank you for your recent purchase of this Design Toscano hand-crafted piece of furniture art. We have taken great care to create this piece especially for you. Please review these instructions and assemble this piece with care. Do not over tighten any screw or bolt connection.

**Step 1**



**Parts**



HEX KEY  
(1 PCS)

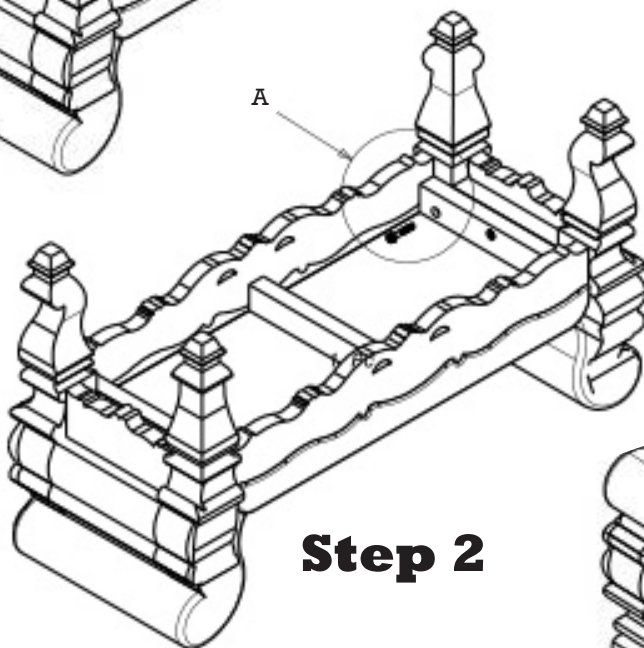


BOLT  
(6 PCS)



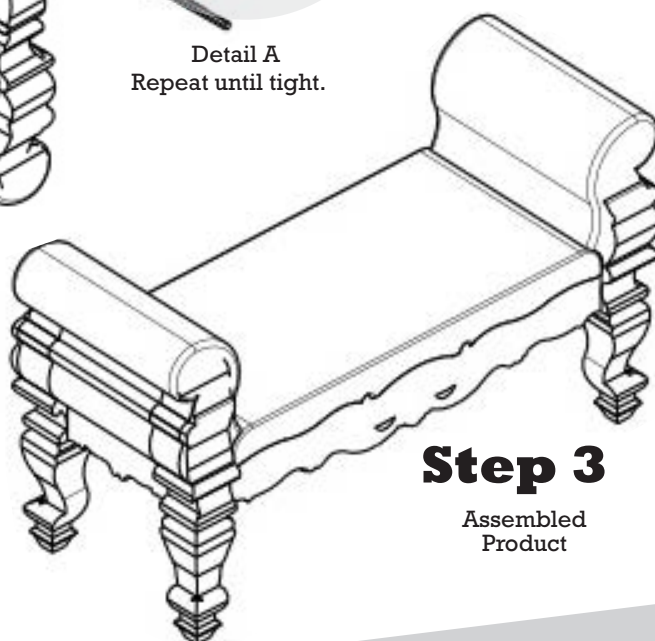
Detail A  
Repeat until tight.

**Step 2**



**Step 3**

Assembled  
Product



©Copyright 2022, Design Toscano, Inc.

1.800.525.0733  
DESIGNTOSCANO.COM

**THANK YOU  
FOR YOUR PURCHASE**