

design **TOSCANO**<sup>®</sup>

**INSTRUCTIONS  
FOR YOUR PRODUCT**

AF-51320  
Viollet-le-Duc Gothic Cathedral Side Chair

Thank you for your recent purchase of this Design Toscano hand-crafted piece of furniture art. We have taken great care to create this piece especially for you. Please review these instructions and assemble this piece with care. Do not over tighten any screw or bolt connection.

**Parts**

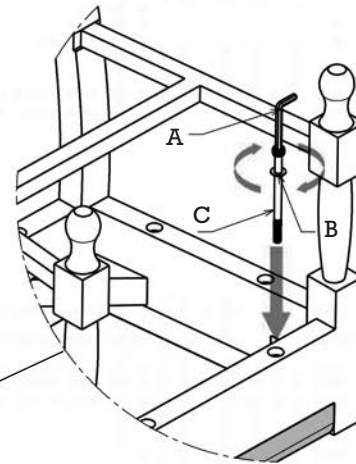
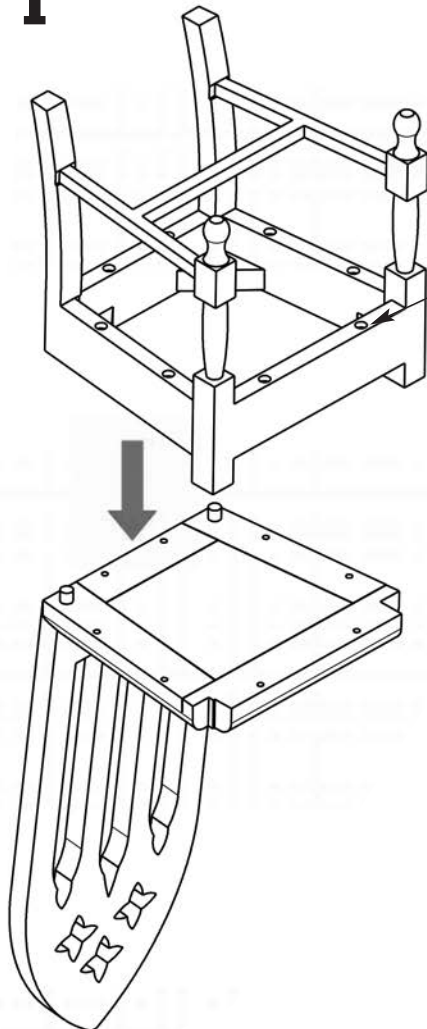
A (1 PC)

B (8 PCS)

C (8 PCS)

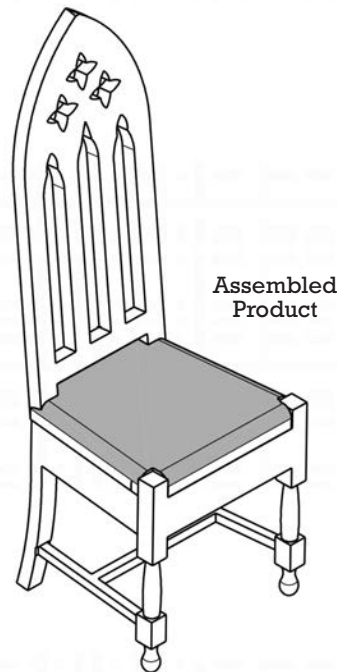


**Step 1**



**Step 2**

Repeat 8 times.



©Copyright 2018, Design Toscano, Inc.

1.800.525.0733  
DESIGNTOSCANO.COM

**THANK YOU FOR  
YOUR PURCHASE**