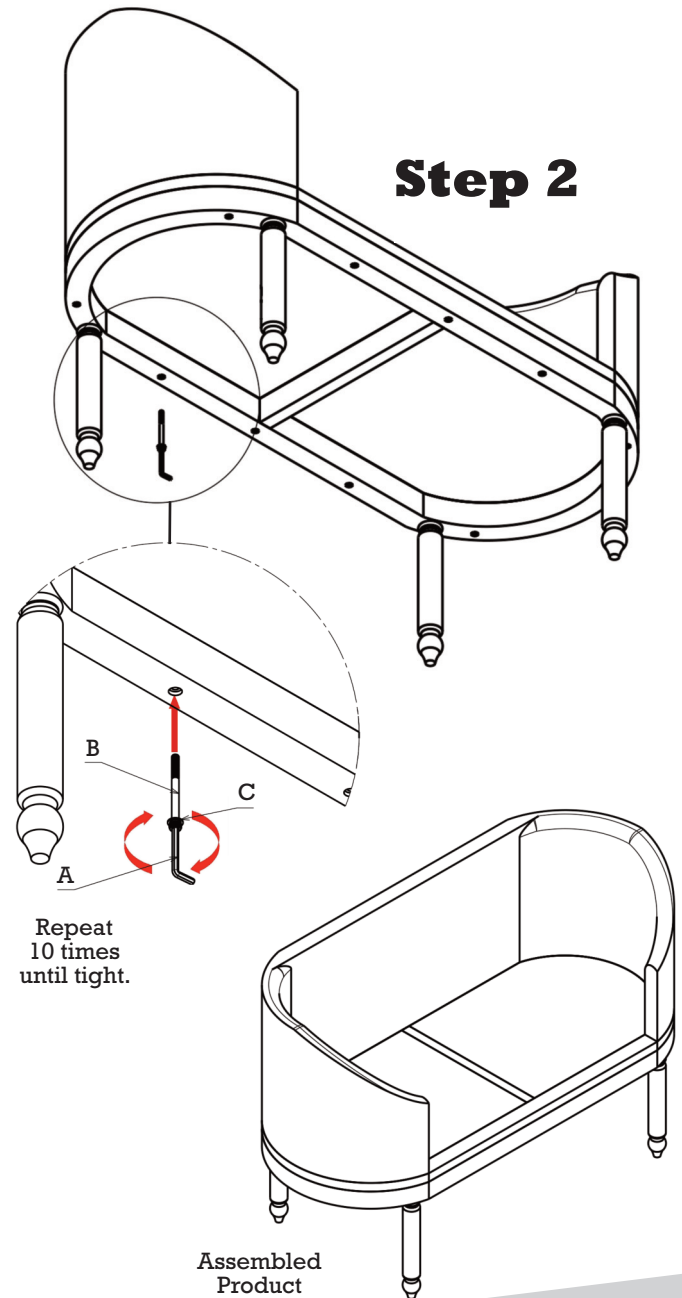
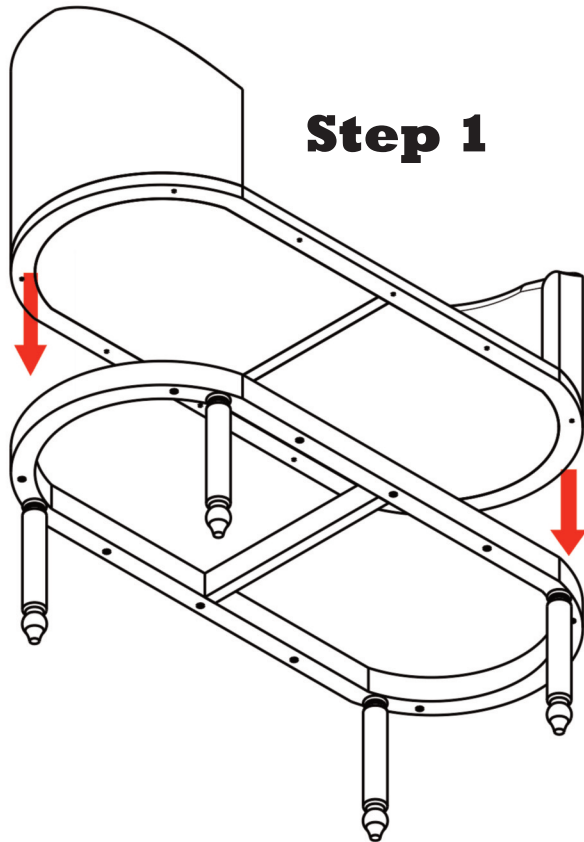
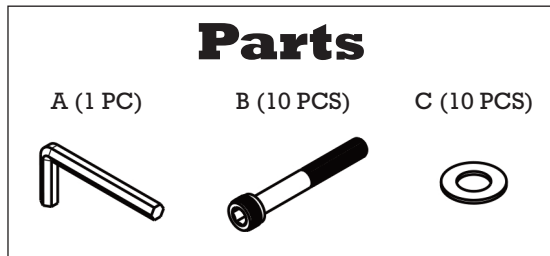


design **TOSCANO**[®]

AF-1316
Parisian Oval Rattan Settee

**INSTRUCTIONS
FOR YOUR PRODUCT**

Thank you for your recent purchase of this Design Toscano hand-crafted piece of furniture art. We have taken great care to create this piece especially for you. Please review these instructions and assemble this piece with care. Do not over tighten any screw or bolt connection.



©Copyright 2022, Design Toscano, Inc.

1.800.525.0733
DESIGNTOSCANO.COM

**THANK YOU
FOR YOUR PURCHASE**