

# POOL ACCESS CHAIR

USE THIS MANUAL FOR PART #'s:  
F-520SPM / F-520WSPM / F-520XWSPM  
ACCESS CHAIR 18" / ACCESS CHAIR 21" / ACCESS CHAIR 24"  
300 LB. [136 kg] / 350 LB. [158 kg] / 400 LB. [181 kg]

## MANDATORY

LEAVE THIS MANUAL WITH OWNER

Read and follow all instructions.  
Safety can only be ensured if the Pool  
Access Chair is installed and operated  
according to these instructions.

## FOR SAFETY REASONS

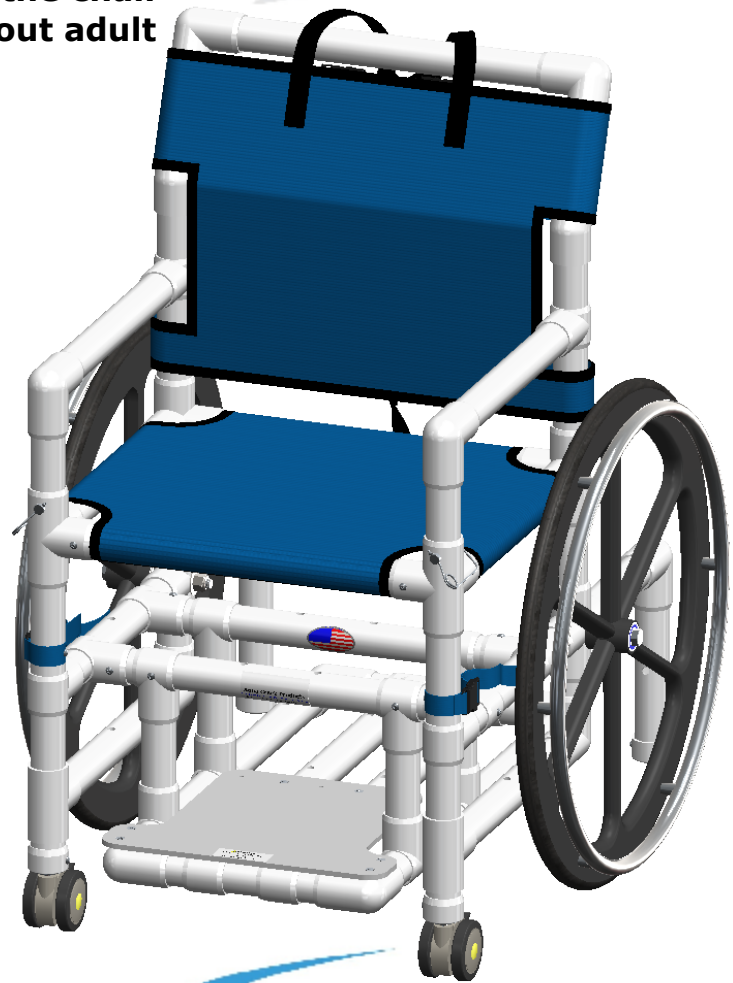
- **NEVER** swim alone
- **NEVER** permit children to play on or around the chair
- **DO NOT** allow children to use the chair without adult supervision

## READ CAREFULLY

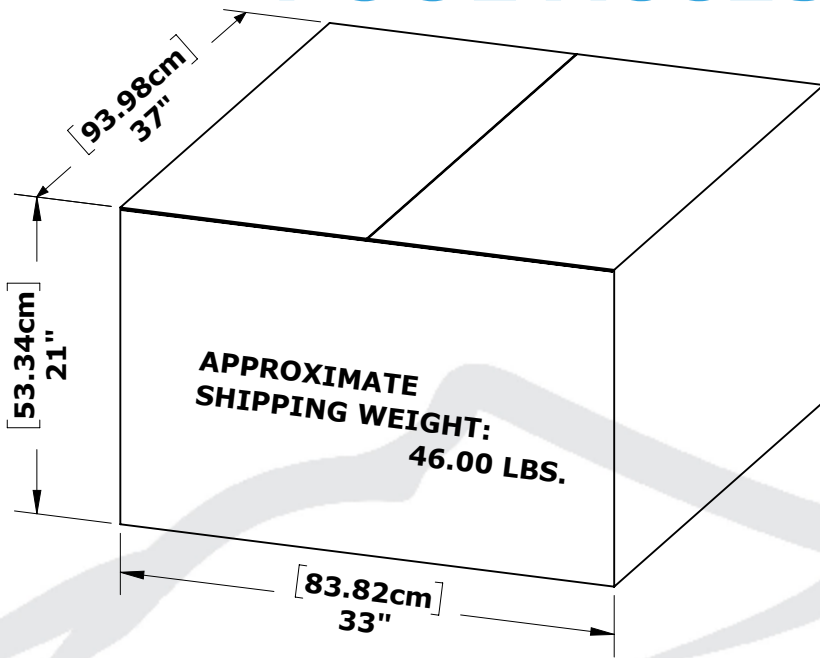
Check entire box and all packing materials for parts. Before beginning assembly, read the instructions and identify parts using the figures and parts listed in this document.

It is critical that all parts be carefully inspected prior to installation. If any damage occurred in transit, Aqua Creek Products, LLC must be notified within three days of receipt of unit.

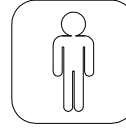
Proper installation cannot be overstressed, as an improper installation voids Aqua Creek's warranty and may affect the safety of the user.



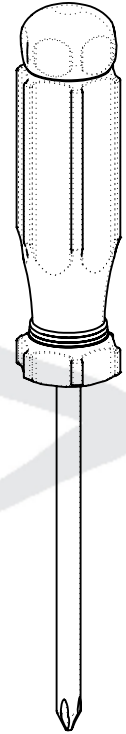
# POOL ACCESS CHAIR



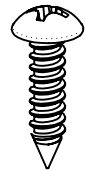
**SUITABLE FOR 1 PERSON**



**TOOLS NEEDED:**



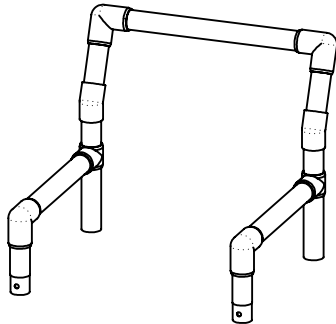
**PHILLIPS HEAD SCREWDRIVER (NOT PROVIDED)**



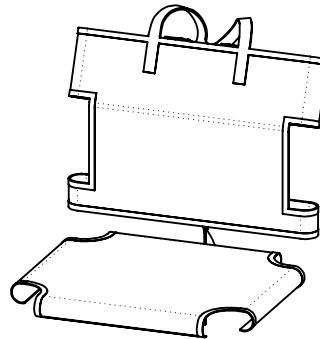
**10 #10 PHILLIPS HEAD SCREWS  
PART NO. INV01071**

**BOX CONTENTS MUST INCLUDE THE FOLLOWING PARTS:**

**01 BACK/ARMREST ASSEMBLY  
PART NO. INV02866**

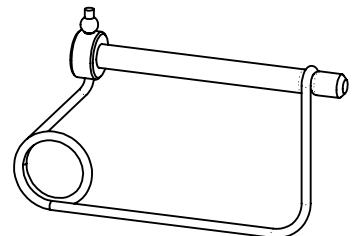


**01 BACKREST - MESH  
PART NO. INV02439**



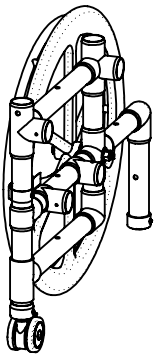
**01 SEAT - MESH  
PART NO. INV02438**

**02 SEAT TUBES  
PART NO. INV02318**

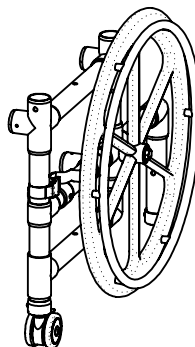


**02 SAFETY SNAP PINS  
PART NO. INV02314**

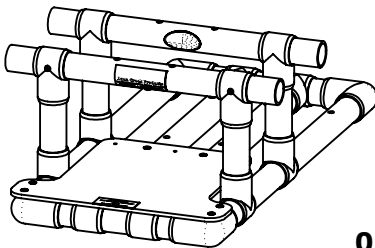
**01 RIGHT SIDE ASSEMBLY  
PART NO. INV02863**



**01 LEFT SIDE ASSEMBLY  
PART NO. INV02864**



**01 FOOTREST ASSEMBLY  
PART NO. INV02865**



**QUESTIONS? Call 888.687.3552  
AquaCreek.com**

# POOL ACCESS CHAIR

## 1 INSPECT:

UNPACK AND CHECK ALL CONTENTS OF BOX. IF YOU ARE MISSING PARTS, FIND DAMAGED PARTS, OR HAVE ANY QUESTIONS CALL 888-687-3552

## 2 REQUIRED FOR FIG 01:

- 01 RIGHT SIDE ASSEMBLY
- 01 FOOTREST ASSEMBLY
- 02 #10 PHILLIPS HEAD SCREWS

PLACE THE RIGHT SIDE ASSEMBLY FLAT ON THE FLOOR AS SHOWN. INSERT THE FOOTREST ASSEMBLY INTO THE CORRESPONDING SPLIT-T'S ON THE RIGHT SIDE ASSEMBLY. USING TWO (02) #10 PHILLIPS HEAD SCREWS AND YOUR SCREWDRIVER, FASTEN THE TWO ASSEMBLIES TOGETHER USING THE PRE-DRILLED HOLES. (SEE DETAIL A)

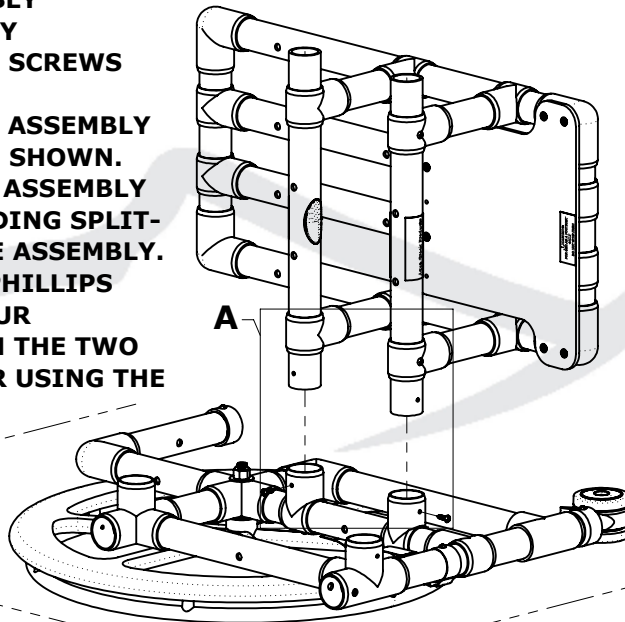
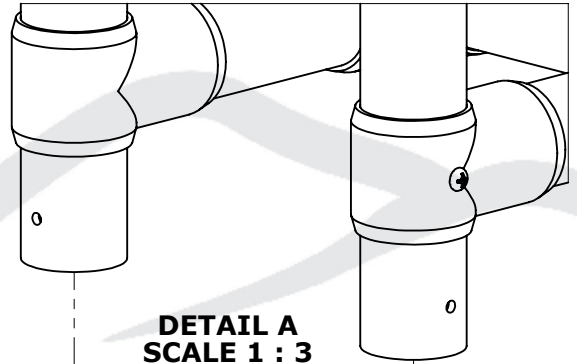


FIG. 01



DETAIL A  
SCALE 1 : 3

## 3 REQUIRED FOR FIG. 02:

- 02 SEAT BARS
- 02 #10 PHILLIPS HEAD SCREWS

INSERT THE TWO (02) SEAT BARS INTO THE CORRESPONDING SPLIT-T'S ON THE RIGHT SIDE ASSEMBLY. USING TWO (02) #10 PHILLIPS HEAD SCREWS AND YOUR SCREWDRIVER, FASTEN THE TWO PARTS TO THE ASSEMBLY USING THE PRE-DRILLED HOLES. (SEE DETAIL B)

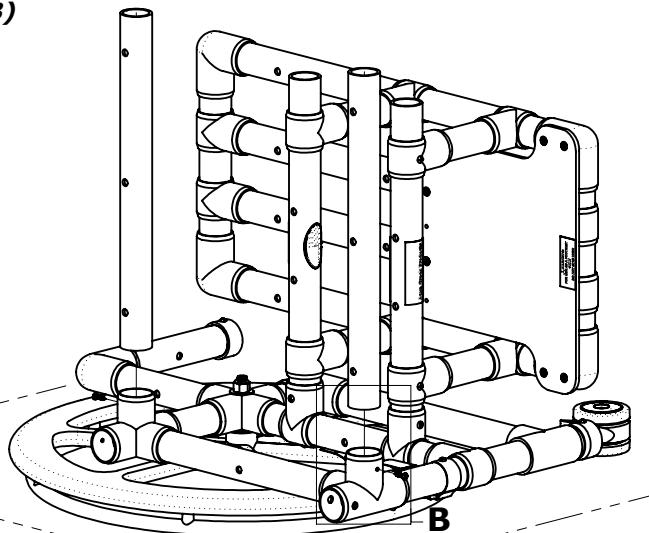
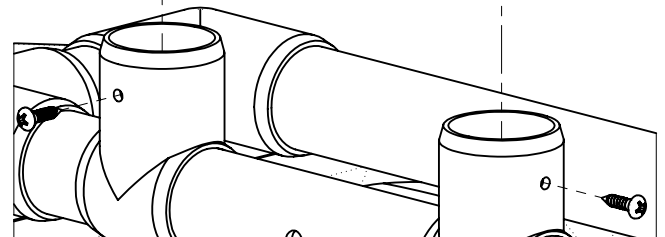


FIG. 02



DETAIL B  
SCALE 1 : 3

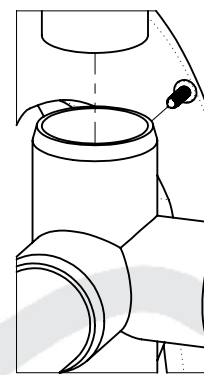
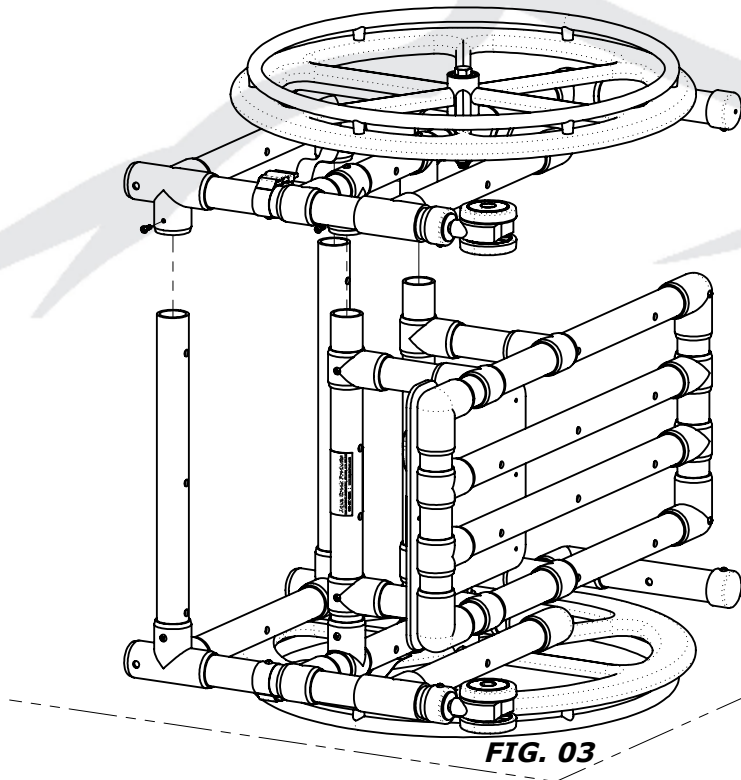
# POOL ACCESS CHAIR

## 4 REQUIRED FOR FIG. 03:

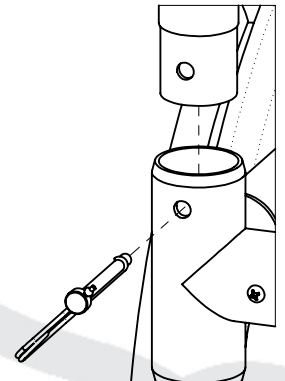
- 01 LEFT SIDE ASSEMBLY
- 04 #10 PHILLIPS HEAD SCREWS

PLACE THE LEFT SIDE ASSEMBLY ON TOP OF THE FOUR VERTICAL TUBES, PRESS ON FIRMLY. USING FOUR (04) #10 PHILLIPS HEAD SCREWS AND YOUR SCREWDRIVER, FASTEN THE ASSEMBLY TO THE PARTS USING THE PRE-DRILLED HOLES.

(SEE DETAIL B - PREVIOUS SHEET)



DETAIL C  
SCALE 1 : 3



DETAIL D  
SCALE 1 : 4

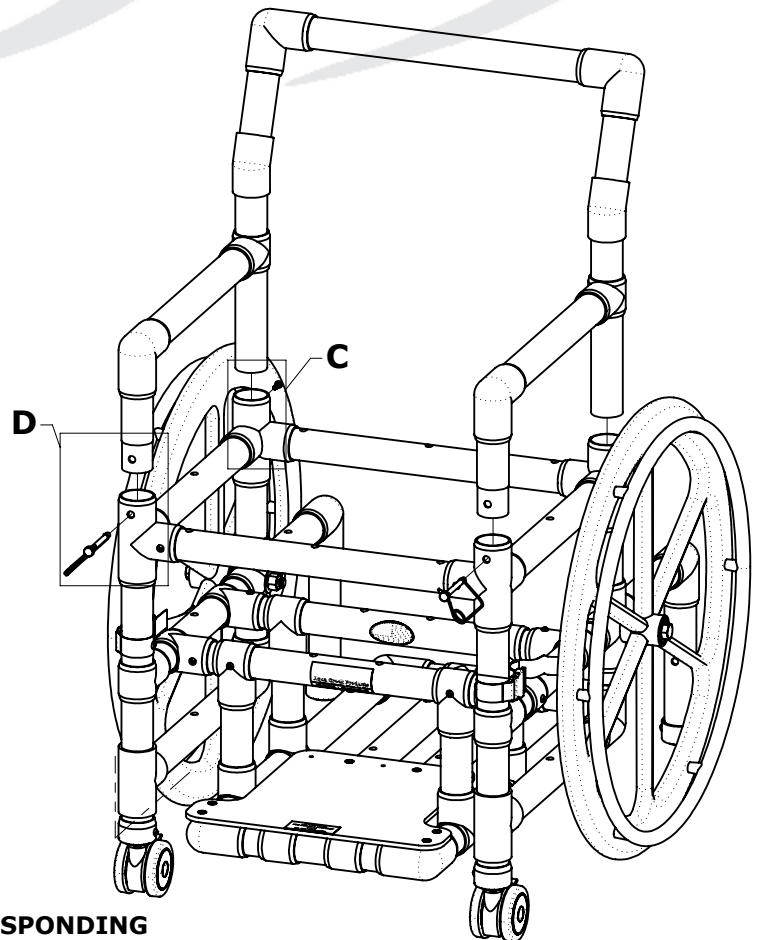


FIG. 04

## 5 REQUIRED FOR FIG. 04:

- 01 BACK/ARMREST ASSEMBLY
- 02 SAFETY SNAP PINS
- 02 #10 PHILLIPS HEAD SCREWS

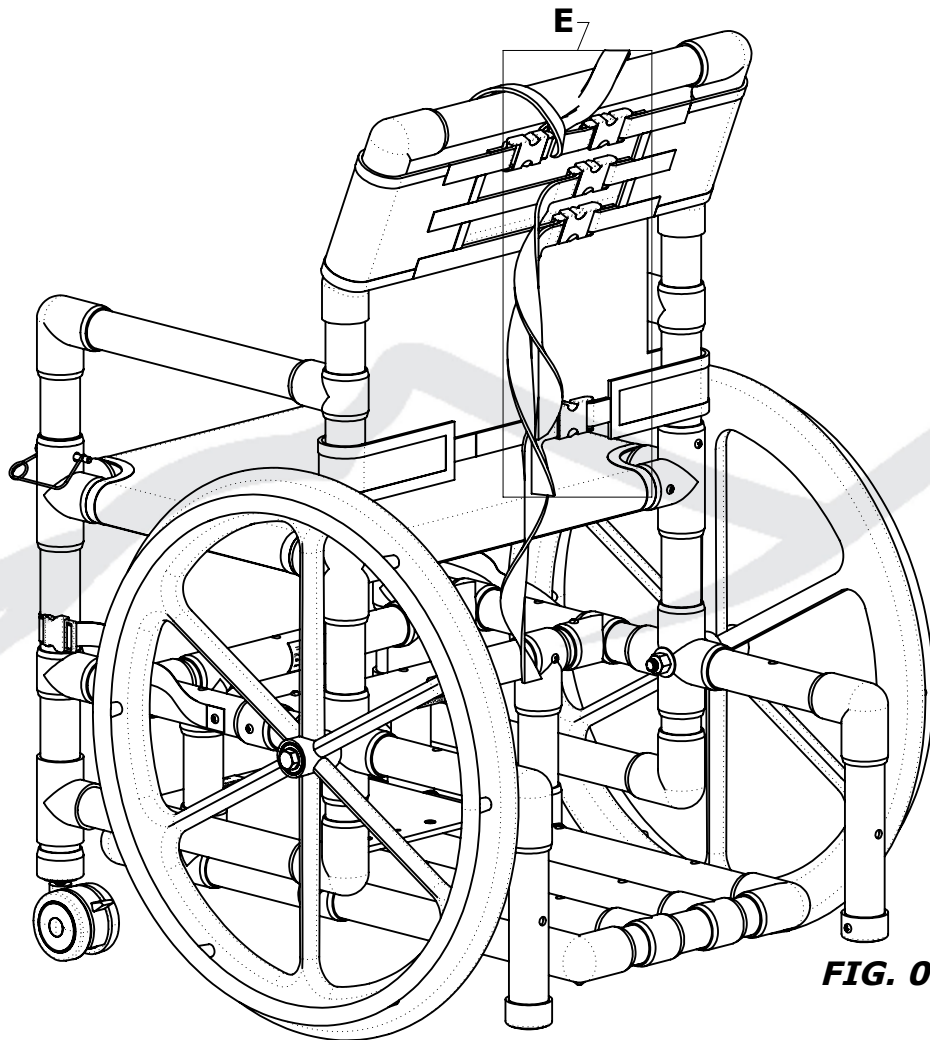
INSERT THE TWO (02) BACKREST TUBES INTO THE CORRESPONDING SPLIT-T'S ON THE BACK SIDE OF THE CHAIR ASSEMBLY. USING TWO (02) #10 PHILLIPS HEAD SCREWS AND YOUR SCREWDRIVER, FASTEN THE TWO PARTS TO THE ASSEMBLY USING THE PRE-DRILLED HOLES.

(SEE DETAIL C)

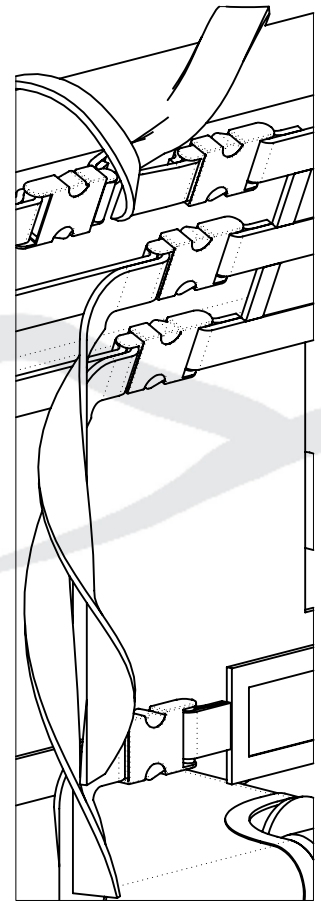
THE ARMREST CAN NOW BE INSERTED INTO THEIR LOCATIONS FIXING THEM INTO PLACE WITH THE TWO (02) SAFETY SNAP PINS.

(SEE DETAIL D)

# POOL ACCESS CHAIR



**FIG. 05**



**DETAIL E  
SCALE 1 : 4**

## **6** REQUIRED FOR FIG. 05:

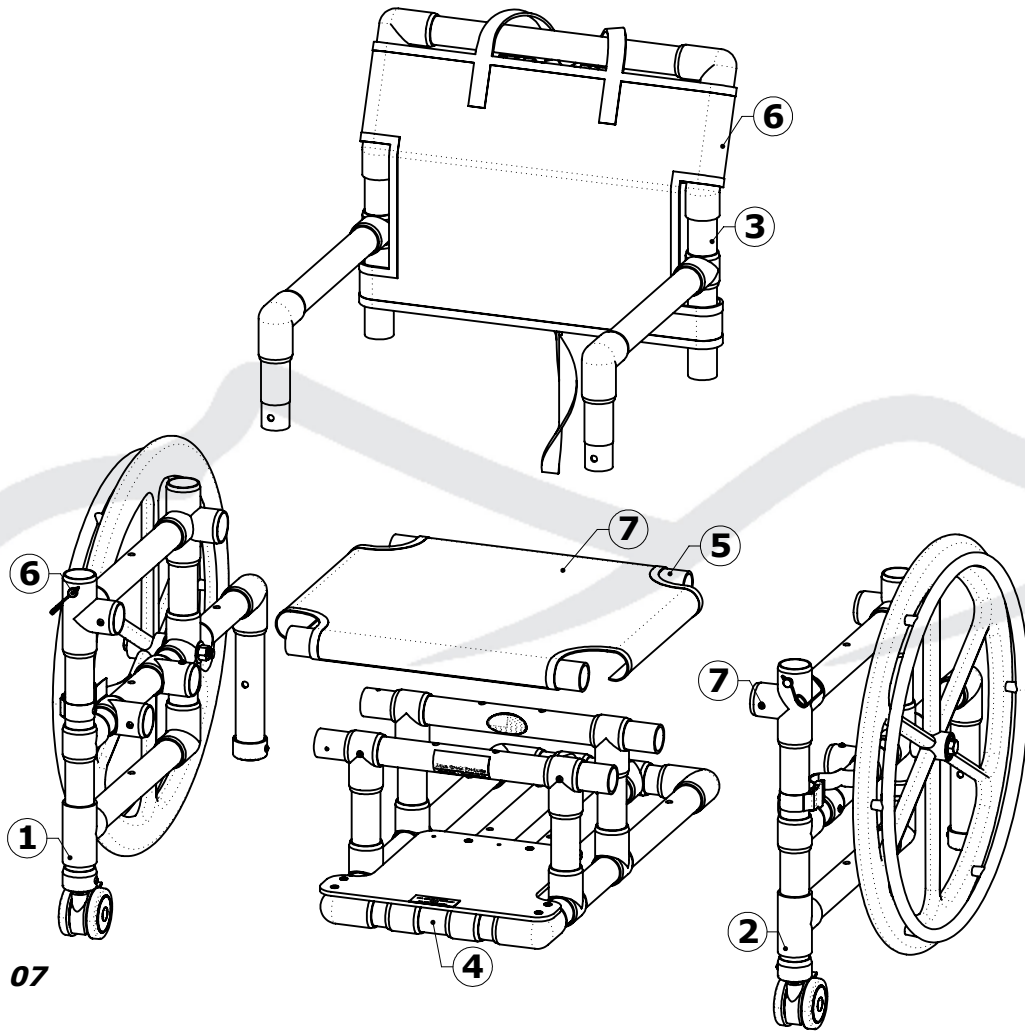
**01 MESH SEAT BACK  
01 MESH SEAT**

**PLACE THE MESH SEAT BACK FLAT AGAINST THE CHAIR'S BACK REST. TAKING A TOP STRAP, CROSS OVER BACK REST BUCKLING THE STRAP TO THE OPPOSITE SIDE. REPEAT FOR THE SECOND TOP STRAP. THE REMAINING THREE STRAPS WILL BE BUCKLED INTO THE STRAPS DIRECTLY ACROSS FROM ONE ANOTHER. PULL EACH STRAP TAIL UNTIL EACH ONE IS SNUG.  
(SEE DETAIL E)**

**PLACE THE MESH SEAT FLAT AGAINST THE SEAT TUBES, THREE STRAPS RUNNING FRONT TO BACK, TWO RUNNING SIDE TO SIDE. BUCKLE EACH STRAP TO THE STRAP DIRECTLY ACROSS FROM ONE ANOTHER. PULL EACH STRAP TAIL UNTIL EACH ONE IS SNUG.**

**YOUR POOL ACCESS CHAIR IS NOW READY FOR USE.**

# POOL ACCESS CHAIR



**FIG. 07**

POOL ACCESS CHAIR - PARTS LIST			
ITEM	PART NO.	QTY.	DESCRIPTION
1	INV02863	1	ASSEMBLY - ACCESS CHAIR - RIGHT SIDE
2	INV02864	1	ASSEMBLY - ACCESS CHAIR - LEFT SIDE
3	INV02866	1	**ASSEMBLY - ACCESS CHAIR - BACK/ARMREST
4	INV02865	1	**ASSEMBLY - ACCESS CHAIR - FOOTREST
5	INV02318	2	**ACCESS CHAIR - SEAT TUBES
6	INV02314	2	SNAP PIN - 1/4"x2 1/4"
7	INV01071	10	SCREW - PHSMS #10-3/4"
8	INV02438	1	SEAT - MESH UNIVERSAL (BLUE)
9	INV02439	1	BACKREST - MESH UNIVERSAL (BLUE)

**\*\* WHEN ORDERING REPLACEMENT PARTS CONFIRM YOUR PURCHASE OF THE 18", 21", OR 24" WIDE POOL ACCESS CHAIR.**

# POOL ACCESS CHAIR

## AQUA CREEK PRODUCTS, LLC LIMITED ONE (1) YEAR WARRANTY: PVC POOL ACCESS CHAIRS

(ITEM #'s F-520SPM, F-520WSPM, F-520WSPPS)

Aqua Creek Products, LLC (a.k.a. Aqua Creek) warrants to the original end user purchaser that products manufactured by Aqua Creek, when properly installed in accordance with assembly and installation instructions and properly used and maintained, shall be free from defects in material and workmanship for a period of one (1) year from the date of original purchase, provided that Aqua Creek receives prompt notice in writing of any defect or failure and satisfactory proof thereof, with the following exceptions:

### Exceptions:

- This warranty specifically excludes reimbursement for labor to remove, repair, or install the product and any freight charges.
- This warranty does not cover any damages due to accident, force majeure, act of nature, misuse, abuse, negligence or failure to properly maintain any products, or normal wear and tear from day to day operations.
- In the event that any products are altered, repaired, or improperly installed by anyone without the prior written approval by Aqua Creek, all warranties are void.

**IMPORTANT:** User is not to exceed the rated weight capacity of this product. It is the responsibility of the product owner to verify the weight of the patron for warranty claim purposes and to ensure that the product is not overloaded.

To initiate a warranty claim, the owner of an Aqua Creek product must provide the place of purchase, in writing, with a full description of the product, its serial number, the dates of purchase and installation, and the exact nature of the defect. Within thirty (30) days after receipt of a written warranty claim by Aqua Creek, and barring any unforeseen delays, the place of purchase will be notified of Aqua Creek's decision regarding the claim. All warranty calculations are from date of original purchase at manufacturer's suggested retail price. Non-payment for product to Aqua Creek may void warranty.

If requested by Aqua Creek, any defective product must be returned, freight prepaid by customer, to Aqua Creek's designated factory location or duly appointed distributor for inspection and/or repair. Aqua Creek will, at its option, repair or replace the failed or defective item, and deliver the repaired product or replacement to the customer. All freight charges are the responsibility of the customer. Products returned to Aqua Creek for which Aqua Creek provides replacement under this limited warranty shall become the property of Aqua Creek. A new warranty period shall NOT be established for the repaired or replaced products. Such products shall remain under warranty only for the remainder of the original warranty period on the original products purchased.

This written limited warranty constitutes the final, complete and exclusive statement of warranty terms. No person or organization is authorized to make any other specific or implied warranties or representations on behalf of Aqua Creek.

THE WARRANTIES SET FORTH HEREIN ARE IN LIEU OF ALL OTHER WARRANTIES, EXPRESSED OR IMPLIED, WHICH ARE HEREBY DISCLAIMED AND EXCLUDED, INCLUDING WITHOUT LIMITATION ANY WARRANTY OF MERCHANTABILITY OR FITNESS FOR A PARTICULAR PURPOSE OR USE.

THE SOLE AND EXCLUSIVE REMEDIES FOR BREACH OF ANY AND ALL WARRANTIES WITH RESPECT TO THE PRODUCTS SHALL BE LIMITED TO REPAIR OR REPLACEMENT AT AQUA CREEK'S DESIGNATED FACTORY LOCATION, OR DULY APPOINTED DISTRIBUTOR, OR IN PLACE AT AQUA CREEK'S OPTION. IN NO EVENT SHALL AQUA CREEK'S LIABILITY EXCEED THE ENTIRE AMOUNT PAID TO AQUA CREEK BY THE ORIGINAL PURCHASER FOR THE FAILED OR DEFECTIVE PRODUCT.

IN NO EVENT SHALL AQUA CREEK PRODUCTS, LLC BE LIABLE FOR ANY INCIDENTAL, CONSEQUENTIAL, SPECIAL, INDIRECT, PUNITIVE OR EXEMPLARY DAMAGES OR LOST PROFITS FROM ANY BREACH OF THIS LIMITED WARRANTY OR OTHERWISE.

Aqua Creek Products, LLC  
9889 Garrymore Lane  
Missoula, MT 59808  
Toll Free: (888) 687-3552  
Local/Intl: (406) 549-0769  
[www.aquacreek.com](http://www.aquacreek.com)



**AQUACREEK.COM**

*Affordable ADA, Aquatic Exercise, Dock, and Beach Access PLUS Much More.*  
Copyright © 2021 Aqua Creek Products, LLC. All Rights Reserved.

9/13/2021 11:03:18 AM PAGE - 7