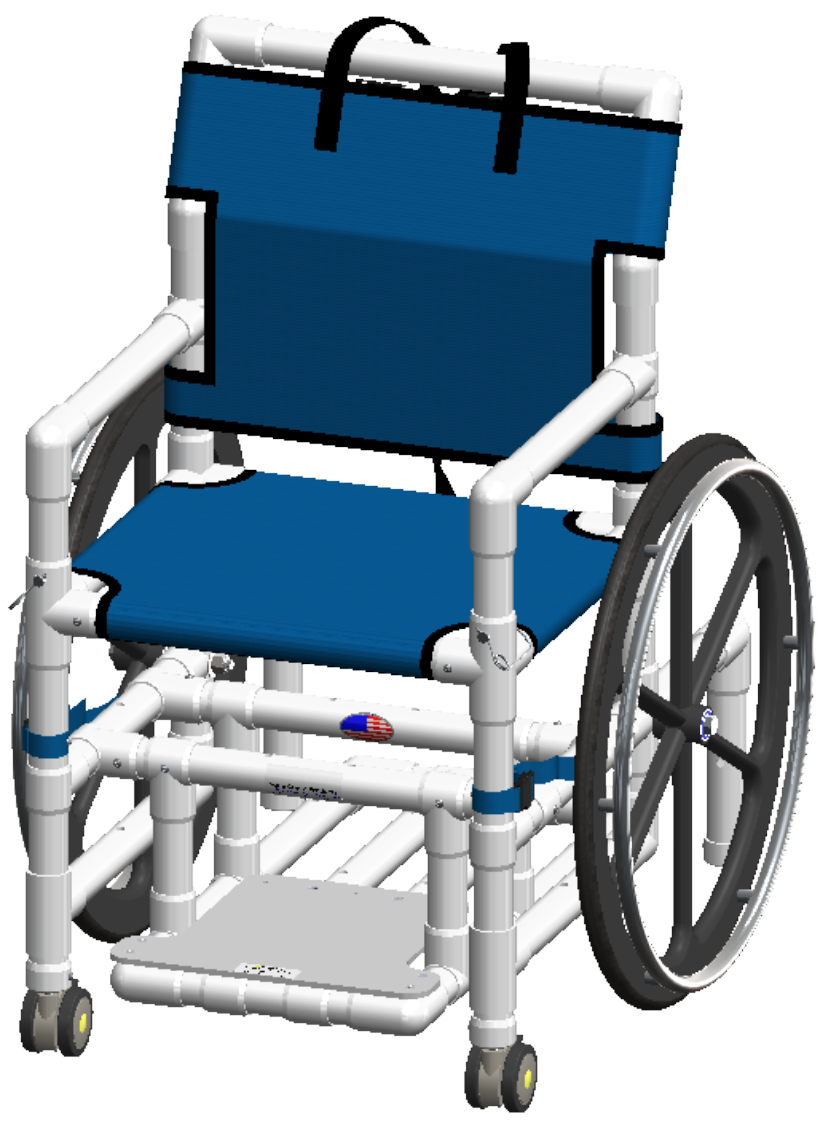


**SPECIFICATIONS:**

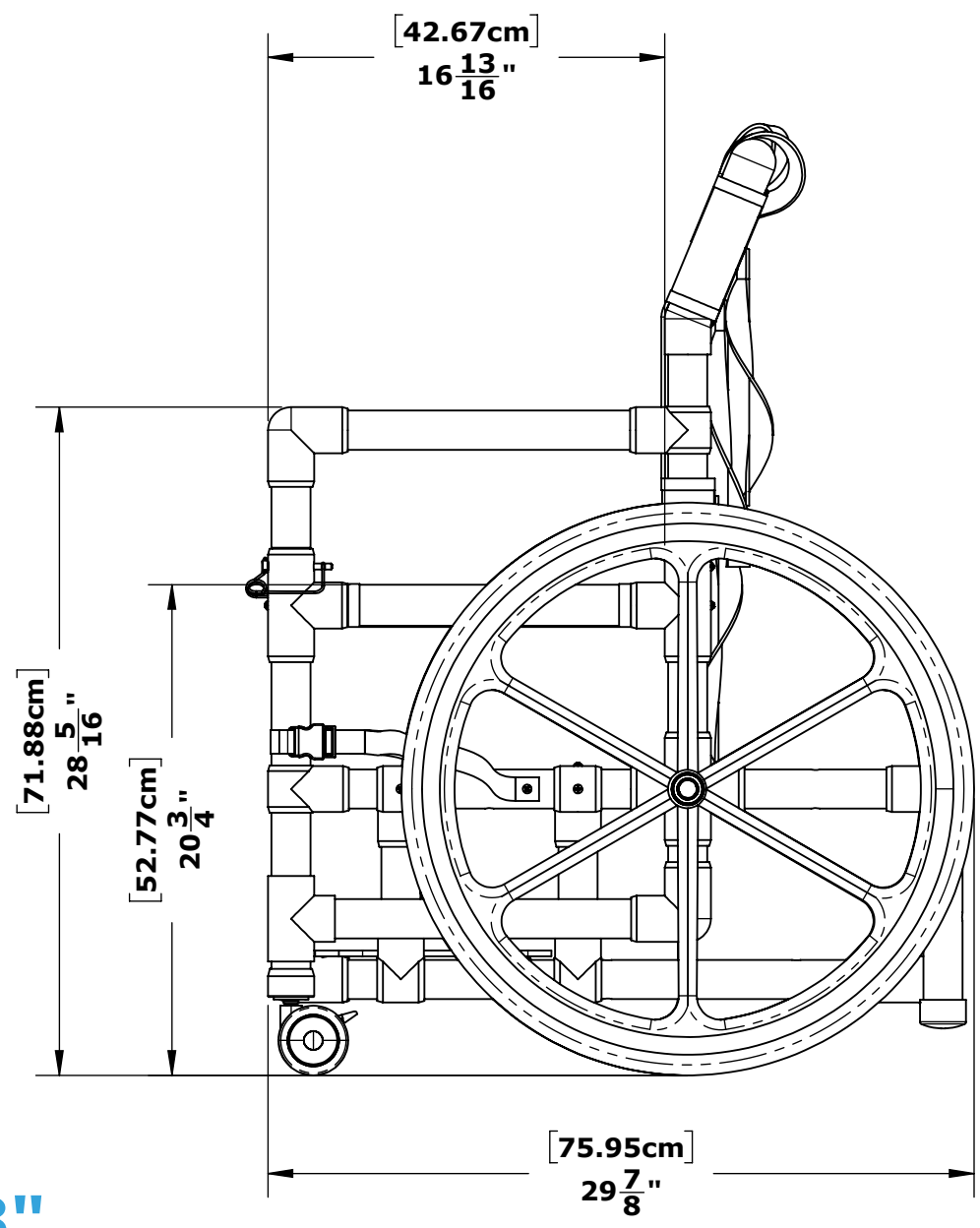
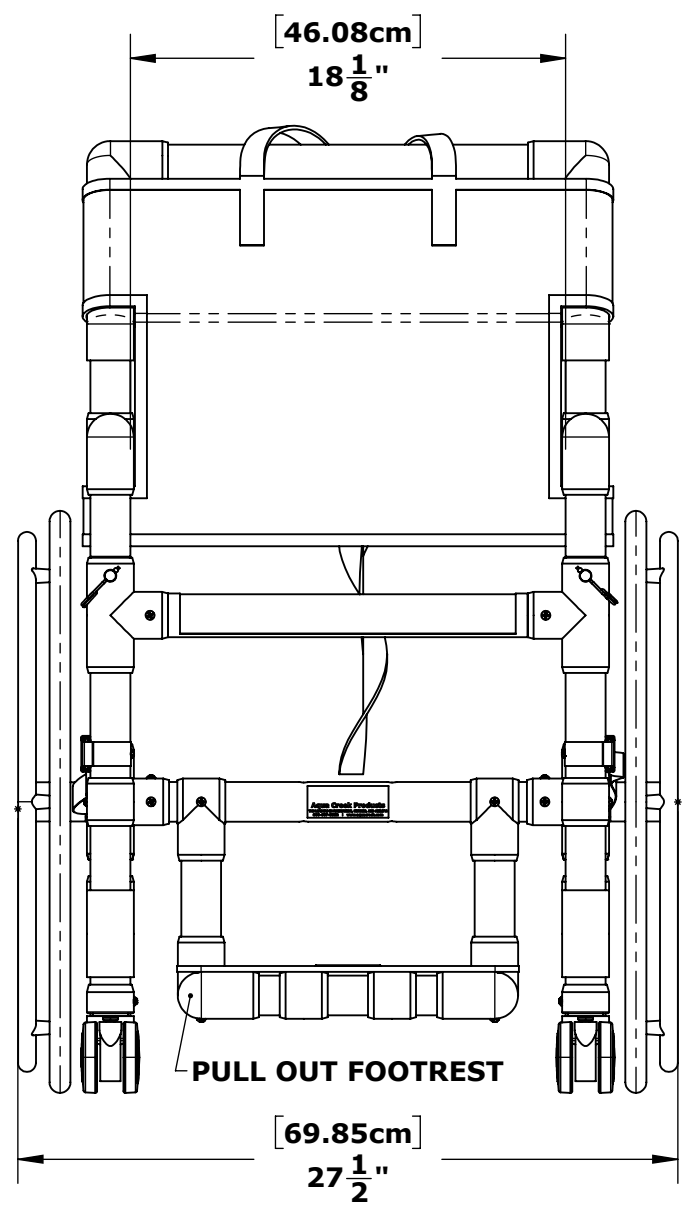
THE PVC POOL ACCESS CHAIR WITH 18 INCH WIDE MESH SEAT SHALL BE CONSTRUCTED OF HEALTH CARE GRADE PVC PIPE AND FITTINGS THAT WON'T RUST OR STAIN. IT WILL BE RATED FOR 400 LBS. [181 KG.]. THE CHAIR SHALL COME EQUIPPED WITH AN EXTENDABLE FOOTREST. THE MESH SEAT SHALL BA A MINIMUM OF 18 INCHES WIDE AND UPHOLSTERED FROM MOLD AND MILDEW RESISTANT MATERIAL THAT IS SUITABLE FOR IMMERSION IN A POOL OR SPA. THE CHAIR SHALL COME EQUIPPED WITH DUAL LOCKING BRAKES AND SWING AWAY ARMRESTS TO ALLO FOR EASY TRANSFERS. THE REAR WHEELS SHALL BE A NON-SKID STYLE WITH USER HAND RINGS. THE CASTERS SHALL BE 3 INCH DIAMETER MRI RATED SWIVEL TYPE.



**FEATURES**

- ◆ SWING OUT ARMREST
- ◆ SLIDING FOOTREST
- ◆ ANTI-TIP DESIGN
- ◆ DUAL BRAKES
- ◆ CORROSION RESISTANT MESH
- ◆ STAINLESS STEEL HARDWARE
- ◆ ONE YEAR WARRANTY

**CLICK HERE TO VIEW THIS PRODUCT:**  
<https://aquacreekproducts.com/>



**POOL ACCESS CHAIR - 18"**

**CATALOG NO. F-520SPM**  
**PART NO. INV02455**

**MATERIAL: PVC/MESH**  
**FINISH: WHITE**  
**APPROX. WEIGHT: 58.34 LBS.**

**TOLERANCES**  
DIMENSIONS ARE IN INCHES  
UNLESS OTHERWISE SHOWN  
FRACTIONAL: ..... ±1/16  
ANGULAR: ..... ±1°  
TWO PLACE DECIMAL: .... ±.01  
THREE PLACE DECIMAL: .. ±.005



**9889 GARRYMORE LANE**  
**MISSOULA, MT 59808**  
**(406) 549-0769**  
**FAX (406) 549-2602**  
**www.AquaCreek.com**

**PROPRIETY AND CONFIDENTIAL INFORMATION**

THIS DRAWING AND ALL INFORMATION CONTAINED HEREIN IS THE SOLE PROPERTY OF AQUA CREEK PRODUCTS LLC. ANY REPRODUCTION IN PART OR AS A WHOLE WITHOUT WRITTEN PERMISSION FROM AQUA CREEK IS PROHIBITED.

\*SPECIFICATIONS ARE SUBJECT TO CHANGE WITHOUT NOTICE

REVISIONS			
REV.	DESCRIPTION	DATE	APPROVED
P1	PRODUCTION RELEASE	3/1/2021	J.MAXWELL