

STONE AGE Stone Age Concrete Games, Inc.



CONCRETE TABLE TENNIS
BRAVADO OUTDOOR | EVERYONE PLAYS

298 Quarry Road
Roseburg, OR. 97470
(541) 671-6318

Actual standard sizes for table tennis areas?

International Events, World Championships & Olympic Games 46 feet x 23 feet

National tournaments 40 feet x 20 feet

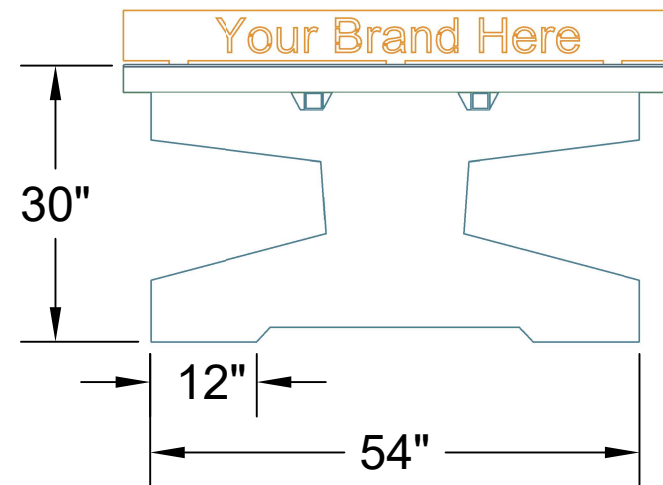
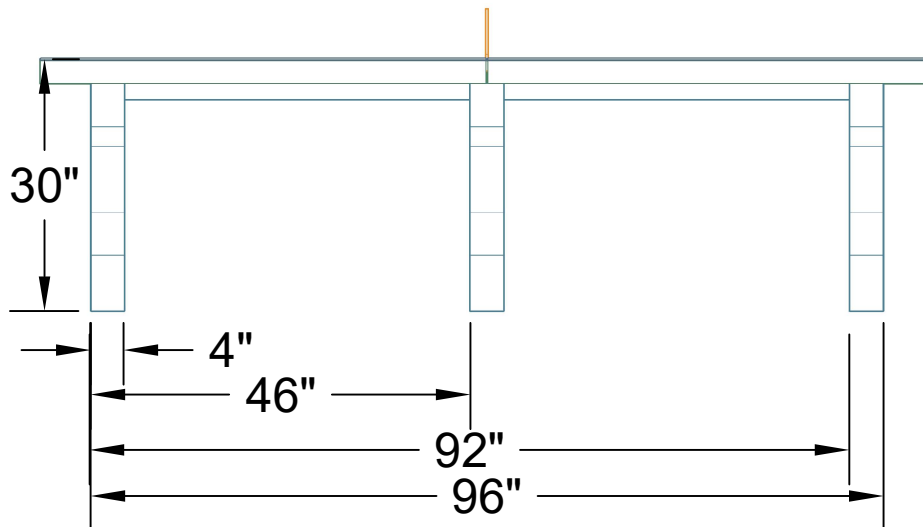
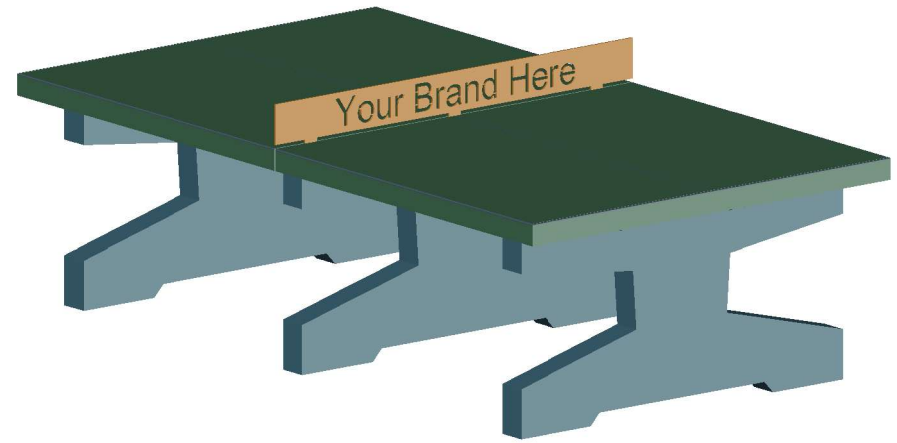
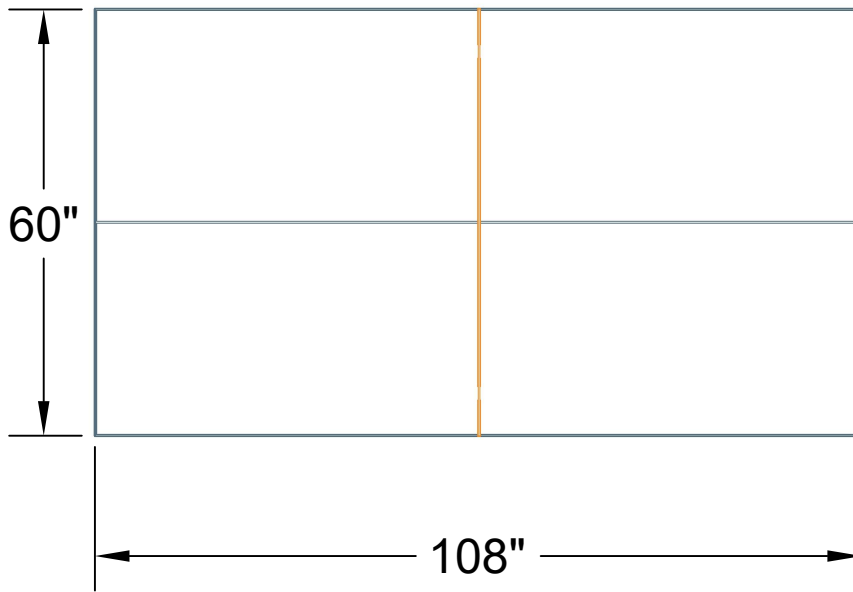
National league / Representative matches 33 feet x 16 feet 6 inches

Local league / Local tournaments 30 feet x 16 feet 6 inches

Recreational play and coaching 28 feet x 13 feet 6 inches

The higher the level of play the more room is needed. The recreational play guideline in blue is an excellent size for outdoor table tennis areas in parks and schools

- 1) If you plan on pouring a new concrete or asphalt surface for installation and play area for outdoor table tennis tables, please use the above recommended sizes to plan your new slab. You may want a slight slope for drainage and that is acceptable as the table can be leveled with tiles/wood shims, etc., during installation.
- 2) If you want to pour three runner footings for under individual legs you can use the drawing on the next page for that purpose. Runner footings should be 6" wide and 55" long. They should not be too high above ground as you will change the official playing height of the tables.
- 3) You can also excavate where the three legs would go and simply place concrete blocks in-ground, leaving the tops of the blocks level with the ground. This is the most economical approach besides simply placing the tables onto the soil, which many clients have also done, or placed tables on sand, chipped shale, mulch, gravel, etc.



Notes: If pouring a new slab for table tennis the suggested dimensions are 28 feet by 13 feet for recreational play.

If chosen, runner footing under each leg should each measure at-least 6"x55".

Approximate total weight: 2,500 pounds