

SOLARIAN WINDER

REVISIONS				
ZONE	REV.	DESCRIPTION	DATE	APPROVED
	A	PRODUCTION	3/11/2014	ENG. DEPT.



PRELIMINARY DO NOT FABRICATE

CUSTOMER: X				MATERIAL SEE PARTS LIST	
SALES ORDER	ITEM NO.	QTY	U/M	FINISH	
X	X	X	X		
APPROVED AS IS: <input type="checkbox"/>				PROPRIETARY AND CONFIDENTIAL THE INFORMATION CONTAINED IN THIS DRAWING IS THE SOLE PROPERTY OF SPECTRUM PRODUCTS LLC. ANY REPRODUCTION IN PART OR AS A WHOLE WITHOUT THE WRITTEN PERMISSION OF SPECTRUM PRODUCTS LLC. IS PROHIBITED.	
RESUBMIT: <input type="checkbox"/>					
BY: _____					
DATE: _____				UNLESS OTHERWISE SPECIFIED: DO NOT SCALE DRAWING DIMENSIONS ARE IN INCHES TOLERANCES: FRACTIONAL ± 1/16 ANGULAR: ± 1° X.X = ± .1 X.XX = ± .01 X.XXX = ± .005 DEBUR AND BREAK SHARP EDGES	
NOTICE: UNLESS OTHER PROVISIONS ARE MADE AT THE TIME OF SUBMISSION, REVISIONS TO ALL APPROVED DRAWINGS MUST BE MADE WITHIN 24 HOURS OF RECEIPT TO AVOID CHARGES FROM WORK IN PROGRESS.				THIRD ANGLE PROJECTION 	

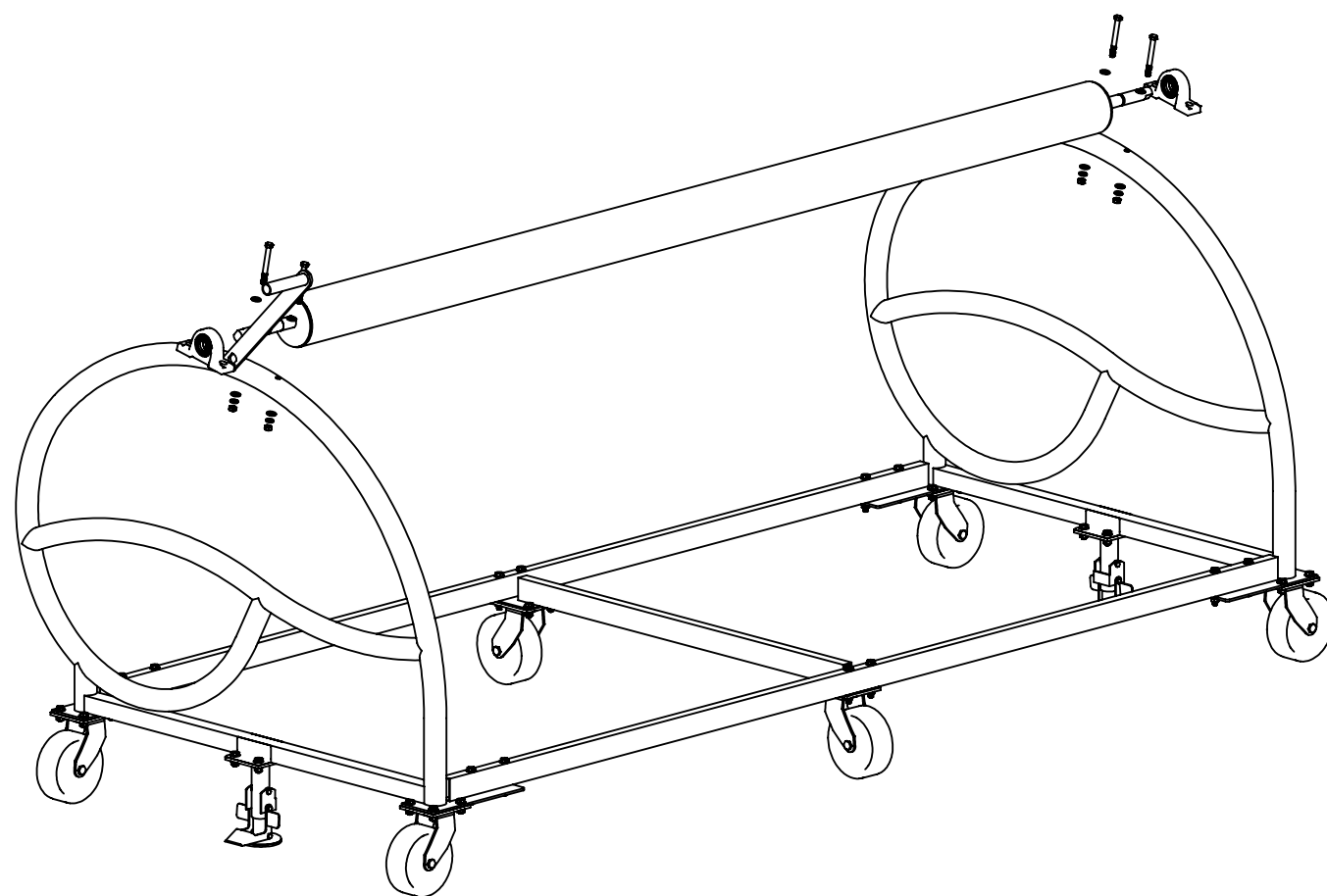


TITLE: SOLARIAN WINDER		
SIZE	DWG. NO.	REV
B	144013	A
SCALE: 1:12	MASS: 15609.41	SH. 1 OF 7

THIS IS YOUR SUBMITTAL. SPECTRUM PRODUCTS HAS MADE EVERY EFFORT TO DESIGN TO YOUR SPECIFICATIONS. PLEASE REVIEW THIS SUBMITTAL THOROUGHLY. SPECTRUM PRODUCTS CANNOT BE RESPONSIBLE FOR ERRORS AFTER THE SUBMITTAL(S) HAS BEEN SIGNED AND APPROVED BY YOU AND/OR YOUR CUSTOMER. PLEASE INSURE ALL DIMENSIONS ARE ACCURATE AND CORRECT. IT IS THE SOLE RESPONSIBILITY OF THE CUSTOMER TO ENSURE THAT THE PRODUCT MEETS ALL APPLICABLE CODES.

BILL OF MATERIALS

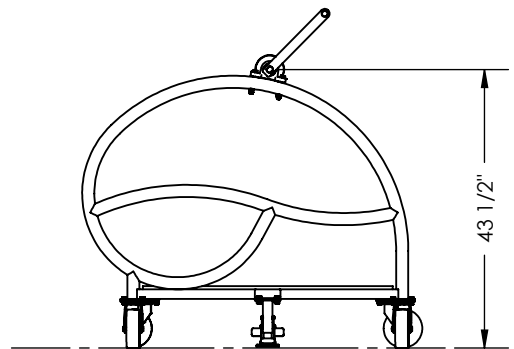
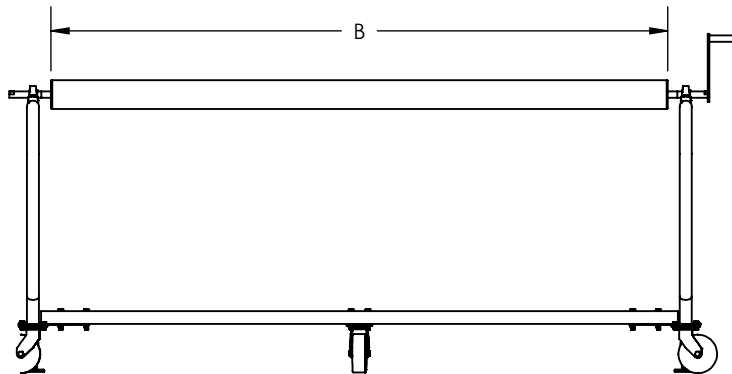
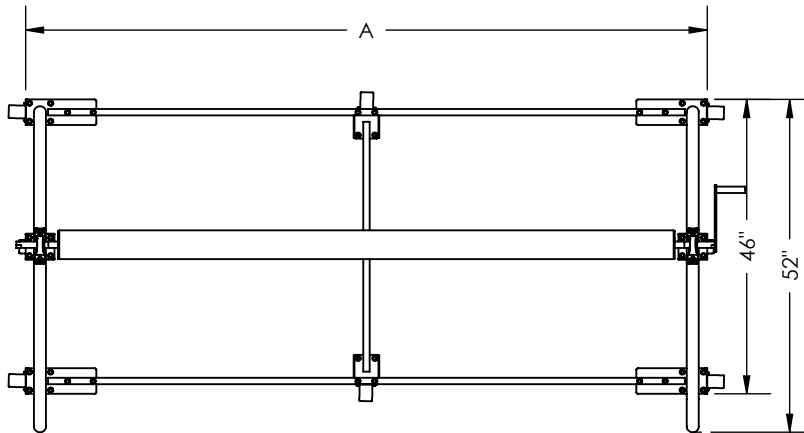
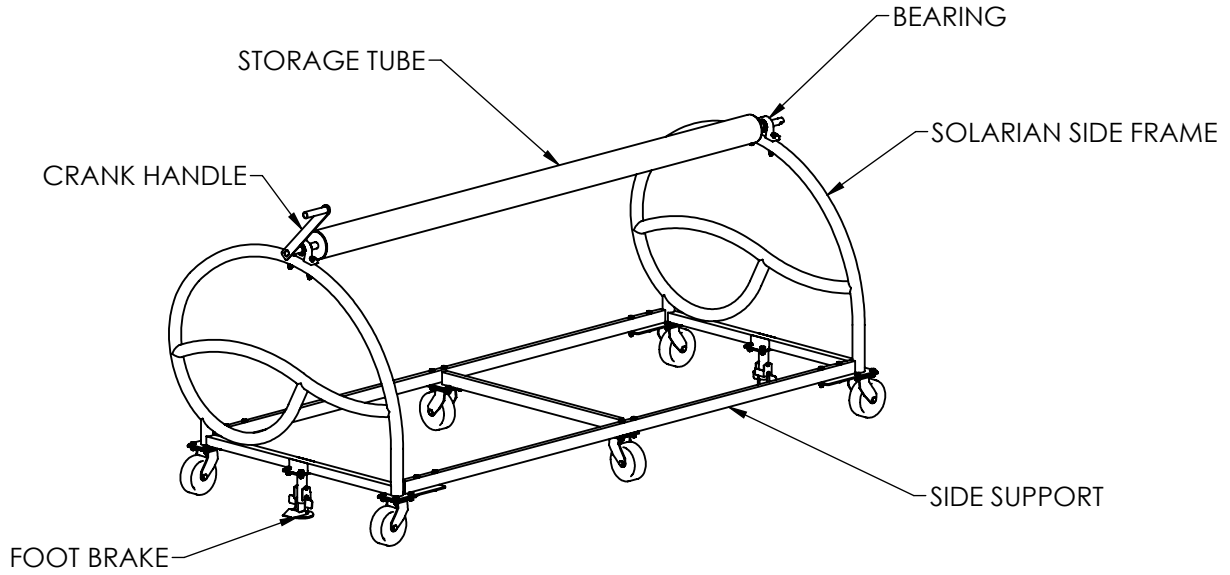
ITEM NO.	PART #	QTY.	DESCRIPTION	MATERIAL	RAW MATERIAL	RAW QUANTITY
1	144294	2	SOLARIAN END CROSS BAR	1.50" x .065" 304L SERIES S.S. SQR. TUBE	580500-03	3.675'
2	144296	2	SOLARIAN WINDER SIDE	1.90" x .145" 304L SERIES S.S. TUBE	500700-03	17.835'
3	53643	4	CASTER PLATE	3/16" 304 S.S. RAW PLATE	DIRMATL	N/A
4	53991	4	FLOOR LOCK FLANGE	1.50"x1.50"x.125" 304L S.S. ANGLE	INVENTORY	N/A
5	144297	2	WINDER BRACE	1.00"x2.00"x.065" 304 S.S. REC. TUBE	502050-03	21.000'
6	47506	2	PLATE WINDER	12 GA. 304L S.S. SHEET	INVENTORY	N/A
7	53580	1	MID BRACE BAR	1.00"x2.00"x.065" 304 S.S. REC. BAR	502050-03	3.26
8	53658	2	7.5" S.S. FLOOR LOCK	STAINLESS STEEL	INVENTORY	N/A
9	53597	6	SWVL CASTER 6" (TK) S.S.	STAINLESS STEEL	552200-03	N/A
10	20022	28	SCREW HC 3/8"-16x1"	300 SERIES STAINLESS STEEL	FASTNER	N/A
11	20012	88	WASHER FW 3/8"	300 SERIES STAINLESS STEEL	FASTNER	N/A
12	20017	44	WASHER LW 3/8"	300 SERIES STAINLESS STEEL	FASTNER	N/A
13	20004	44	NUT FHN 3/8"-16	300 SERIES STAINLESS STEEL	FASTNER	N/A
14	16761	2	PILLOW BLOCK 1" NICKLE			N/A
18	20150	12	SCREW HC 3/8"-16x3"	300 SERIES STAINLESS STEEL	FASTNER	N/A
19	20109	4	SCREW HC 3/8"-16x3 1/2"	300 SERIES STAINLESS STEEL	FASTNER	N/A
20	53649	1	WINDER PIPE	S.S. WELEDED PIPE 4" SCH 10	506353-03	20.000'
21	53648	2	INTERNAL FIN	1 1/2"x3/16" 304L SERIES S.S. RECT BAR	505200-03	.333'
22	53647	2	STORAGE TUBE END CAP	3/16" 304L SERIES S.S. SHEET	INVENTORY	N/A
23	53646	2	WINDER SHAFT	1.00" 304 S.S. RND. BAR	503300-03	0.98
25	53583	1	CRANK ARM	1.50"x.25" 304 S.S. REC. BAR		
26	53584	1	CRANK HAND GRIP	1.00"x.083" 304 SERIES S.S. TUBE	500150-03	0.38



PROPRIETARY AND CONFIDENTIAL
 THE INFORMATION CONTAINED IN THIS DRAWING IS THE SOLE PROPERTY OF SPECTRUM PRODUCTS LLC. ANY REPRODUCTION IN PART OR AS A WHOLE WITHOUT THE WRITTEN PERMISSION OF SPECTRUM PRODUCTS LLC. IS PROHIBITED.

SIZE	DWG. NO.	REV
B	144013	A
SCALE: 1:16	MASS: 15609.41	SH. 2 OF 7

SOLARIAN I



NOTE:

1 DIMENSIONS VARY WITH SPECIFIC APPLICATIONS.
 SPECIFICATIONS ARE NOMINAL AND ARE SUBJECT TO CHANGE.
 PLEASE CONTACT SPECTRUM AQUATICS FOR CUSTOM APPLICATIONS.

SIZE	A	B
15 FOOT	214.125"	192"
18 FOOT	250.125"	228"
20 FOOT	274.125"	252"



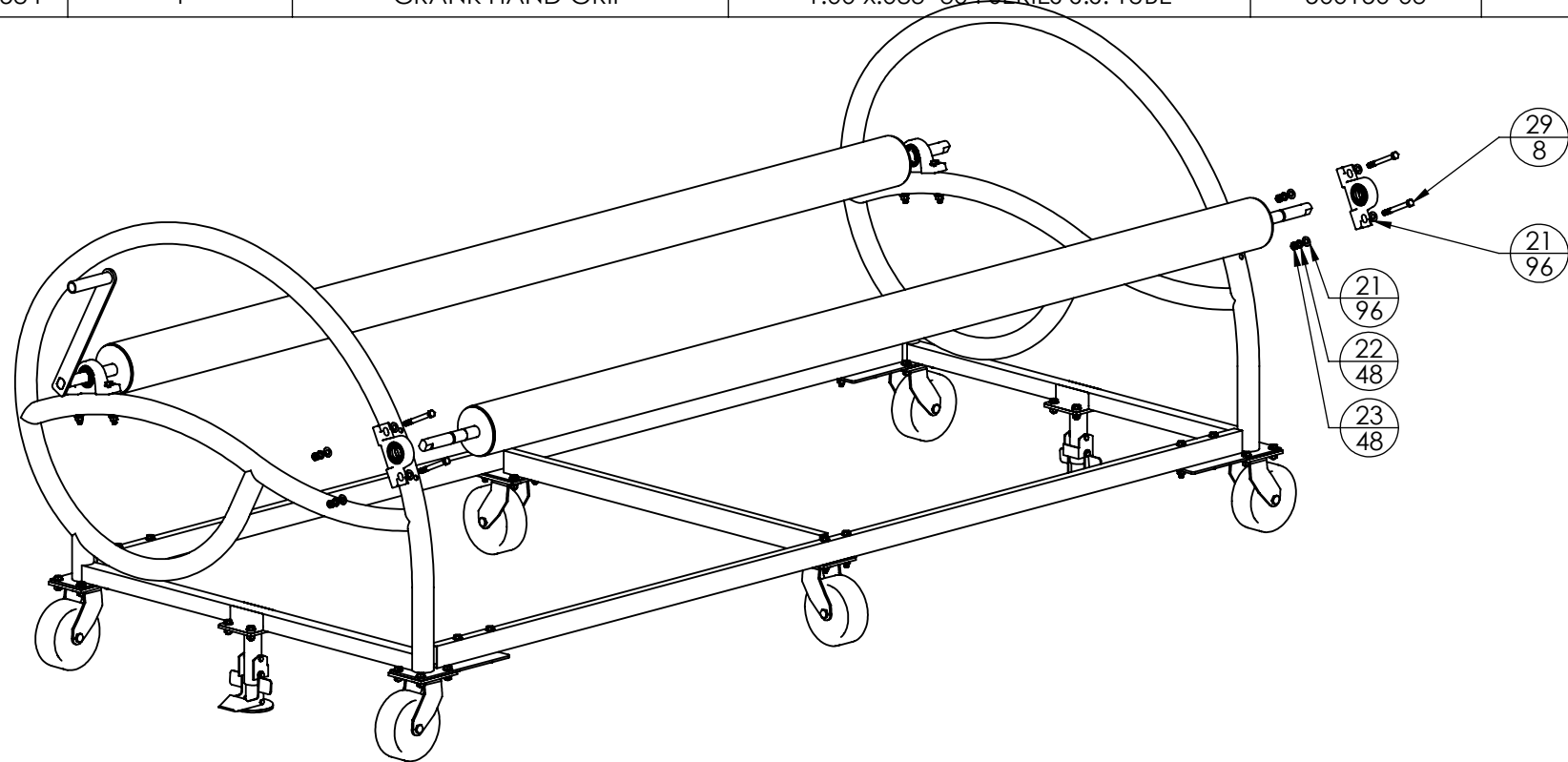
7100 SPECTRUM LANE
 MISSOULA, MT 59808
 VOICE: 406.542.9781
 FAX: 406.542.1158

ENGINEERING DATA

PRODUCT:	SOLARIAN WINDER
PRODUCT #:	
REVISION:	A
MATERIAL:	SEE PARTS LIST

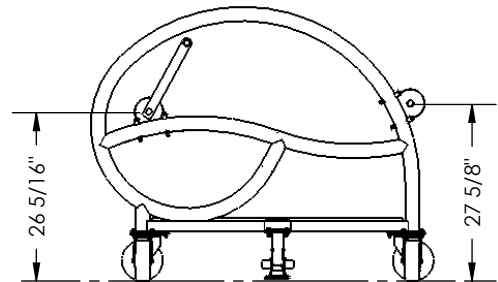
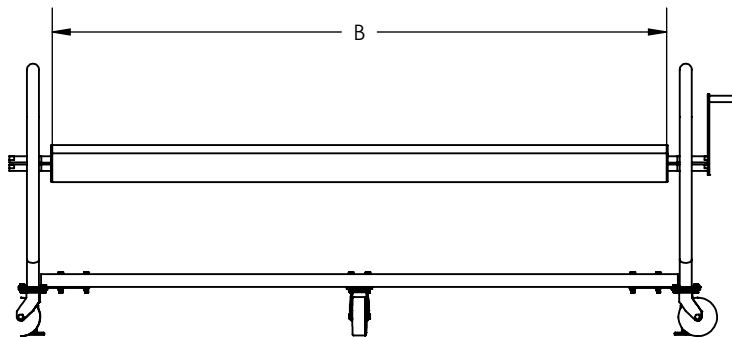
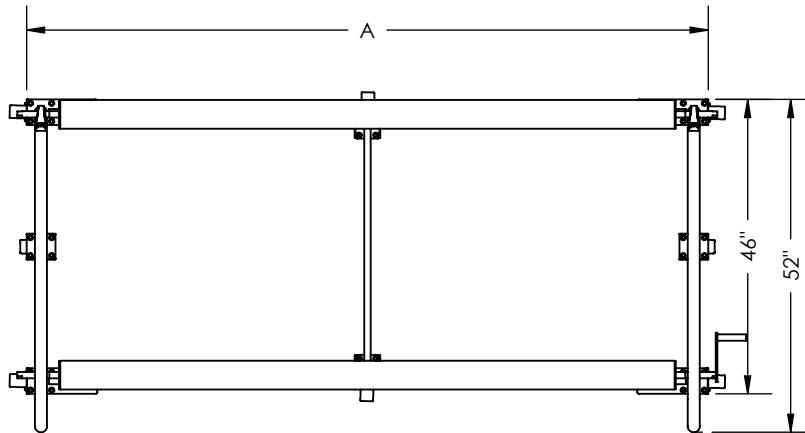
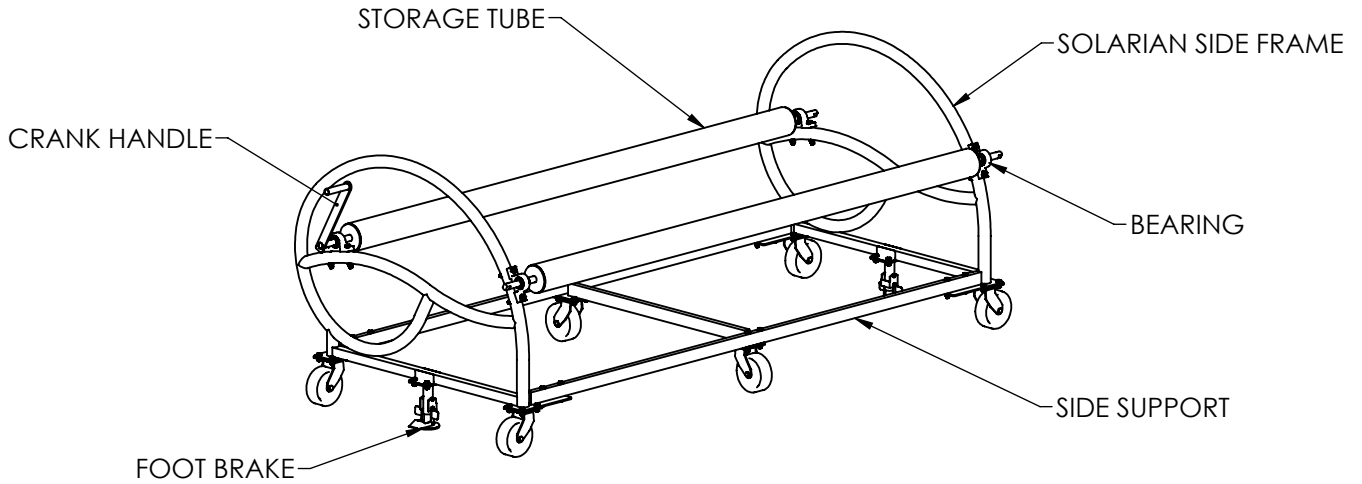
BILL OF MATERIALS

ITEM NO.	PART #	QTY.	DESCRIPTION	MATERIAL	RAW MATERIAL	RAW QUANTITY
1	144294	2	SOLARIAN END CROSS BAR	1.50" x .065" 304L SERIES S.S. SQR. TUBE	580500-03	3.675'
2	144296	2	SOLARIAN WINDER SIDE	1.90" x .145" 304L SERIES S.S. TUBE	500700-03	17.835'
3	53643	4	CASTER PLATE	3/16" 304 S.S. RAW PLATE	DIRMATL	N/A
4	53991	4	FLOOR LOCK FLANGE	1.50"x1.50"x.125" 304L S.S. ANGLE	INVENTORY	N/A
5	144297	2	WINDER BRACE	1.00"x2.00"x.065" 304 S.S. REC. TUBE	502050-03	21.000'
6	47506	2	PLATE WINDER	12 GA. 304L S.S. SHEET	INVENTORY	N/A
7	53580	1	MID BRACE BAR	1.00"x2.00"x.065" 304 S.S. REC. BAR	502050-03	3.26
8	53658	2	7.5" S.S. FLOOR LOCK	STAINLESS STEEL	INVENTORY	N/A
9	53597	6	SWVL CASTER 6" (TK) S.S.	STAINLESS STEEL	552200-03	N/A
10	20022	28	SCREW HC 3/8"-16x1"	300 SERIES STAINLESS STEEL	FASTNER	N/A
11	20012	88	WASHER FW 3/8"	300 SERIES STAINLESS STEEL	FASTNER	N/A
12	20017	44	WASHER LW 3/8"	300 SERIES STAINLESS STEEL	FASTNER	N/A
13	20004	44	NUT FHN 3/8"-16	300 SERIES STAINLESS STEEL	FASTNER	N/A
14	16771	2	PILLOW BLOCK 1" NICKLE			N/A
18	20150	12	SCREW HC 3/8"-16x3"	300 SERIES STAINLESS STEEL	FASTNER	N/A
19	20109	4	SCREW HC 3/8"-16x3 1/2"	300 SERIES STAINLESS STEEL	FASTNER	N/A
20	53649	1	WINDER PIPE	S.S. WELEDED PIPE 4" SCH 10	506353-03	VARIABLE
21	53648	2	INTERNAL FIN	1 1/2"x3/16" 304L SERIES S.S. RECT BAR	505200-03	.333'
22	53647	2	STORAGE TUBE END CAP	3/16" 304L SERIES S.S. SHEET	INVENTORY	N/A
23	53646	2	WINDER SHAFT	1.00" 304 S.S. RND. BAR	503300-03	0.98
25	53583	1	CRANK ARM	1.50"x.25" 304 S.S. REC. BAR		
26	53584	1	CRANK HAND GRIP	1.00"x.083" 304 SERIES S.S. TUBE	500150-03	0.38



PROPRIETARY AND CONFIDENTIAL THE INFORMATION CONTAINED IN THIS DRAWING IS THE SOLE PROPERTY OF SPECTRUM PRODUCTS LLC. ANY REPRODUCTION IN PART OR AS A WHOLE WITHOUT THE WRITTEN PERMISSION OF SPECTRUM PRODUCTS LLC. IS PROHIBITED.	SIZE	DWG. NO.	REV
	B	144013	A
	SCALE: 1:16	MASS: 15609.41	SH. 4 OF 7

SOLARIAN II



NOTE:

1 DIMENSIONS VARY WITH SPECIFIC APPLICATIONS.
 SPECIFICATIONS ARE NOMINAL AND ARE SUBJECT TO CHANGE.
 PLEASE CONTACT SPECTRUM AQUATICS FOR CUSTOM APPLICATIONS.

SIZE	A	B
15 FOOT	214.125"	192"
18 FOOT	250.125"	228"
20 FOOT	274.125"	252"



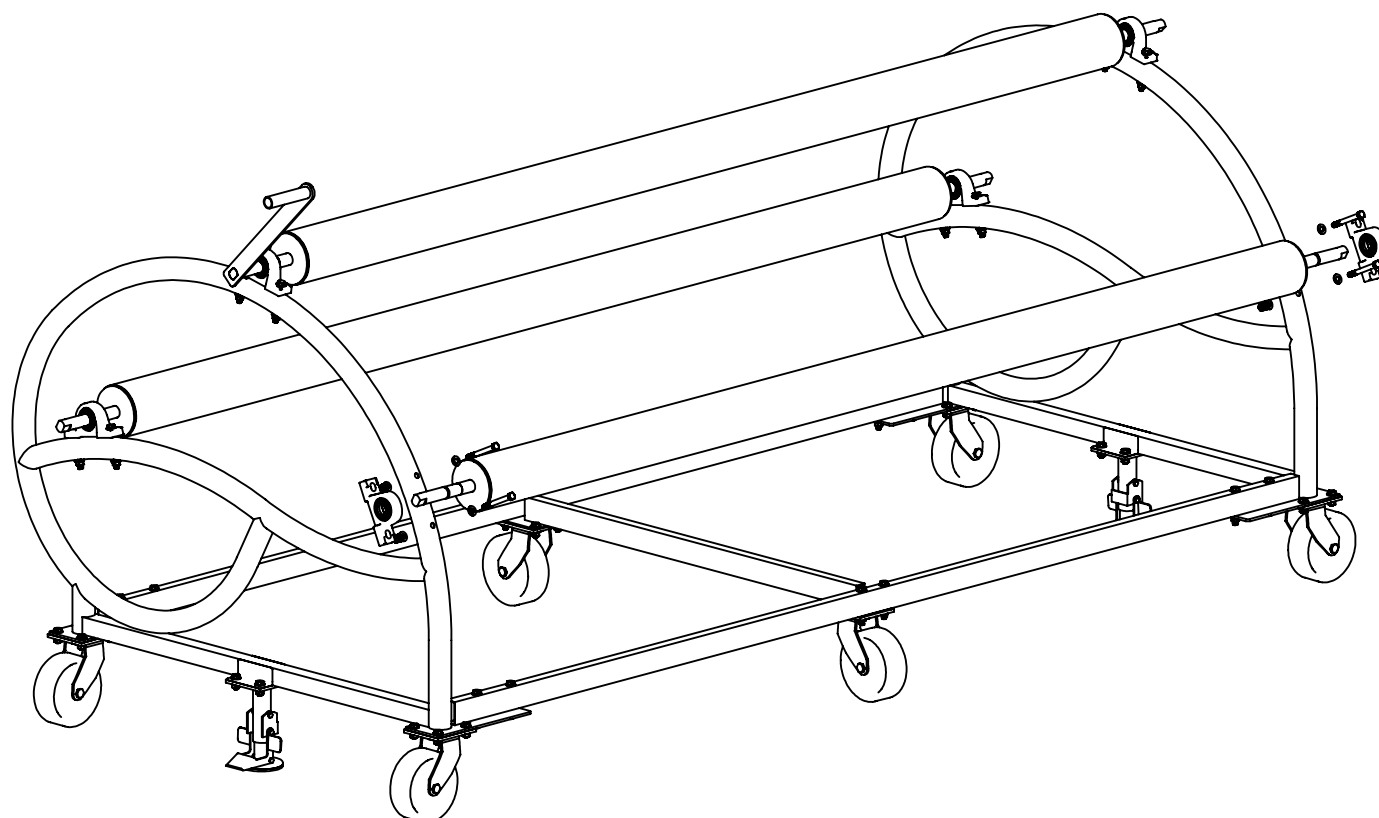
7100 SPECTRUM LANE
 MISSOULA, MT 59808
 VOICE: 406.542.9781
 FAX: 406.542.1158

ENGINEERING DATA

PRODUCT:	SOLARIAN WINDER
PRODUCT #:	
REVISION:	A
MATERIAL:	SEE PARTS LIST

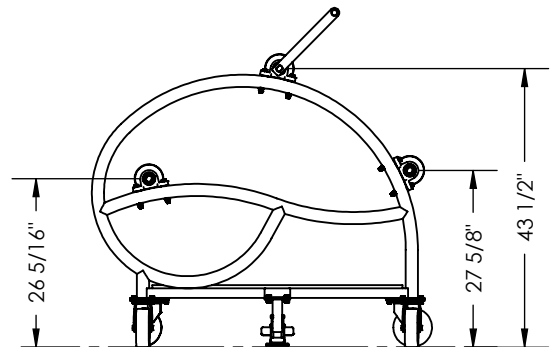
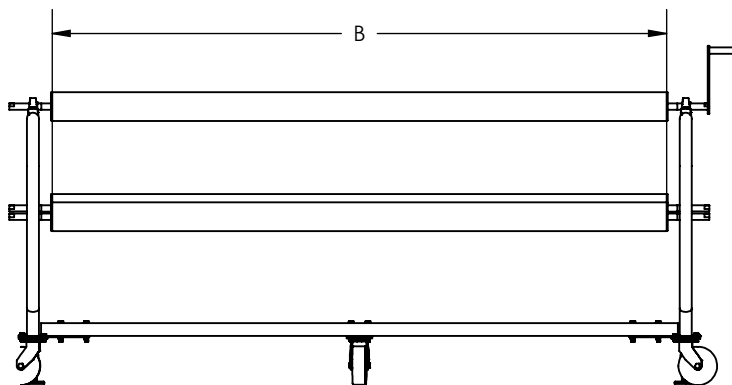
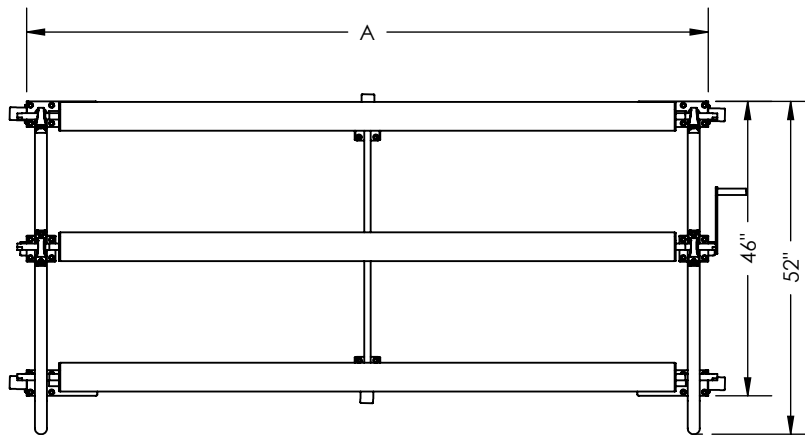
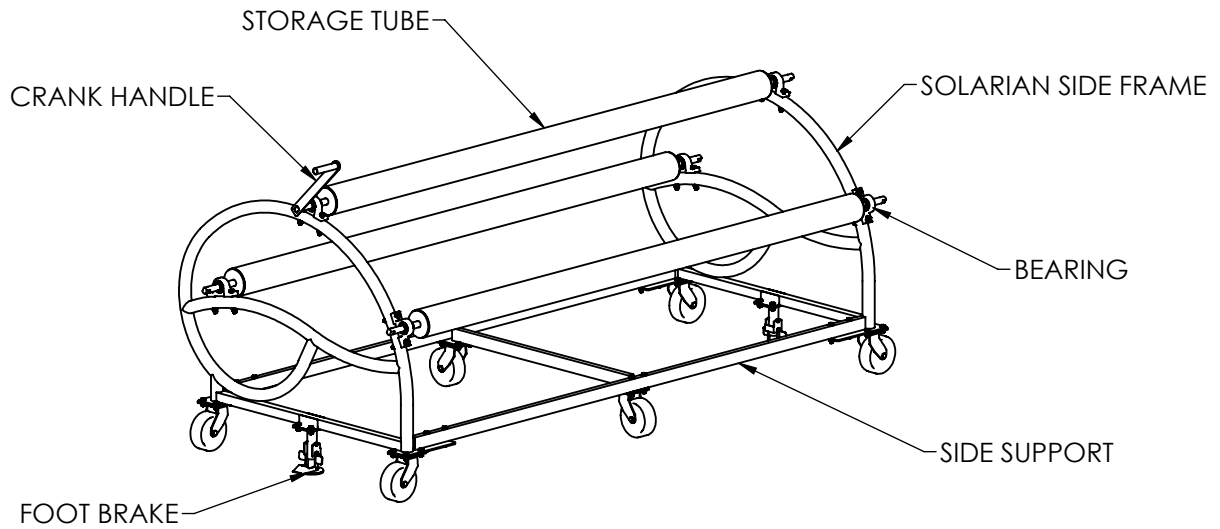
BILL OF MATERIALS

ITEM NO.	PART #	QTY.	DESCRIPTION	MATERIAL	RAW MATERIAL	RAW QUANTITY
1	144294	2	SOLARIAN END CROSS BAR	1.50" x .065" 304L SERIES S.S. SQR. TUBE	580500-03	3.675'
2	144296	2	SOLARIAN WINDER SIDE	1.90" x .145" 304L SERIES S.S. TUBE	500700-03	17.835'
3	53643	4	CASTER PLATE	3/16" 304 S.S. RAW PLATE	DIRMATL	N/A
4	53991	4	FLOOR LOCK FLANGE	1.50"x1.50"x.125" 304L S.S. ANGLE	INVENTORY	N/A
5	144297	2	WINDER BRACE	1.00"x2.00"x.065" 304 S.S. REC. TUBE	502050-03	21.000'
6	47506	2	PLATE WINDER	12 GA. 304L S.S. SHEET	INVENTORY	N/A
7	53580	1	MID BRACE BAR	1.00"x2.00"x.065" 304 S.S. REC. BAR	502050-03	3.26
8	53658	2	7.5" S.S. FLOOR LOCK	STAINLESS STEEL	INVENTORY	N/A
9	53597	6	SWVL CASTER 6" (TK) S.S.	STAINLESS STEEL	552200-03	N/A
10	20022	28	SCREW HC 3/8"-16x1"	300 SERIES STAINLESS STEEL	FASTNER	N/A
11	20012	104	WASHER FW 3/8"	300 SERIES STAINLESS STEEL	FASTNER	N/A
12	20017	52	WASHER LW 3/8"	300 SERIES STAINLESS STEEL	FASTNER	N/A
13	20004	52	NUT FHN 3/8"-16	300 SERIES STAINLESS STEEL	FASTNER	N/A
14	16771	6	PILLOW BLOCK 1" NICKLE			N/A
18	20150	12	SCREW HC 3/8"-16x3"	300 SERIES STAINLESS STEEL	FASTNER	N/A
19	20109	12	SCREW HC 3/8"-16x3 1/2"	300 SERIES STAINLESS STEEL	FASTNER	N/A
20	53649	3	WINDER PIPE	S.S. WELEDED PIPE 4" SCH 10	506353-03	20.00'
21	53648	6	INTERNAL FIN	1 1/2"x3/16" 304L SERIES S.S. RECT BAR	505200-03	.333'
22	53647	6	STORAGE TUBE END CAP	3/16" 304L SERIES S.S. SHEET	INVENTORY	N/A
23	53646	6	WINDER SHAFT	1.00" 304 S.S. RND. BAR	503300-03	0.98
24	53583	1	CRANK ARM	1.50"x.25" 304 S.S. REC. BAR		
25	53584	1	CRANK HAND GRIP	1.00"x.083" 304 SERIES S.S. TUBE	500150-03	0.38



PROPRIETARY AND CONFIDENTIAL			SIZE	DWG. NO.	REV
THE INFORMATION CONTAINED IN THIS DRAWING IS THE SOLE PROPERTY OF SPECTRUM PRODUCTS LLC. ANY REPRODUCTION IN PART OR AS A WHOLE WITHOUT THE WRITTEN PERMISSION OF SPECTRUM PRODUCTS LLC. IS PROHIBITED.			B	144013	A
			SCALE: 1:16	MASS: 15609.41	SH. 6 OF 7

SOLARIAN III



NOTE:

1 DIMENSIONS VARY WITH SPECIFIC APPLICATIONS.
 SPECIFICATIONS ARE NOMINAL AND ARE SUBJECT TO CHANGE.
 PLEASE CONTACT SPECTRUM AQUATICS FOR CUSTOM APPLICATIONS.

SIZE	A	B
15 FOOT	214.125"	192"
18 FOOT	250.125"	228"
20 FOOT	274.125"	252"



7100 SPECTRUM LANE
 MISSOULA, MT 59808
 VOICE: 406.542.9781
 FAX: 406.542.1158

ENGINEERING DATA

PRODUCT:	SOLARIAN WINDER
PRODUCT #:	
REVISION:	A
MATERIAL:	SEE PARTS LIST