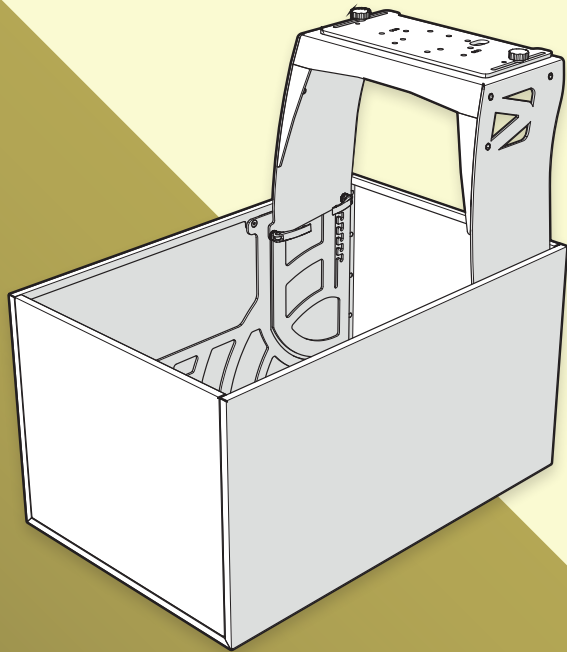


# CoffeeRacer 'Living'

## USER MANUAL



# Table of contents

<b>1</b>	<b>Introduction</b>	<b>3</b>	<b>5</b>	<b>Use</b>	<b>14</b>
1.1	Symbols in this manual	3	5.1	Before use	14
1.2	Contact details	3	5.1.1	Placing the CoffeeRacer	14
			5.1.2	Folding up the bridge	14
<b>2</b>	<b>Description</b>	<b>4</b>	5.1.3	Setting the pedals	15
2.1	Design and function	4	5.2	Using the CoffeeRacer	15
2.2	Main parts	4	5.3	After use	16
2.3	Specifications	4	5.3.1	Storing the pedals	16
2.4	Warranty	5	5.3.2	Folding down the bridge	17
			5.3.3	Putting away the CoffeeRacer	17
<b>3</b>	<b>Safety</b>	<b>6</b>			
			<b>6</b>	<b>Troubleshooting</b>	<b>18</b>
<b>4</b>	<b>Installation</b>	<b>6</b>	<b>7</b>	<b>Disposal</b>	<b>18</b>
4.1	Delivery	7			
4.2	Assembly	7	<b>8</b>	<b>Appendix I – Warranty</b>	<b>18</b>
4.2.1	Preparation	8			
4.2.2	Installing the pedals	9	<b>9</b>	<b>Appendix II – Compatibility</b>	<b>19</b>
4.2.3	Installing the steering wheel	10			
4.2.4	Feeding the cables	11			
4.2.5	Finalising the installation	12			

# 1 Introduction

This manual contains instructions and safety information for the installation and use of the CoffeeRacer 'Living' and its accessories. Store this manual with the CoffeeRacer.

## 1.1 SYMBOLS IN THIS MANUAL

This manual contains safety instructions. Ignoring these instructions may lead to injury or damage to the appliance. Each safety instruction is indicated with a signal word.

---

**⚠ CAUTION**

This symbol indicates a hazardous situation which, if not avoided, could result in minor or moderate injury.

---

**NOTICE**

This symbol indicates a situation which, if not avoided, could result in damage to the product.

---

Other symbols in this manual do not refer to safety.

---

**i** This symbol indicates information that might be useful to some users.

---

## 1.2 CONTACT DETAILS

---

<b>Manufacturer</b>	CoffeeRacer
<b>E-mail</b>	info@CoffeeRacer.com
<b>Website</b>	CoffeeRacer.com

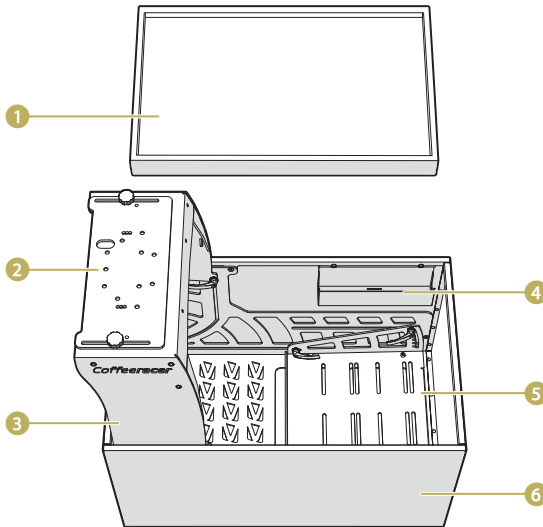
---

## 2 Description

### 2.1 DESIGN AND FUNCTION

The CoffeeRacer 'Living' is a high end racing solution for those who make the most of their space. The CoffeeRacer is designed to hold entry level to semi-professional racing wheels and pedals. The CoffeeRacer can fold away inside the box to hide in plain sight.

### 2.2 MAIN PARTS



- |                   |               |
|-------------------|---------------|
| 1 Lid / Tray      | 4 Adapter box |
| 2 Wheelbase plate | 5 Pedal plate |
| 3 Bridge          | 6 Frame / Box |

### 2.3 SPECIFICATIONS

<b>Storage appearance</b>	Coffee table, plant stand
<b>Envisioned use</b>	Console racing, living room
<b>Seat</b>	Couch, lounge chair
<b>Direct Drive wheelbases</b>	Yes, up to CSL DD Boost kit / Logitech Pro (11NM)
<b>Load cell brakes capability</b>	Low to medium force

<b>Handbrake / shifter</b>	DIY
<b>Cable management</b>	Out the top when open, disconnected when stored
<b>Mobility</b>	Slide across the floor, magnet felt patches
<b>Size (D x W x H)</b>	70 x 48 x 40 cm without tray
<b>Height wheelbase</b>	From 58 till 77 cm
<b>Wheelbase depth adjustability</b>	12 cm
<b>Pedal plate depth</b>	0 till 34 cm
<b>Pedal plate inclination</b>	0 to 20 degrees
<b>Weight</b>	34 kg, mix steel/alu
<b>Frame</b>	4 mm steel
<b>Bridge &amp; pedal plate</b>	4 mm steel
<b>Wheelbase plate</b>	6 mm steel
<b>Bottom plate</b>	Flush, for plant stand use
<b>Cover</b>	Oak/Walnut herringbone
<b>Fixings/clamps</b>	Quick releases
<b>Exterior colour</b>	Black Metallic / White metallic Textured powder coating
<b>Interior colour</b>	Green and gold metallic Textured powder coating
<b>Feet</b>	Magnet felt / Felt stickers
<b>Shipment</b>	Box 35 kg + box 6 kg
<b>Assembly</b>	Factory assembled, welded & grinded

## 2.4 WARRANTY

The terms and conditions that apply to the CoffeeRacer can be found in Appendix I.

## 3 Safety

---

### **⚠ CAUTION**

Risk of injury.

- Metal parts might be sharp.
  - Unpack, assemble, and move with two or more persons (weighs over 40 kg w/out steering wheel).
  - Watch your fingers and fingers of others when adjusting the position of the pedals or folding down the bridge.
  - Ensure all fasteners are properly secured before operating the CoffeeRacer.
  - CoffeeRacer is not a toy and should not be operated by children without adult supervision.
- 

### **NOTICE**

Wrong handling could damage the CoffeeRacer.

- Do not use sharp objects during unboxing to avoid damaging the powder coating.
  - Make sure the screws go in straight. Do not apply force until the screw is completely in to avoid rethreading.
- 

## 4 Installation

Estimated time for installation: 1 hour

---

### **⚠ CAUTION**

Risky of injury.

- Unpack, assemble, and move with two or more persons (weighs over 40 kg w/out steering wheel).
- 

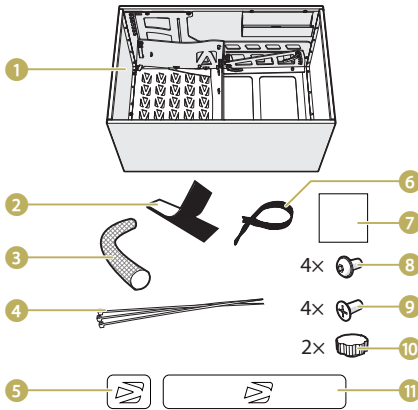
### **NOTICE**

Wrong handling could damage the CoffeeRacer.

- Do not use sharp objects during unboxing to avoid damaging the powder coating.
  - Protect the CoffeeRacer and the environment by assembling on a matt/rug.
  - Make sure the screws go in straight. Do not apply force until the screw is completely in to avoid rethreading.
-

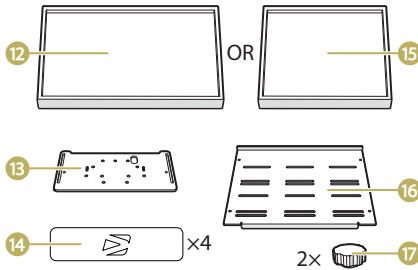
## 4.1 DELIVERY

The delivery consists of 2 boxes with CoffeeRacer parts. Please check if your delivery is complete.



### Box 1:

- 1 Frame with bridge
- 2 Square felt stickers
- 3 Cable ties
- 4 Velcro strip
- 5 Cable sock
- 6 Velcro cable ties
- 7 Square rubber strip
- 8 Silver flange bolts
- 9 Silver countersunk bolts
- 10 Thumbscrews
- 11 Large rubber strip



### Box 2:

- 12 Tray (coffeetable)
- 13 Wheelbase plate
- 14 Magnetic felt patches (pedestal)
- 15 Tray (pedestal)
- 16 Pedal plate
- 17 Thumbscrews

## 4.2 ASSEMBLY

### NOTICE

Wrong handling could damage the CoffeeRacer. Protect the CoffeeRacer and the environment by assembling on a matt/rug.

Required tools:

- Hex key 4 mm (included)

#### 4.2.1 Preparation

Remove the CoffeeRacer from its box. Remove the plastic from the CoffeeRacer.

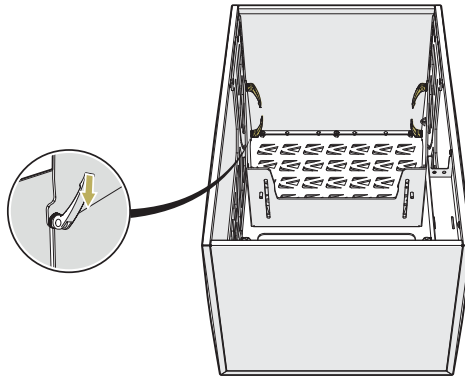
For the coffee table:

- Apply six felt stickers to the underside of the CoffeeRacer.

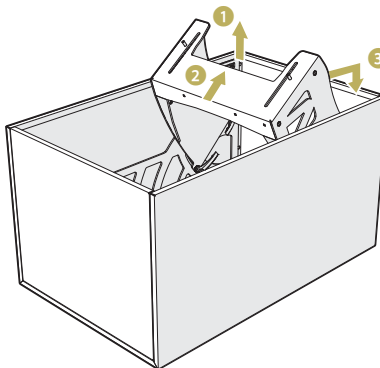
For the pedestal:

- Apply four felt stickers to the rear side (driver side) of the CoffeeRacer.
- Apply two magnet felt patches to the underside of the CoffeeRacer.

First, fold up the bridge from the frame.



1. Release the four quick releases on the bridge.



2. Pull up the bridge until it cannot go any further.
3. Tilt the bridge upright.
4. Pull up the bridge completely and hook the bridge in racing mode by tilting it rearwards and lowering it.



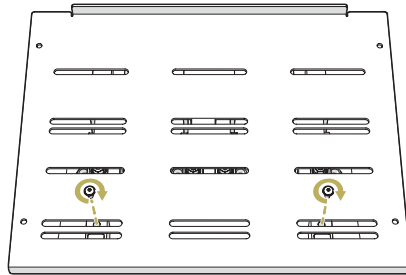
5. Fasten the bridge with the four quick releases.

#### 4.2.2 Installing the pedals

First mount the pedal set to the pedal plate:

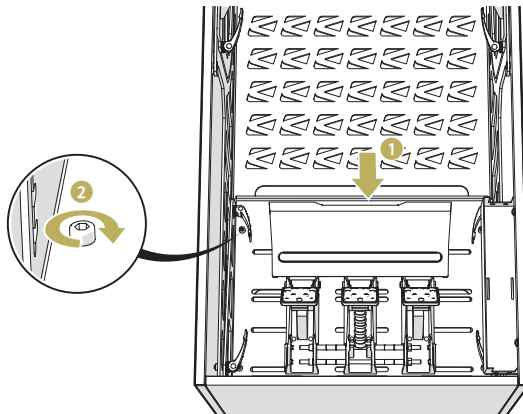
- i** Holes are pre-drilled for most common pedal sets (see Appendix II for a list of tested pedal sets). For some pedal sets, additional holes might be required.

1. Flip the pedal set upside down.



2. Place the pedal plate upside down on top of the pedal set.
  3. Insert the silver flange bolts in the pedal set through the pedal plate.
- i** Two screws on the front are tested to be sufficient. You can add more if the hole pattern allows. You can drill additional holes if you have experience with drilling aluminium.

Finally, mount the pedal plate with the pedal set in the frame:



1. Slide the pedal plate into the frame.
2. Mount the pedal plate with the four hex bolts.

### 4.2.3 Installing the steering wheel

#### NOTICE

Avoid damage to the wheelbase. Attach the wheelbase to the wheelbase plate with the correct size screws.

Steering wheels with bottom connectors allow cables to feed through the wheelbase plate. Steering wheels with back connectors require routing the cables around the bridge.

**i** *The steering wheel depicted is an example. Yours may differ.*

Holes are pre-drilled for most common wheels, see Appendix II for a list of tested wheels.

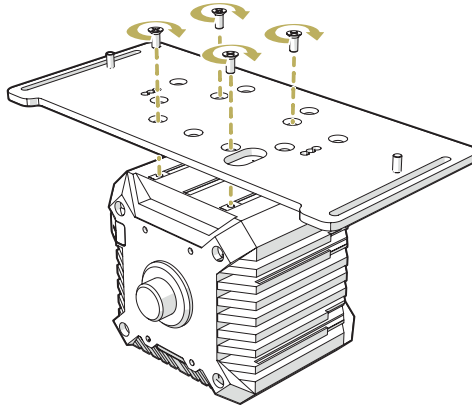
For some wheelbases and pedal sets, additional holes might be required.

First mount the wheelbase to the wheelbase plate.

If your wheel is fitted with bottom connectors, first follow these three steps:

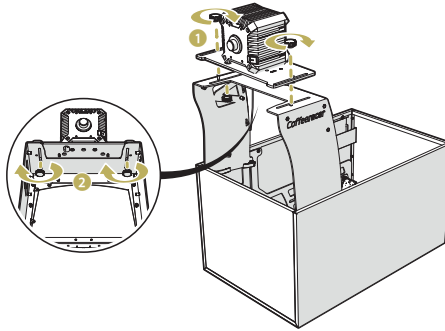
1. Run the cables through the cable sock.
2. Connect all the cables to the wheelbase.
3. Pull the cables through the cable hole in the wheelbase plate. Don not forget to feed the pedal set cable as well and connect it to the wheelbase.

If your wheel is fitted with bottom connectors, continue. If your wheel is fitted with back connectors, start here:



1. Flip the wheelbase upside down.
2. Insert four silver countersunk bolts in the wheelbase through the wheelbase plate.

Finally, mount the wheelbase plate to the bridge:



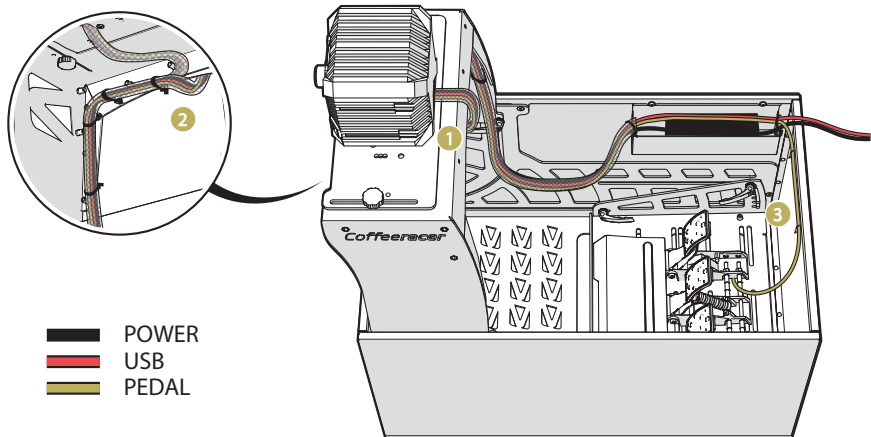
1. Place the wheelbase plate on the bridge.
2. Insert the two top thumbscrews on the bridge.
3. Insert the two bottom thumbscrews under the bridge.

#### 4.2.4 Feeding the cables

**NOTICE**

Avoid damage to your racing wheel cables. Leave enough slack on the wires between the adapter box and the bridge so the bridge can move freely.

Feed the cables from the wheel towards the output:



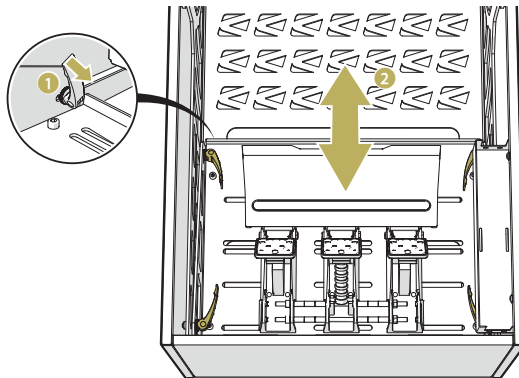
1. Lay out the cables of the pedal set and wheelbase.
  - a. Feed the pedal set cable through the adapter box towards the wheelbase.
  - b. Feed the USB cable from the wheelbase through the adapter box to the cable output.
  - c. Feed the power cable from the wheelbase to the adapter in the adapter box.
  - d. Feed the power cable from the adapter to the cable output.
2. Put the cable sock around the USB cable, pedal set cable and power cable coming out of the wheelbase. If your wheel is fitted with bottom connectors, you already installed the cable sock.
3. Feed the cables from the wheel down behind the bridge. If your wheel is fitted with bottom connectors, the cables feed from the bottom of the bridge already.
4. Make sure the adjustment on the wheelbase and pedals are set in the furthest position.
  - a. Make sure the bridge is set in the highest position.
  - b. Make sure the pedal plate is set fully to the front.
  - c. Make sure the wheelbase pale is set fully to the back (towards the driver).
5. Secure the cable sock with cables to the hooks under the bridge with the cable ties.

#### 4.2.5 Finalising the installation

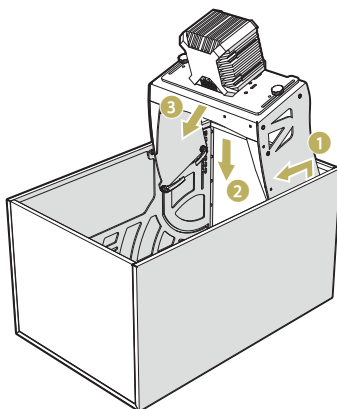
##### **CAUTION**

Risk of injury. Watch your fingers when adjusting the position of the pedals or folding down the bridge.

Slide the pedals to the folded position. The position depends on your type of racing wheel (see Appendix II).



1. Release the four quick releases on the pedal plate.
2. Slide the pedals forwards to the folded position.
- i** Some pedal sets require moving rearwards to the folded position. See Appendix II for a list of tested wheels.



1. Release the four quick releases on the bridge.
- i** You may need to adjust the wheelbase plate to fit inside the CoffeeRacer. Adjust the plate by unscrewing the four knobs, sliding the plate, and tightening the knobs again.
2. Pull up the bridge and push it towards the front of the CoffeeRacer.
3. Lower the bridge.
4. Tilt the bridge downwards and lower it until it cannot go further.
5. Fasten the four quick releases on the bridge.

For the coffeetable: slide the CoffeeRacer to the desired position and place the lid on top to close the CoffeeRacer.

- i** You may need to remove the steering wheel from the wheelbase to fit inside the CoffeeRacer.

For the pedestal:

1. Move the CoffeeRacer to the desired position.
2. Tilt the CoffeeRacer upright with the open side towards the wall.
3. Remove the magnet felt patches from the side and place them on top of the pedestal.
4. Put the tray on top of the pedestal.

# 5 Use

## 5.1 BEFORE USE

### 5.1.1 Placing the CoffeeRacer

For the coffee table:

1. Remove the tray from the coffee table.
2. Move the CoffeeRacer in front of the seat.

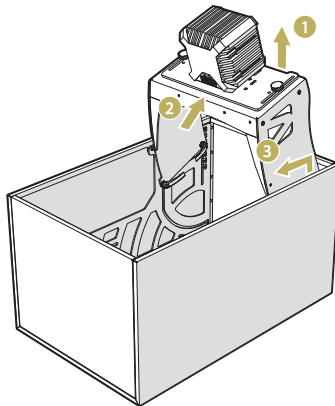
For the pedestal:

1. Remove the tray from the pedestal.
2. Remove the magnet felt patches from the top of the pedestal and place them on the front.
3. Tilt the CoffeeRacer down with the open side facing up.
4. Move the CoffeeRacer in front of the seat.

**i** You may need to put rubber strips underneath the CoffeeRacer if you experience sliding around. This can occur with slick floors in combination with load cell pedals or intense driving. Put the large strips underneath the CoffeeRacer and the square strips under the back legs of the chair.

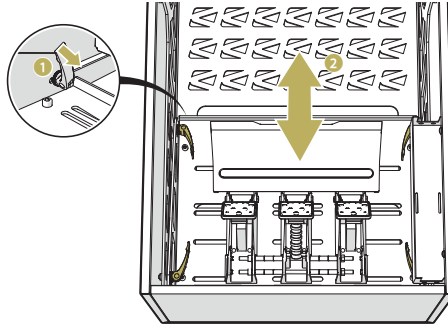
### 5.1.2 Folding up the bridge

1. Release the four quick releases on the bridge.



2. Pull up the bridge until it cannot go any further.
3. Tilt the bridge upright.
4. Pull up the bridge completely and hook the bridge in boarding mode by tilting it forward.

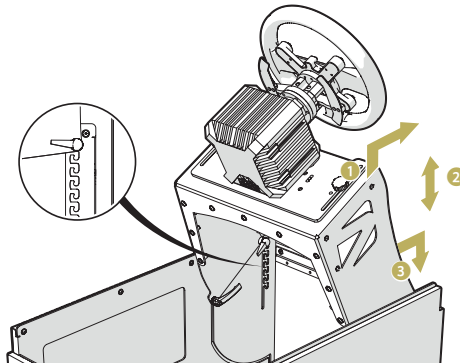
### 5.1.3 Setting the pedals



1. Release the four quick releases on the pedal plate.
2. Slide the pedals to the desired position.
- i** You could mark your desired position with a piece of tape or a sticker.
3. Change the angle of the pedal plate to the desired position.
4. Fasten the four quick releases on the pedal plate by pushing the quick release into the notch. Start with the front quick releases.

### 5.2 USING THE COFFEERACER

To set the bridge from boarding mode to racing mode:



1. Whilst seated, pull the bridge with the wheel towards your shoulders to release it from the boarding mode.
2. Lower the bridge to the desired position. Support the bridge to prevent it from falling.
3. Pull the bridge towards you and lower it at the desired height to hook it in racing mode.
4. Fasten the four quick releases on the bridge.

Then adjust the wheelbase plate to the desired position.

1. Unscrew the four knobs on the wheelbase plate.
2. Slide the plate to the desired position.
3. Tighten the four knobs again.

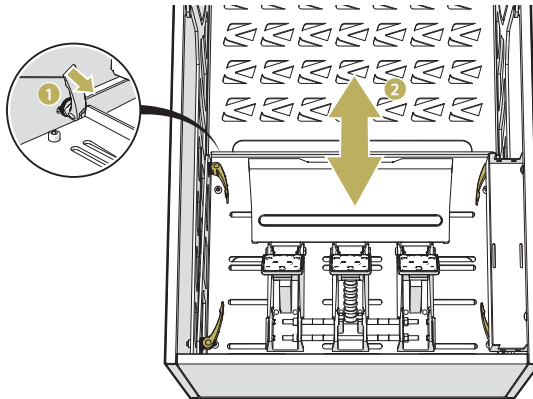
### 5.3 AFTER USE

#### **CAUTION**

Risk of injury. Watch your fingers when adjusting the position of the pedals or folding down the bridge.

#### 5.3.1 Storing the pedals

Slide the pedals to the folded position. The position depends on your type of racing wheel (see Appendix II).



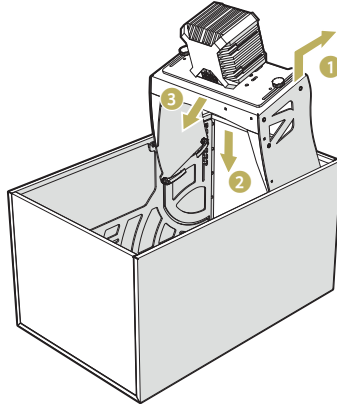
1. Release the four quick releases on the pedal plate.
2. Slide the pedals forwards to the folded position.
- i** Some pedal sets require moving rearwards to the folded position. See Appendix II for a list of tested wheels.



### 5.3.2 Folding down the bridge

#### NOTICE

Avoid damage to your racing wheel. Make sure the pedals and the wheelbase do not collide. Be extra careful with rear cables.



1. Release the four quick releases on the bridge.
- i** You may need to adjust the wheelbase plate to fit inside the CoffeeRacer and prevent stress on the cables.
2. Pull up the bridge and push it towards the front of the CoffeeRacer.
3. Lower the bridge.
4. Tilt the bridge downwards and lower it until it cannot go further.
5. Fasten two quick releases on the bridge.

### 5.3.3 Putting away the CoffeeRacer

For the coffeetable: slide the CoffeeRacer to the desired position and place the lid on top to close the CoffeeRacer.

- i** You may need to remove the steering wheel from the wheelbase to fit inside the CoffeeRacer.

For the pedestal:

1. Move the CoffeeRacer to the desired position.
2. Tilt the CoffeeRacer upright with the open side towards the wall.
3. Remove the magnet felt patches from the side and place them on top of the pedestal.
4. Put the tray on top of the pedestal.

## 6 Troubleshooting

Problem	Possible cause	Possible solution
My wheel does not fit on the plates.	There are no pre-drilled holes in the plates for your specific wheel.	Check the compatibility of your wheel with the CoffeeRacer.
		Use the clamp of your wheel to clamp it to the wheelbase plate.
		Drill additional holes in the plate to fit your wheel.
The CoffeeRacer does not close properly.	The pedals are not in the right position.	Adjust the position of your pedals either fully to the front of the CoffeeRacer or to the rear (see Appendix II).
	The steering wheel is blocking the lid.	Remove the steering wheel from the wheelbase and store it separately in the CoffeeRacer.
	The cables are stuck when closing the CoffeeRacer.	Check the position of the cables. Check whether the cables are long enough for the adjustments.

## 7 Disposal



Separate and dispose the components of the CoffeeRacer into the applicable waste streams based on their materials, in accordance with local regulations.

## 8 Appendix I – Warranty

Thank you for your interest in the products and services of CoffeeRacer. This Limited Warranty applies to physical goods, and only for physical goods, purchased from CoffeeRacer B.V. (the “Physical Goods”). Did you buy the product from one of our resellers, warranty is handled through their respective channels

### **What does this limited warranty cover?**

This Limited Warranty covers any defects in material or workmanship under normal use during the Warranty Period. During the Warranty Period, CoffeeRacer will repair or replace, at no charge, products or parts of a product that proves defective because of improper material or workmanship, under normal use and maintenance. What will we do to correct problems? CoffeeRacer will either replace or repair the Product at no charge.

### **How long does the coverage last?**

The Warranty Period for Physical Goods purchased from CoffeeRacer is 1 year from the date of purchase. A replacement Physical Good or part assumes the remaining warranty of the original Physical Good or 1 year from the date of replacement or repair, whichever is longer.

### **What does this limited warranty not cover?**

This Limited Warranty does not cover any problem that is caused by: • conditions, malfunctions or damage not resulting from defects in material or workmanship

### **What do you have to do?**

To obtain warranty service, you must first contact us at [info@CoffeeRacer.com](mailto:info@CoffeeRacer.com) to determine the problem and the most appropriate solution for you.

## **9 Appendix II – Compatibility**

The steering wheels and pedal sets listed below have been tested to work with the CoffeeRacer.

Put the pedal plate in the rear position (towards the driver) to accommodate folding the wheel:

- Fanatec CSL Elite + CSL Elite pedal set
- Fanatec CSL DD
- Thrustmaster T300
- Logitech Pro

Put the wheel in the front position (away from the driver) to accommodate folding the wheel:

- Logitech G932
- Logitech G25
- Logitech G27
- Logitech G29
- Logitech G320
- Thrustmaster T248



**CoffeeRacer B.V.**

Zuideinde 509 | 1035 PJ Amsterdam | The Netherlands

info@CoffeeRacer.com | www.CoffeeRacer.com