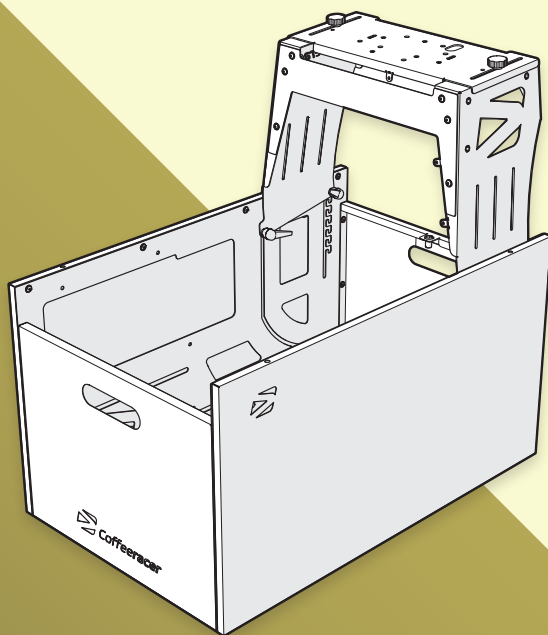


CoffeeRacer 'Go'

USER MANUAL



Coffeeracer
Everybody wins

Table of contents

1	Introduction	3	5	Use	20
1.1	Symbols in this manual	3	5.1	Before use	20
1.2	Contact details	3	5.1.1	Folding up the bridge	20
			5.1.2	Setting the pedals	21
2	Description	4	5.1.3	Hook on the desk chair mount (optional)	22
2.1	Design and function	4	5.2	Using the CoffeeRacer	23
2.2	Main parts	4	5.3	After use	23
2.3	Specifications	4	5.3.1	Unhook the chair mount (optional)	23
2.4	Warranty	5	5.3.2	Storing the pedals	24
			5.3.3	Folding down the bridge	24
3	Safety	6	5.3.4	Putting away the CoffeeRacer	25
4	Installation	6	6	Troubleshooting	26
4.1	Delivery	7			
4.2	Assembly	7	7	Disposal	26
4.2.1	Installing the pedal plate mounts	8			
4.2.2	Installing the bridge sides	9	8	Appendix I – Warranty	26
4.2.3	Installing the bottom plate	9			
4.2.4	Installing the bridge gusset	10	9	Appendix II – Compatibility	27
4.2.5	Installing the panels	10			
4.2.6	Installing the pedals	13			
4.2.7	Installing the steering wheel	14			
4.2.8	Installing the adapter box	15			
4.2.9	Feeding the cables	16			
4.2.10	Installing the desk chair mount (optional)	17			
4.2.11	Finalising the installation	19			

1 Introduction

This manual contains instructions and safety information for the installation and use of the CoffeeRacer 'Go' and its accessories. Store this manual with the CoffeeRacer.

1.1 SYMBOLS IN THIS MANUAL

This manual contains safety instructions. Ignoring these instructions may lead to injury or damage to the appliance. Each safety instruction is indicated with a signal word.

⚠ CAUTION

This symbol indicates a hazardous situation which, if not avoided, could result in minor or moderate injury.

NOTICE

This symbol indicates a situation which, if not avoided, could result in damage to the product.

Other symbols in this manual do not refer to safety.

i This symbol indicates information that might be useful to some users.

1.2 CONTACT DETAILS

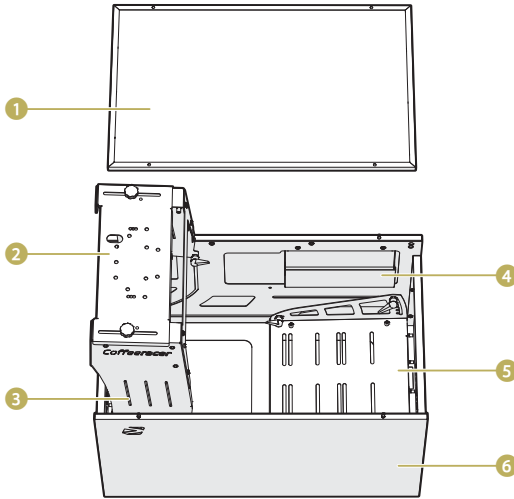
Manufacturer	CoffeeRacer
E-mail	info@CoffeeRacer.com
Website	CoffeeRacer.com

2 Description

2.1 DESIGN AND FUNCTION

The CoffeeRacer 'Go' is a high end racing solution for those who make the most of their space. The CoffeeRacer is designed to hold entry level to semi-professional racing wheels and pedals. The CoffeeRacer can fold away inside the box to stay out of sight.

2.2 MAIN PARTS



- 1 Lid
- 2 Wheelbase plate
- 3 Bridge
- 4 Adapter box
- 5 Pedal plate
- 6 Frame with panels

2.3 SPECIFICATIONS

Storage appearance	File cabinet, side table
Envisioned use	PC/console racing, anywhere
Seat	Desk chair, Couch & lounge chair
Direct Drive wheelbases	Yes, up to CSL DD (8NM)

Load cell brakes capability	Locked wheels: Low force Rubber feet: Medium force Desk chair mount: Medium force
Handbrake / shifter	Optional mount
Cable management	Out the bottom, stays connected when stored
Mobility	Carry across the room
Size (D x W x H)	75 x 48 x 43,5 cm
Height wheelbase	Rubber feet: 62 till 74 cm Wheels: From 67 till 79 cm
Wheelbase depth adjustability	12 cm
Pedal plate depth	13 till 40 cm
Pedal plate inclination	0 to 20 degrees
Weight	27 kg, steel
Frame	1,5 mm steel
Bridge & pedal plate	1,5 mm steel
Wheelbase plate	2 mm steel
Bottom plate	None, bare frame. Horizontal use only
Cover	0,8 mm steel, (Oak optional)
Fixings/clamps	Clamping levers
Exterior colour	White textured powder coating
Interior colour	White textured powder coating
Feet	M10 feet
Shipment	Flatpack 27 kg
Assembly	Home, bolted

2.4 WARRANTY

The terms and conditions that apply to the CoffeeRacer can be found in Appendix I.

3 Safety

⚠ CAUTION

Risk of injury.

- Metal parts might be sharp.
 - Watch your fingers and fingers of others when adjusting the position of the pedals or folding down the bridge.
 - Watch your fingers when hooking on the desk chair mount.
 - Ensure all fasteners are properly secured before operating the CoffeeRacer.
 - CoffeeRacer is not a toy and should not be operated by children without adult supervision.
-

NOTICE

Wrong handling could damage the CoffeeRacer.

- Do not use sharp objects during unboxing to avoid damaging the powder coating.
 - Make sure the screws go in straight. Do not apply force until the screw is completely in to avoid rethreading.
-

4 Installation

Estimated time for installation: 1 hour

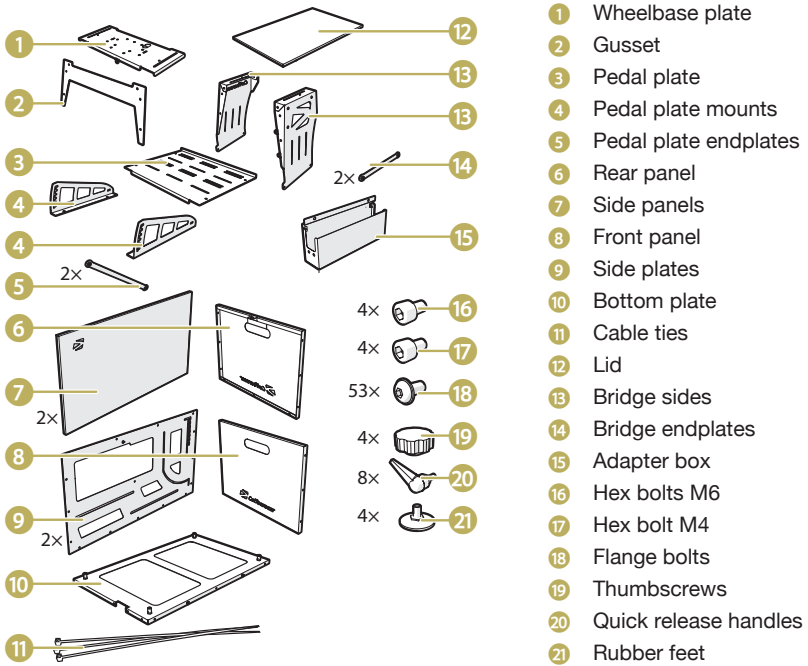
NOTICE

Wrong handling could damage the CoffeeRacer.

- Do not use sharp objects during unboxing to avoid damaging the powder coating.
 - Make sure the screws go in straight. Do not apply force until the screw is completely in to avoid rethreading.
-

4.1 DELIVERY

The delivery consists of 1 box with CoffeeRacer parts. Please check if your delivery is complete.



4.2 ASSEMBLY

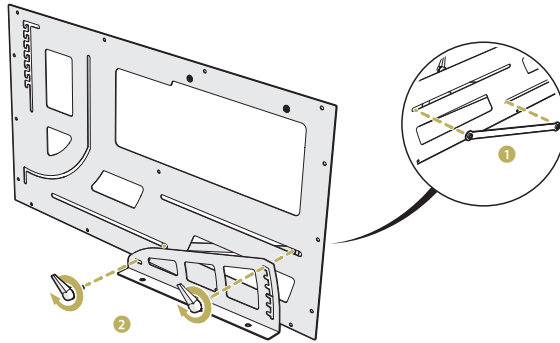
NOTICE

Wrong handling could damage the CoffeeRacer. Protect the CoffeeRacer and the environment by assembling on a matt/rug.

Required tools:

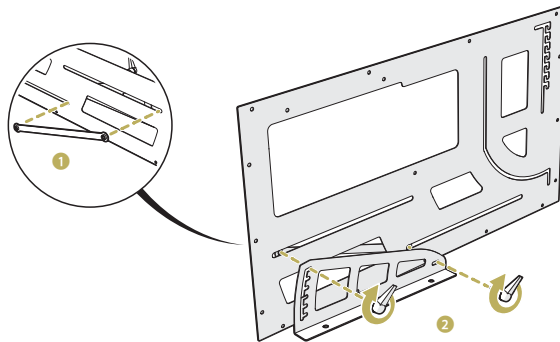
- Ball end hex key 3 mm (included)
- Ball end hex key 4 mm (included)
- Spanner 17 mm (not included)

4.2.1 Installing the pedal plate mounts

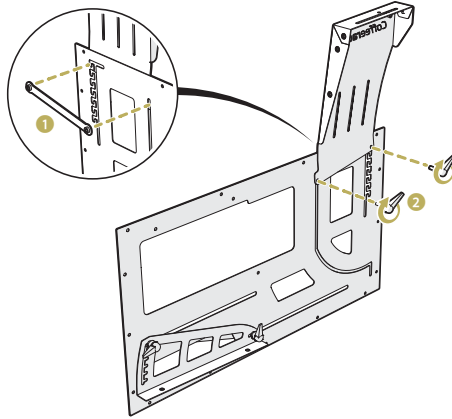


1. Place a pedal plate endplate behind the side plate and align with the holes.
2. Align the pedal plate mount with the holes on the side plate and endplate and attach with two quick release handles.

Then take the other side plate and repeat the steps for the opposite side.

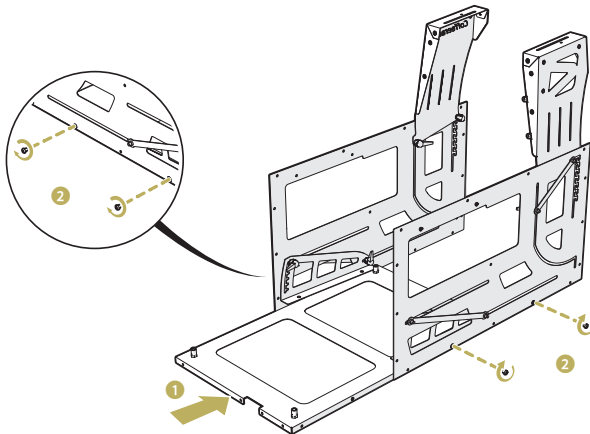


4.2.2 Installing the bridge sides



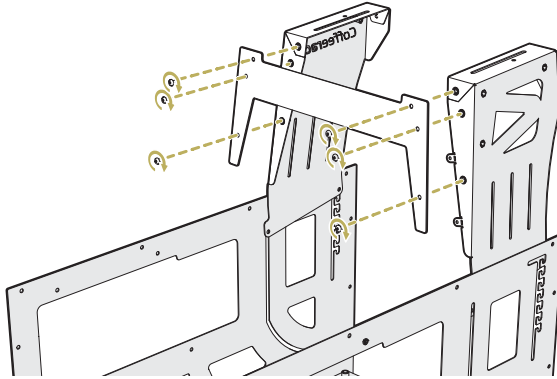
1. Place the bridge endplate behind the side plate and align with the holes.
2. Align the bridge with the holes on the side plate and endplate and attach with two quick release handles.
3. Repeat steps 1 and 2 for the side plate on the opposite side of the bridge.

4.2.3 Installing the bottom plate



1. Slide the bottom plate between the two side plates.
2. Attach the bottom plate to the side plates with four M5 black flange bolts.

4.2.4 Installing the bridge gusset



1. Place the gusset in front of the bridge sides.
2. Attach the gusset to the bridge side with 6 M5 flange bolts.

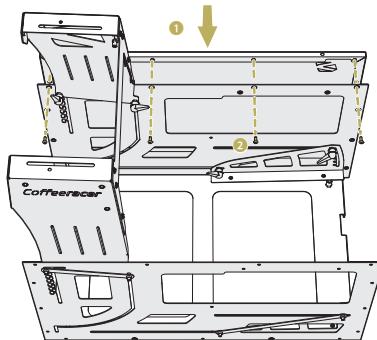
4.2.5 Installing the panels

NOTICE

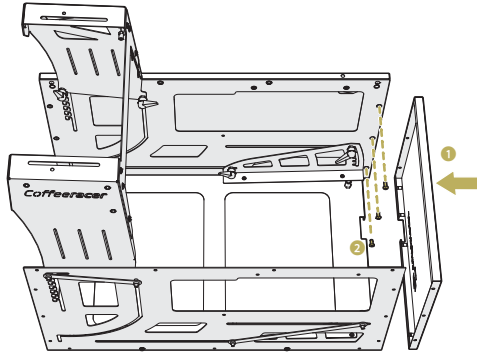
The side panels have a tight fit.

- Do not use force. This could damage the side panels.
- Do not tighten the bolts until they are all in place. Tightening early could warp the side panels.

Install one side panel first.

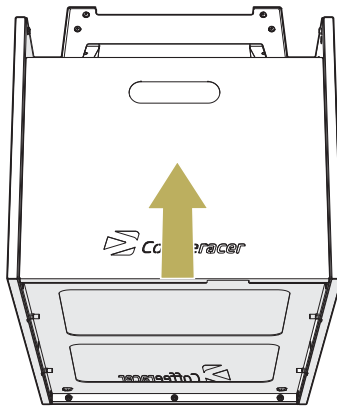


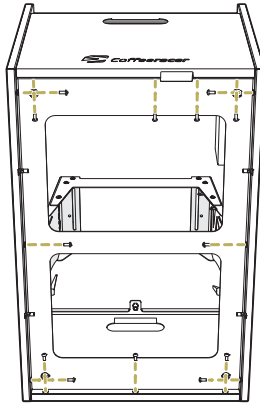
1. Place the side panel on the CoffeeRacer frame.
2. Attach the side panel to the frame with four M5 black flange bolts.



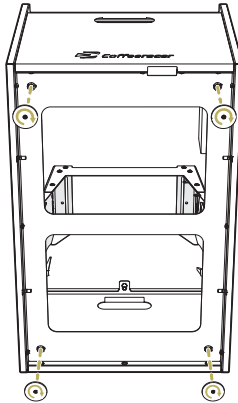
1. Place the front panel on the CoffeeRacer frame.
2. Attach the side panel to the frame with three M5 black flange bolts.
3. Repeat steps 1 and 2 for the rear panel.
4. Install the other side panel on the opposite side with 10 M5 black flange bolts.

Flip the CoffeeRacer on its back to finish installing the panels.





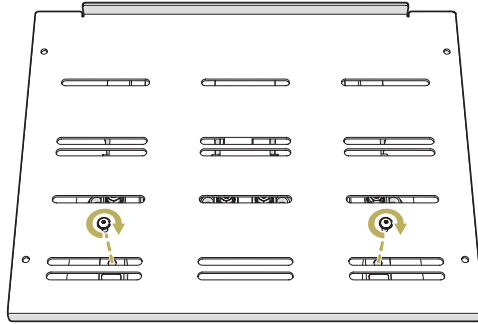
-
1. Secure the panels by inserting the 13 M5 black flange bolts on the bottom of the CoffeeRacer.



-
2. Screw the 4 rubber feet to the holes on the bottom of the CoffeeRacer.
 3. Flip the CoffeeRacer back on its feet.

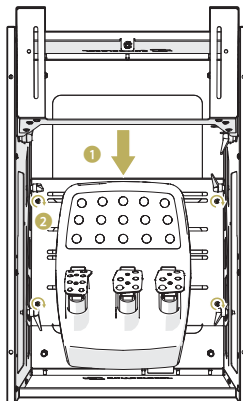
4.2.6 Installing the pedals

1. Flip the pedal set upside down.



2. Place the pedal plate upside down on top of the pedal set.
 3. Insert the silver flange bolts in the pedal set through the pedal plate.
- i** Two screws on the front are tested to be sufficient. You can add more if the hole pattern allows. You can drill additional holes if you have experience with drilling steel.

Finally, mount the pedal plate with the pedal set in the frame:



1. Slide the pedal plate into the frame.
2. Mount the pedal plate with four hex bolts.

4.2.7 Installing the steering wheel

NOTICE

Avoid damage to the wheelbase. Attach the wheelbase to the wheelbase plate with the correct size screws.

Steering wheels with bottom connectors allow cables to feed through the wheelbase plate. Steering wheels with back connectors require routing the cables around the bridge.

i *The steering wheel depicted is an example. Yours may differ.*

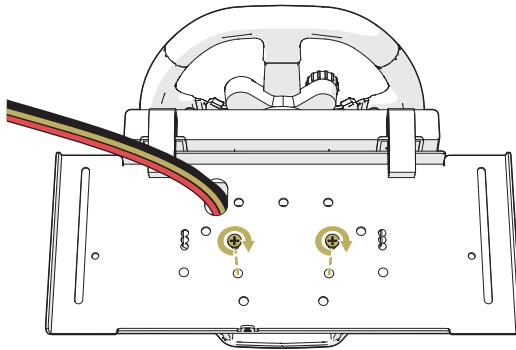
Holes are pre-drilled for most common wheels, see Appendix II for a list of tested wheels. For some wheelbases and pedal sets, additional holes might be required.

First mount the wheelbase to the wheelbase plate.

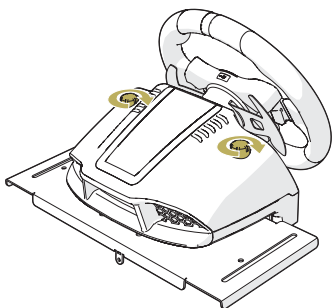
If your wheel is fitted with bottom connectors, first follow these three steps:

1. Connect all the cables to the wheelbase.
2. Pull the cables through the cable hole in the wheelbase plate. Don not forget to feed the pedal set cable as well and connect it to the wheelbase.

If your wheel is fitted with bottom connectors, continue. If your wheel is fitted with back connectors, start here:

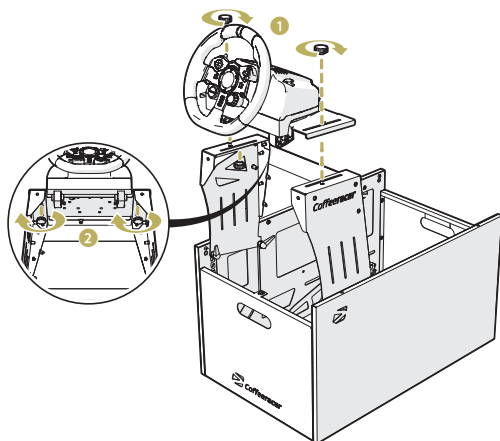


1. Flip the wheelbase upside down.
2. Insert two countersunk bolts in the wheelbase through the wheelbase plate.



-
3. Tighten the clamps of the steering wheel.

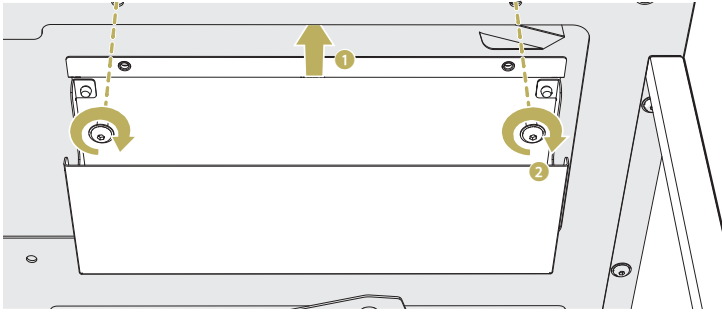
Finally, mount the wheelbase plate to the bridge:



-
1. Place the wheelbase plate on the bridge.
 2. Insert the two top thumbscrews on the bridge.
 3. Insert the two bottom thumbscrews under the bridge.

4.2.8 Installing the adapter box

If the adapter is large, put the adapter in the box. Then install the adapter box on the frame.



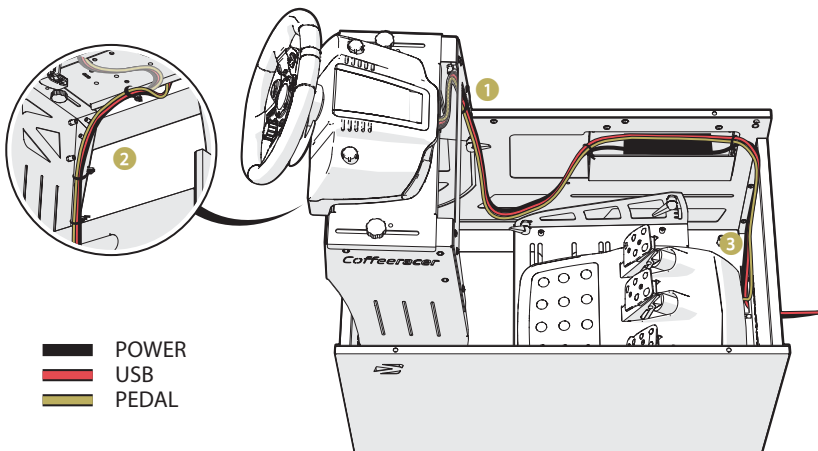
1. Slide the adapter box between the frame and the side panel.
2. Mount the adapter box to the frame with 2 flange bolts.

4.2.9 Feeding the cables

NOTICE

Avoid damage to your racing wheel cables. Leave enough slack on the wires between the adapter box and the bridge so the bridge can move freely.

Feed the cables from the wheel towards the output:

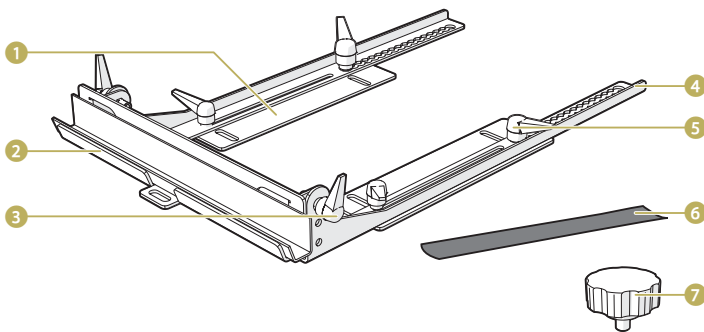


1. Lay out the cables of the pedal set and wheelbase.
 - a. Feed the pedal set cable through the adapter box towards the wheelbase.
 - b. Feed the USB cable from the wheelbase through the adapter box to the cable output.
If the pedal cable is not long enough, feed it underneath the adapter box.

- c. Feed the power cable from the wheelbase to the adapter in the adapter box.
- d. Feed the power cable from the adapter to the cable output.
2. Feed the cables from the wheel down behind the bridge. If your wheel is fitted with bottom connectors, the cables feed from the bottom of the bridge already.
3. Make sure the adjustment on the wheelbase and pedals are set in the furthest position.
 - a. Make sure the bridge is set in the highest position.
 - b. Make sure the pedal plate is set fully to the front.
 - c. Make sure the wheelbase plate is set fully to the back (towards the driver).
4. Secure the cables to the hooks under the bridge with the cable ties.
5. Feed the power cable and USB cable through the cable output towards the power outlet and your gaming device.

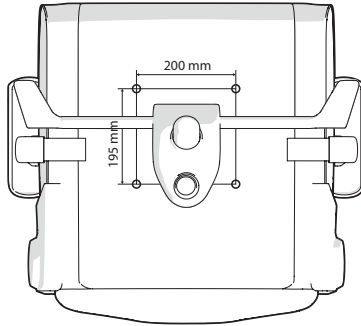
4.2.10 Installing the desk chair mount (optional)

This requires the optional desk chair mount.

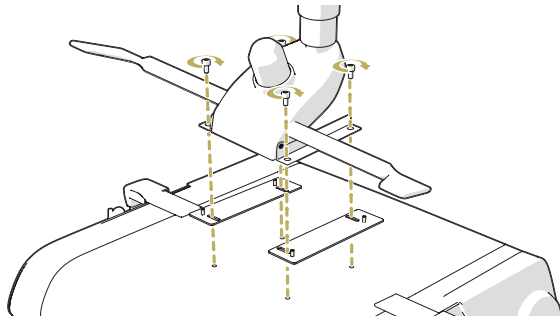


- 1 Mounting plates
- 2 Grabbing bracket
- 3 Male quick release handle
- 4 Arms
- 5 Female quick release handle
- 6 Felt strip
- 7 Thumbscrew

Make sure your desk chair has a flat bottom and the following hole pattern:

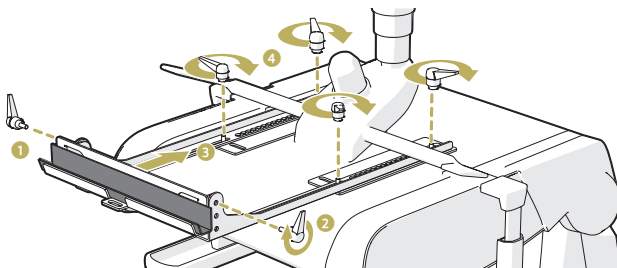


First, secure the mounting plates to the underside of your desk chair.



1. Remove the screws from the underside of your chair.
2. Place the mounting plates between the seat of your chair and the chassis.
3. Reattach the screws through the desk chair mount. Do not fully tighten yet.

Then prepare the arms and grabbing bracket and secure them to the mounting plates.



1. Stick the felt strip inside the grabbing bracket. Cut off any excess material.
2. Secure the arms to the grabbing bracket with the male quick release handles.
3. Slide the arms with the grabbing bracket onto the mounting plates on the underside of the chair.
4. Secure the arms to the mounting plates with the four female quick release handles.
5. Ensure the arms are completely parallel by moving the mounting plate into the right position.
6. Tighten the screws you attached in step 3.

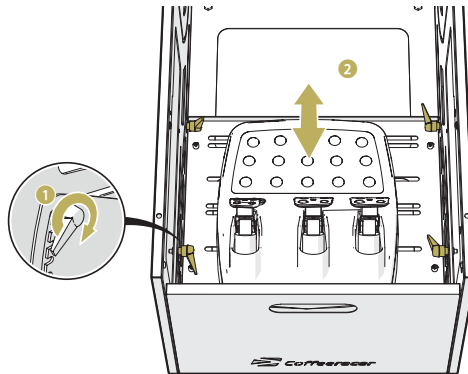
4.2.11 Finalising the installation

Check if the CoffeeRacer is rigid by wiggling the frame. Adjust the fasteners if there is play in the CoffeeRacer.

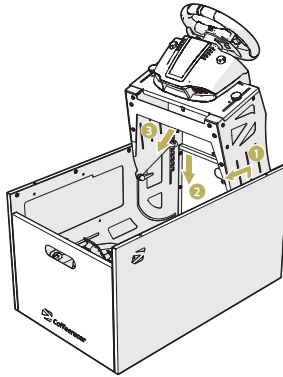
CAUTION

Risk of injury. Watch your fingers when adjusting the position of the pedals or folding down the bridge.

Slide the pedals to the folded position. The position depends on your type of racing wheel (see Appendix II).



1. Release the four quick releases on the pedal plate.
2. Slide the pedals forwards to the folded position.
- i** Some pedal sets require moving rearwards to the folded position. See Appendix II for a list of tested wheels.



1. Release the four quick releases on the bridge.
 - i** You may need to adjust the wheelbase plate to fit inside the CoffeeRacer. Adjust the plate by unscrewing the four knobs, sliding the plate, and tightening the knobs again.
2. Pull up the bridge and push it towards the front of the CoffeeRacer.
3. Lower the bridge.
4. Tilt the bridge downwards and lower it until it cannot go further.
5. Fasten the four quick releases on the bridge.

Finally, place the lid on top to close the CoffeeRacer.

- i** You may need to remove the steering wheel from the wheelbase to fit inside the CoffeeRacer.
- i** The lid might need some persuasion if the CoffeeRacer is not standing on a flat surface. This is to avoid any large panel gaps.

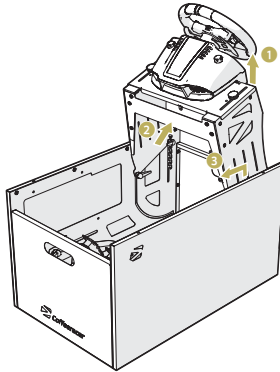
5 Use

5.1 BEFORE USE

Remove the lid from the CoffeeRacer.

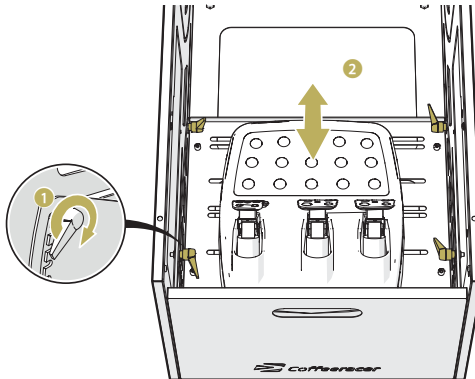
5.1.1 Folding up the bridge

1. Release the four quick releases on the bridge.



2. Pull up the bridge until it cannot go any further.
3. Tilt the bridge upright.
4. Pull up the bridge completely and hook the bridge in boarding mode by tilting it forward.

5.1.2 Setting the pedals



1. Release the four quick releases on the pedal plate.
2. Slide the pedals to the desired position.
- i** You could mark your desired position with a piece of tape or a sticker.
3. Change the angle of the pedal plate to the desired position.
4. Fasten the four quick releases on the pedal plate.

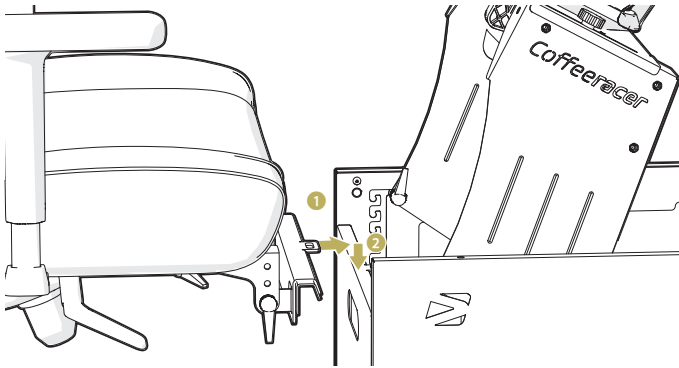
5.1.3 Hook on the desk chair mount (optional)

This requires the optional desk chair mount.

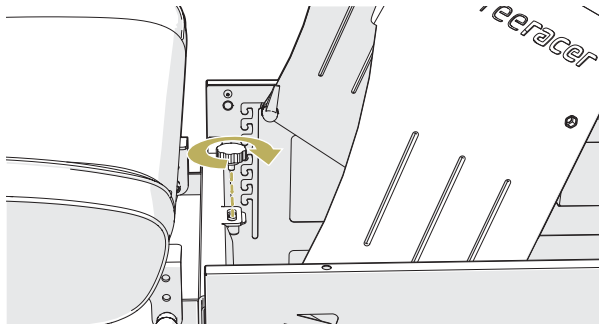
CAUTION

Risky of injury. Watch your fingers when hooking on the desk chair mount.

1. Release the four quick releases on the underside of the desk chair mount.
2. Slide out the desk chair mount from under the chair.
3. Tighten the four quick releases on the underside of the desk chair mount.



4. Set the tilt of the desk chair to the desired position.
5. Make sure the height of the desk chair is set so the desk chair mount is above the edge of the CoffeeRacer.
6. Ride the desk chair until the front of the desk chair mount is above the edge of the CoffeeRacer and the back of the grabbing bracket sits against the CoffeeRacer.
7. Lower the desk chair until the desk chair mount is hooked on the edge of the CoffeeRacer.



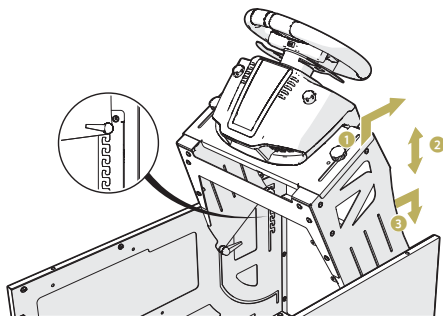
8. Secure the chair mount to the CoffeeRacer by tightening the thumbscrew.

CAUTION

Risk of damaging the CoffeeRacer. The CoffeeRacer 'Go' can not take the full weight of a chair and person on the edge. Make sure the desk chair mount is hooked, but all the weight is not resting on the edge of the CoffeeRacer 'Go'.

5.2 USING THE COFFEERACER

To set the bridge from boarding mode to racing mode:



1. Whilst seated, pull the bridge with the wheel towards your shoulders to release it from the boarding mode.
2. Lower the bridge to the desired position. Support the bridge to prevent it from falling.
3. Pull the bridge towards you and lower it at the desired height to hook it in racing mode.
4. Fasten the four quick releases on the bridge.

Then adjust the wheelbase plate to the desired position.

1. Unscrew the four knobs on the wheelbase plate.
2. Slide the plate to the desired position.
3. Tighten the four knobs again.

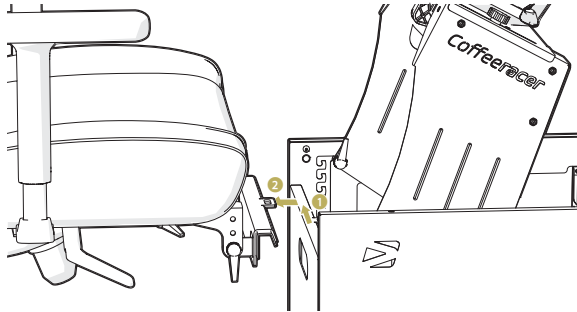
5.3 AFTER USE

CAUTION

Risk of injury. Watch your fingers when adjusting the position of the pedals or folding down the bridge.

5.3.1 Unhook the chair mount (optional)

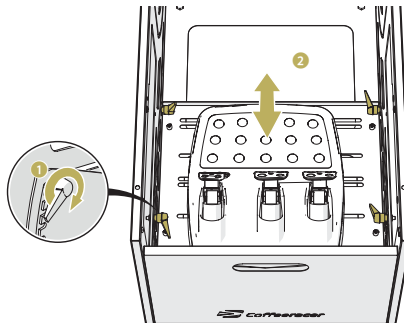
1. Release the four quick releases on the bridge.
2. Move the CoffeeRacer to the boarding mode.
3. Release the thumbscrew on the chair mount.



4. Unlock the tilt function of your desk chair.
5. Move your weight from the chair by pulling yourself towards the CoffeeRacer.
6. Tilt the chair backwards until you hear a click so the mount unhooks from the CoffeeRacer.
7. Ride the chair backwards to exit the CoffeeRacer.

5.3.2 Storing the pedals

Slide the pedals to the folded position. The position depends on your type of racing wheel (see Appendix II).

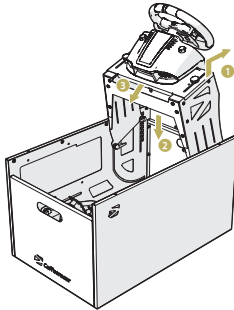


1. Release the four quick releases on the pedal plate.
 2. Slide the pedals forwards to the folded position.
- i** Some pedal sets require moving rearwards to the folded position. See Appendix II for a list of tested wheels.

5.3.3 Folding down the bridge

NOTICE

Avoid damage to your racing wheel. Make sure the pedals and the wheelbase do not collide. Be extra careful with rear cables.



1. Release the four quick releases on the bridge.
 - i** You may need to adjust the wheelbase plate to fit inside the CoffeeRacer and prevent stress on the cables.
2. Pull up the bridge and push it towards the front of the CoffeeRacer.
3. Lower the bridge.
4. Tilt the bridge downwards and lower it until it cannot go further.
5. Fasten two quick releases on the bridge.

5.3.4 Putting away the CoffeeRacer

Put the lid on the CoffeeRacer and store it in the desired location.

- i** You may need to remove the steering wheel from the wheelbase to fit inside the CoffeeRacer.
- i** The lid might need some persuasion if the CoffeeRacer is not standing on a flat surface. This is to avoid any large panel gaps.

6 Troubleshooting

Problem	Possible cause	Possible solution
My wheel does not fit on the plates.	There are no pre-drilled holes in the plates for your specific wheel.	Check the compatibility of your wheel with the CoffeeRacer.
		Use the clamp of your wheel to clamp it to the wheelbase plate.
		Drill additional holes in the plate to fit your wheel.
The CoffeeRacer does not close properly.	The pedals are not in the right position.	Adjust the position of your pedals either fully to the front of the CoffeeRacer or to the rear (see Appendix II).
	The steering wheel is blocking the lid.	Remove the steering wheel from the wheelbase and store it separately in the CoffeeRacer.
	The cables are stuck when closing the CoffeeRacer.	Check the position of the cables. Check whether the cables are long enough for the adjustments.

7 Disposal



Separate and dispose the components of the CoffeeRacer into the applicable waste streams based on their materials, in accordance with local regulations.

8 Appendix I – Warranty

Thank you for your interest in the products and services of CoffeeRacer. This Limited Warranty applies to physical goods, and only for physical goods, purchased from CoffeeRacer B.V. (the “Physical Goods”). Did you buy the product from one of our resellers, warranty is handled through their respective channels

What does this limited warranty cover?

This Limited Warranty covers any defects in material or workmanship under normal use during the Warranty Period. During the Warranty Period, CoffeeRacer will repair or replace, at no charge, products or parts of a product that proves defective because of improper material or workmanship, under normal use and maintenance. What will we do to correct problems? CoffeeRacer will either replace or repair the Product at no charge.

How long does the coverage last?

The Warranty Period for Physical Goods purchased from CoffeeRacer is 1 year from the date of purchase. A replacement Physical Good or part assumes the remaining warranty of the original Physical Good or 1 year from the date of replacement or repair, whichever is longer.

What does this limited warranty not cover?

This Limited Warranty does not cover any problem that is caused by: • conditions, malfunctions or damage not resulting from defects in material or workmanship

What do you have to do?

To obtain warranty service, you must first contact us at info@CoffeeRacer.com to determine the problem and the most appropriate solution for you.

9 Appendix II – Compatibility

The steering wheels and pedal sets listed below have been tested to work with the CoffeeRacer. A full list can be found on our website.

Put the pedal plate in the rear position (towards the driver) to accommodate folding the wheel:

- Fanatec CSL DD
- Thrustmaster T300
- Thrustmaster T150
- Cammus C5

Put the wheel in the front position (away from the driver) to accommodate folding the wheel:

- Logitech G932
- Logitech G25
- Logitech G27
- Logitech G29
- Logitech G320
- Thrustmaster T248



CoffeeRacer B.V.

Zuideinde 509 | 1035 PJ Amsterdam | The Netherlands

info@CoffeeRacer.com | www.CoffeeRacer.com