

***e* ⚡ BEACH WAGON**
SIMPLIFY YOUR BEACH TREK

Owner's Manual

TABLE OF CONTENTS

A. Welcome to e-Beach Wagon	3	H. Maintenance	14
B. Warnings	4	I. General Disclaimer	15
C. Specifications	5	J. Limited Warranty	16
D. Component Diagrams	6 - 7	K. Return Policy.....	17
E. Assembly	8 - 9	L. Frequently Asked Questions	18 - 21
F. Operation	10 - 11	M. Videos	22
G. Batteries and Charging	12 - 13	N. Contact Us	22
		O. Affiliate Program & Reviews	22

e BEACH WAGON

A. WELCOME TO E-BEACH WAGON

Thank you for purchasing an e-Beach Wagon! We hope it simplifies your beach trek for years to come. If you love your e-Beach Wagon and want to share the love with your friends and family, ask us about our affiliate program.

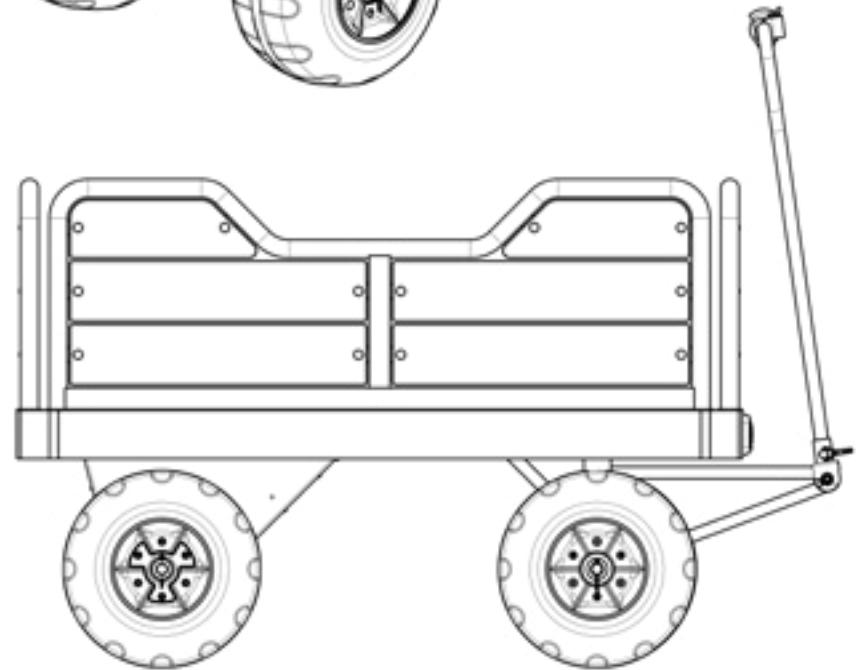
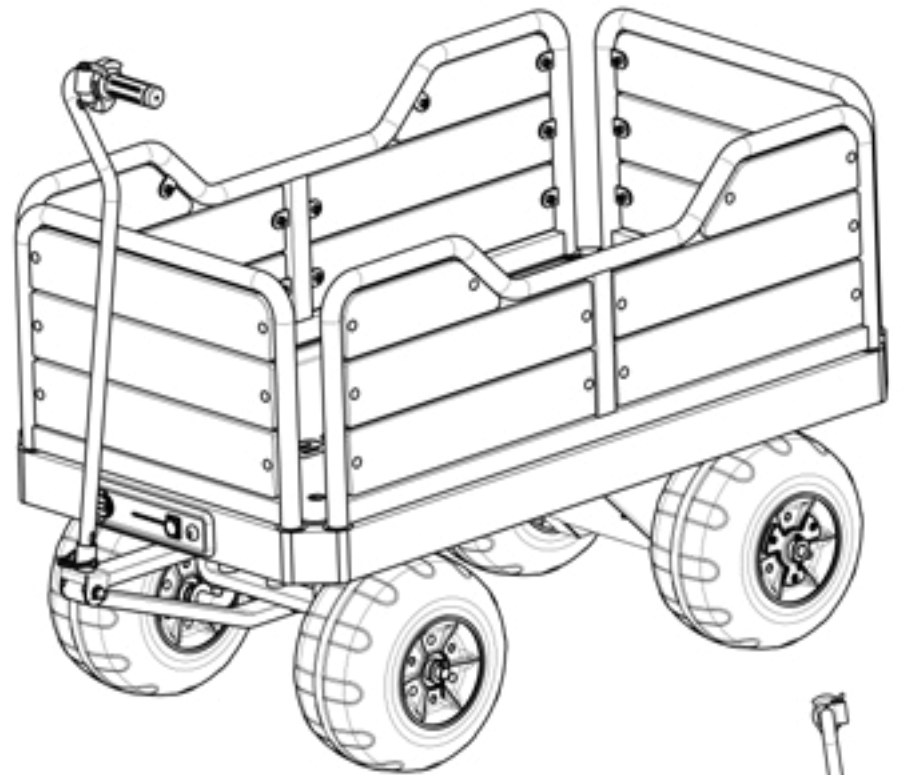
Contact Us:

Phone: (855) E-WAGONS | (855) 392-4667
Email: CustomerService@e-BeachWagon.com
Website: eBeachWagon.com
Facebook: Facebook.com/eBeachWagon
YouTube: YouTube.com/c/eBeachWagon
Instagram: Instagram.com/eBeachWagon
LinkedIn: LinkedIn.com/company/eBeachWagon
TikTok: TikTok.com/@eBeachWagon
Google: g.page/r/CbiXyf6cw0L6EBM
Linktree: Linktr.ee/ebeachwagon

This Owner's Manual Contains Important Safety & Performance Information

Please read the entire manual thoroughly before operating your new e-Beach Wagon and keep it nearby for reference.

Visit eBeachWagon.com/pages/owners-manual for updates and the latest copy of this manual.



The triangular **CAUTION** symbol accompanies notices that require special attention. Users should also pay special attention to information in bold or beginning with **NOTICE**.

B. WARNINGS



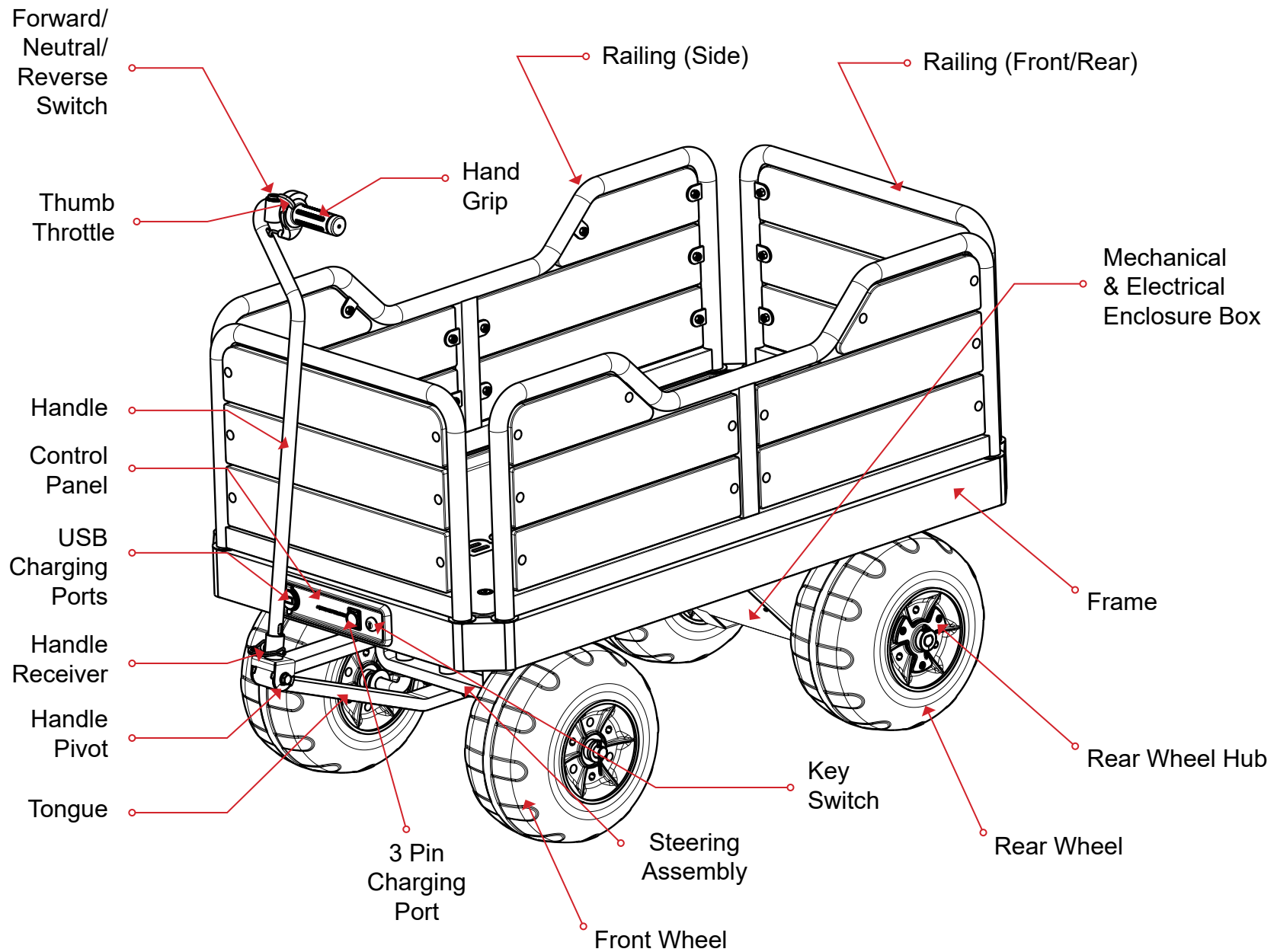
TO AVOID SERIOUS INJURY & DEATH

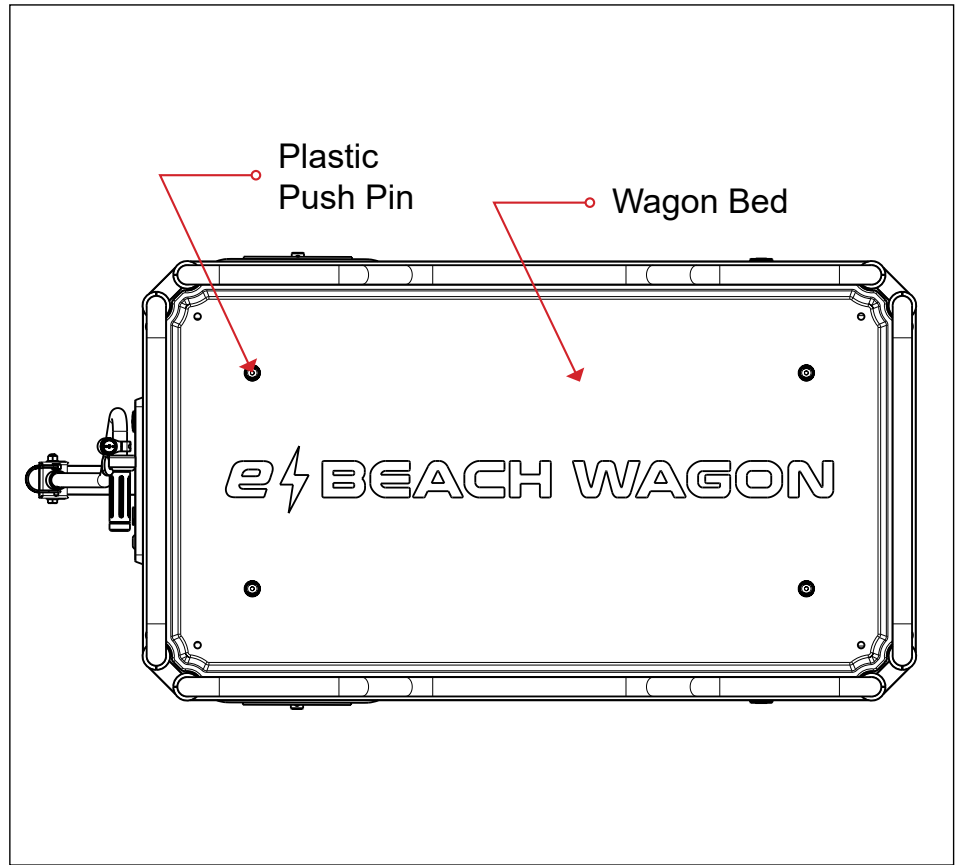
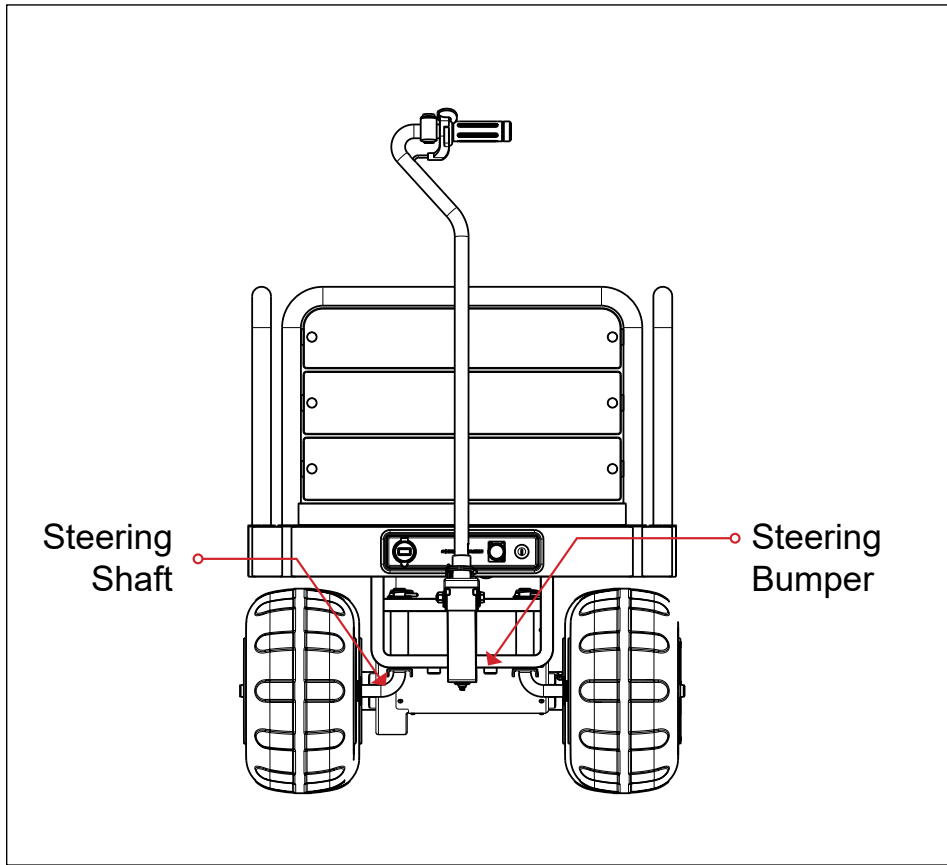
1. **CHOKING HAZARD:** This product contains small parts that may choke children under the age of five. Make sure young children are always supervised around the wagon.
2. **KEEP OUT OF REACH OF CHILDREN:** This product and its accessories are not toys. Do not let children operate or play with the wagon or accessories. To ensure everyone's safety, remove the key when not operating the wagon.
3. **ADULTS ONLY:** Never let anyone under the age of 18 operate the wagon. Anyone who operates the wagon shall read the owner's manual.
4. **NO PASSENGERS:** Passengers riding in the wagon may suffer from serious injury or death. This can be avoided by restricting passengers from riding in the wagon. If you are willing to accept this risk, passengers should always be seated, remain still, and hold onto the side railings for support.
5. **NO DRIVING:** Do not operate the wagon while sitting in it. It is not designed to be driven. The weight of a driver will restrict the steering ability. Additionally, local laws may prohibit the operator from driving the wagon.
6. **AVOID WATER:** Do not walk through standing water. The wagon is weather-resistant, not waterproof. Avoid spraying water directly at the electronic controls.
7. **DO NOT OVER-INFLATE TIRES:** The maximum tire pressure is 3 psi. Use a low-pressure tire gauge to measure the tire pressure and do not exceed 3 psi.
8. **AVOID DANGEROUS AREAS:** Never use the wagon near motor vehicles, steps, swimming pools, or steep grades ($> 15^\circ$). Do not operate at night in unlit areas. Always use sidewalks, pedestrian paths, and crosswalks, and obey pedestrian crossing rules when crossing the street.
9. **DISTRIBUTE WEIGHT EVENLY:** When loading the wagon, do not place all the weight in the back or you may have trouble steering. Place heavier items up front to distribute the weight.
10. **AVOID SMOOTH STEEP SURFACES:** Balloon tires have little to no traction on smooth surfaces. Exercise caution when walking down a ramp made from a smooth material like wood or steel. If the throttle is released on a decline, the wheels may lock up and the wagon can slide out of control. If you encounter a smooth ramp, back the wagon down the ramp rather than walk in front of it so you can manually prevent the wagon from slipping by holding the handle.
11. **TRAVERSING HILLS:** When traversing hills, go straight up or down the hill. Never traverse a hill sideways potentially causing the wagon to roll over.
12. **AVOID UNEVEN TERRAIN:** Avoid terrain that will cause one side of the wagon to be higher than the other side. Like traversing a hill sideways, riding on uneven terrain could cause the wagon to tip over.
13. **NO TOWING:** Do not tow the wagon behind a bike, golf cart, or other mode of transportation other than a walking human being. Towing the wagon at higher speeds will rotate the motor causing current that will damage the controller and motor.
14. **PRACTICE MAKES PERFECT:** Practice operating the wagon in an open area prior to using it in tight spaces or out in public. Do not operate the wagon in tight spaces or out in public until you are confident using all the controls.
15. **AVOID ELECTROMAGNETIC INTERFERENCE:** Electromagnetic interference (EMI), or radio frequency interference can cause electronics to operate poorly, malfunction, or stop working completely. EMI can be caused by natural sources like lightning strikes, or from man-made sources like high voltage electric lines. There is some level of immunity on the wagon since the electrical components are housed in a metal enclosure; however, the immunity level has not been tested. It's best to avoid EMI generators like radio antennas, portable wireless transmitters, high voltage lines, motors, and generators.

C. SPECIFICATIONS

MOTOR	Type	Brushless
	Voltage	24 volt DC
	Rated Speed	450r/min
	Torque	10N.m - 20N.m
	Rated Current	20A
	Sprocket	#420 Chain 9 Tooth
	Output	500W
	Case Diameter	134mm
CONTROLLER	Type	KY2450012G-SL
	Voltage	24V
	Wattage	500W
	Protection Voltage	19V
	Current Limit	28A
BRAKE	Voltage	24V
	Static Torque	6N.m
BATTERIES	Type	Sealed Lead Acid (SLA)
	Voltage	12V 22Ah
	Dimension	182*76*168mm
THROTTLE	Voltage	24V
	Dimension	70*26*68.5mm
	Working Voltage	5V
GEAR SWITCH	Voltage	24V
	Inner Mounting Hole	22mm
DUAL USB PORTS	Input	24V
	Output	5V
	Power	8W
	Current	3A
	Diameter	30mm
WAGON CHARGER	Input	100-120VAC 50-60Hz 1.9A
	Output	24VDC 4A

D. COMPONENT DIAGRAMS





E. ASSEMBLY

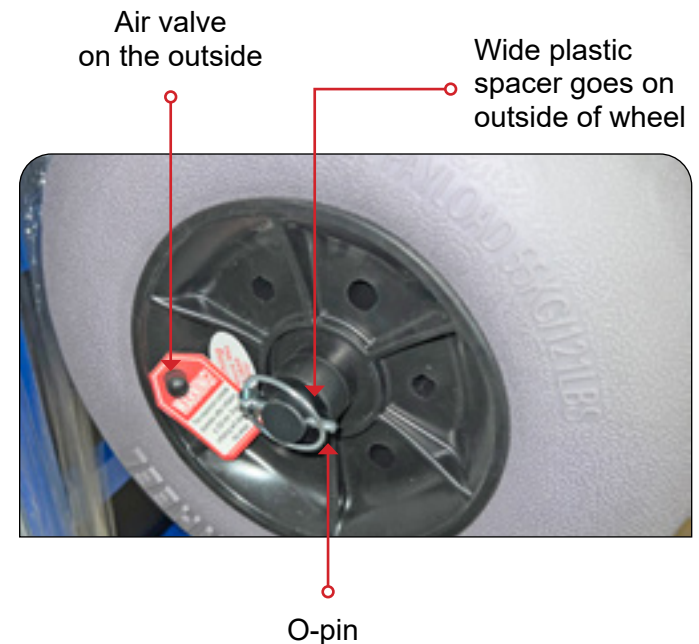
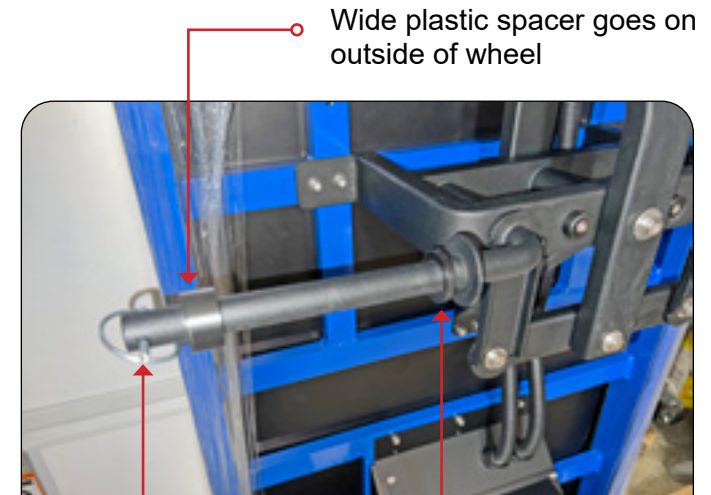
Assembly can be done with one person, but two are recommended for safety. No tools are required to complete the assembly. Watch our unboxing video to see the one person assembly method:

<https://youtu.be/6qjEbCDA68>

1. Pay attention to the “This Side Up” labels on the outside of the box. The wagon could be damaged if placed down on the wrong side. With the box laying down on its bottom and the lid on top, cut the straps and remove the lid.
2. Remove the loose pieces from on top of the wagon. Use two people to remove the wagon from the box. The wagon is heavy, and you may injure yourself if you try to remove the wagon by yourself.
3. Place the cardboard lid on the ground behind the wagon. Stand the wagon up on the back of the frame by lifting the front of the wagon up. Be sure the back of the frame is on the cardboard lid to protect the coating from getting scratched. Have one person hold the wagon up from falling while the other person assembles the front wheels. Pressure from the wagon wanting to fall forward may be prevented by placing temporary spacers below the rear wheels; however, someone shall always be spotting the wagon when it is standing up.
4. To assemble the front wheels:
 - a. Remove one of the O-pins from the front axles.
 - b. Remove the wide plastic spacer.
 - c. Place the wheel on the axle with the air valve facing out.
 - d. Place the wide spacer back on the axle.
 - e. Replace the O-pin.
 - f. Repeat steps a-e for the second wheel.
 - g. Place the wagon down on four wheels.

Note: *The wagon is also designed to fit Wheeleez 30 cm wheels. If you wish to replace your wheels with Wheeleez wheels, the spacers are not needed on the front axles. You will need a custom rear wheel hub to attach the Wheeleez wheels to the drive shaft. Contact e-Beach Wagon to purchase the custom hubs.*

STEP 4 – ASSEMBLING THE FRONT WHEELS



5. Attach the handle:

- a. Remove the safety coupler pin.
- b. Place the bottom of the handle in the handle housing with the plug on the right side.
- c. Replace the safety coupler pin through the holes in the wagon handle and lock the pin.
- d. Plug in the handle cord underneath the wagon.

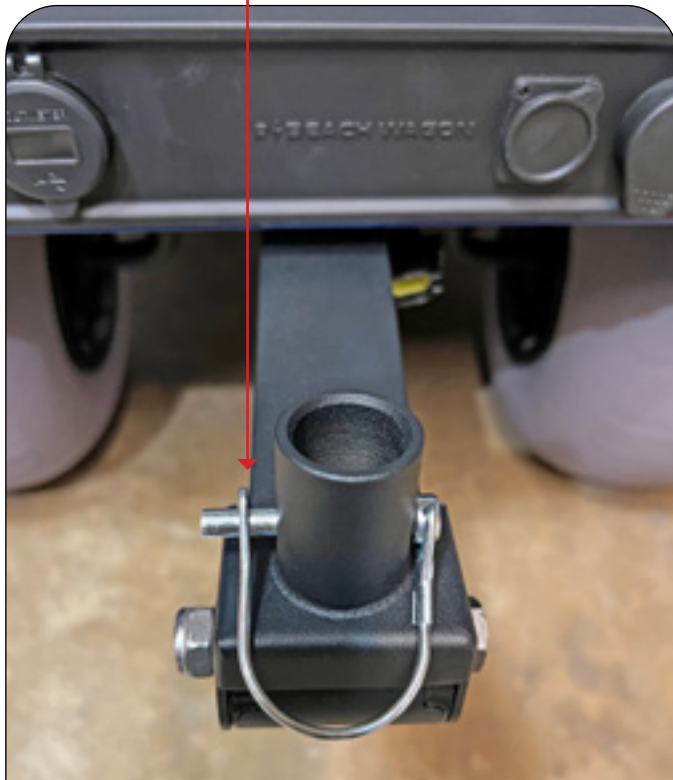
6. Insert the side railings:

- a. Using two hands to hold the top of railing on opposite ends, insert each railing into the tubes in the frame until the gasket hits the frame.
- b. You may need to jiggle the railing to fully insert it or remove it.
- c. Both side railings are interchangeable and the front and back railings are interchangeable.

STEP 5 – ATTACH THE HANDLE

Safety coupler pin

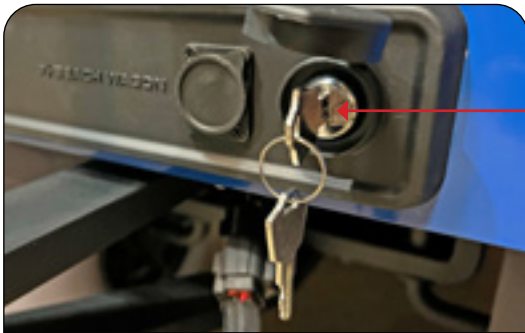
Arrow head should touch the silver hardware



F. OPERATION

1. The key ignition is located on the front control panel. Lift the cover up off the key ignition. Insert key and turn it clockwise to turn the wagon on.

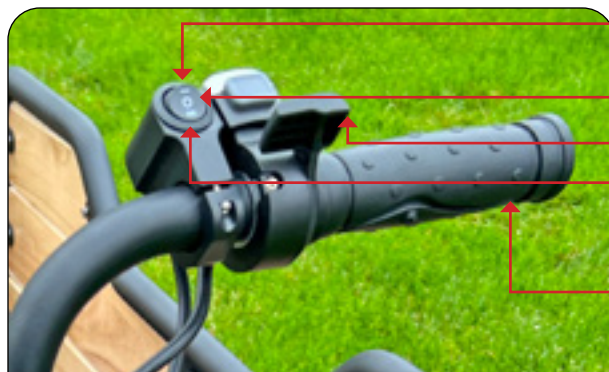
STEP 1 – INSERT KEY AND TURN ON



Insert key
and turn on

2. The gear switch is located on the handlebar to the left of the thumb throttle. Set the gear by pressing down on the switch. Down (two dashes) is forward; up (one dash) is reverse; and in the middle (o) is neutral.

STEP 2 – SELECT THE RIGHT GEAR



Reverse

Neutral

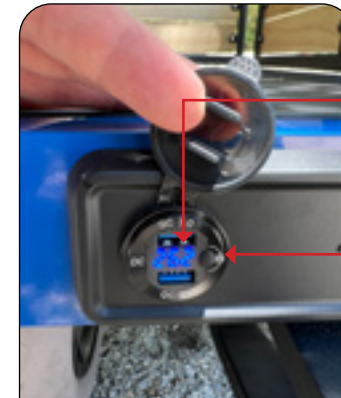
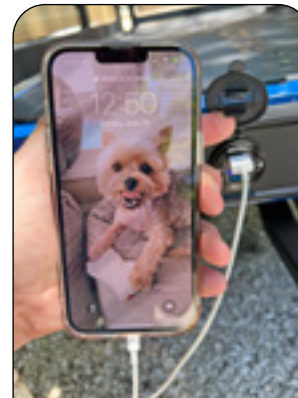
Thumb throttle

Forward

Hand grip

3. Hold onto the hand grip with your right hand and place your right thumb over the thumb throttle. Slowly press down on the thumb throttle to apply power. When in forward gear, the wagon will start moving forward. Walk with the wagon as it starts to move. Move your hand from side to side to steer the wagon while it is in motion. Adjust to your desired speed by adjusting the throttle down to go faster or up to go slower.
4. When the gear is in neutral, you must press the throttle down to manually push or pull the wagon. When you release the throttle, the brakes on the rear wheels lock and the wagon will not move.
5. Turn the key off and remove the key when the wagon is not in use. The rear wheels are locked when the wagon is off, so it cannot be manually pulled away without the key.
6. To use the USB ports, lift the USB cover up. The key must be in the on position. Press the power button to turn the USB ports on. When turned on, you will notice the battery voltmeter numbers appear. Plug your device into the USB port via your USB charging cord.

STEP 6 – USING THE DUAL USB CHARGING PORTS



Voltmeter

Power button

7. Use the voltage meter like you would your car's gas gauge. When the batteries are fully charged, the voltmeter will read around 26.5 volts or more. The wagon motor will no longer work when the voltmeter gets below 23 volts. If you run out of power, try turning the wagon off and letting it sit for a minute. Turn it back on and you will get some more distance out of it before it stops working again. If you are too far to get to a power outlet by repeating that process, put the wagon in neutral gear, press the throttle and manually pull the wagon to its destination. The neutral gear will continue to work when there is not enough power to run the motor.

8. To set up your umbrella or flagpole, first remove one of the railings. Next, put your flagpole, or umbrella pole through the hole in the frame. Dig a small hole in the sand with your hand under the hole and place the end of the pole in the hole. Cover the bottom of the pole with sand and raise your flag or umbrella. You can set up multiple flags and umbrellas at the same time since the frame has 8 built-in pole holders. Do not attempt to move the wagon while there are poles through the frame.

STEP 8 – USING THE POLE HOLDERS



Dig a hole in the sand with your hand




Fill hole in with sand

G. BATTERIES AND CHARGING

Your wagon comes equipped with two sealed lead acid (SLA) batteries connected in series to produce 24 volts of power. They are rated at 22 amp-hours. SLA batteries are readily available off the shelf, so they are very easy to replace. Two 22 amp-hour SLA batteries can be purchased from Amazon for \$96 as of July 2022.

The overall life expectancy of your batteries depends on the frequency of usage, temperature, and discharge cycles. The number of discharge/charge cycles that a battery can reach depends on the depth of discharge and operating temperature. A lifetime of 500-1200 cycles is most common, which may translate to 3-5 years.



Mighty Max Battery 12V 22AH
Replaces Pride GoGo Elite
Traveler Plus MKB ES17 12-2
Pack Brand Product

Brand: Mighty Max Battery

\$95⁹⁹ (\$48.00 / Count)

Pay \$16.00/month for 6 months, interest-free upon approval for the Amazon Rewards Visa Card

Brand	Mighty Max Battery
Battery Cell Composition	Sealed Lead Acid
Unit Count	2.0 Count
Voltage	12 Volts
Reusability	Rechargeable

\$95⁹⁹ (\$48.00 / Count)

FREE delivery **July 28 - August 1**. Details

Or fastest delivery **Thursday, July 28**. Order within 16 hrs 22 mins. Details

Select delivery location

In Stock.

Qty: 1

Add to Cart

Buy Now

Secure transaction

Ships from **Mighty Max Battery**
Sold by **Mighty Max Battery**

Return policy: Eligible for Refund or Replacement

Add a Protection Plan:

CHARGING

To charge the batteries, make sure the wagon key is turned to the off position. Connect the power cord to the charging adapter and plug the power cord into an electrical outlet. Rotate the charging port cover up to expose the three-pin female receiver on the control panel and plug the three-pin male connector of the charging cord into the charging port. The power light on the charging adapter will light red indicating power is getting to the adapter. The charge light will light red when plugged into the charging port indicating the batteries are charging. When the charge light turns green, the batteries are fully charged, and you shall unplug the charger from the wagon. The charging time will range from 0-5 hours depending on the depth of discharge.

FOLLOW THESE TIPS TO GET THE MOST LIFE OUT OF YOUR BATTERIES:

- Recharge your batteries after each use.
- Always store your batteries fully charged.
- Disconnect the charger immediately after the batteries are fully charged.
- When storing your batteries, be sure to keep them in a cool, dry place.
- Do not store your batteries in a discharged state.
- When storing batteries, check their charge every couple of months.
- If the batteries are stored in an area with a temperature above 68 degrees F, they'll need to be charged more frequently.



2 pin connector

3 pin male connector



Rotate cover

3 pin female receiver



Charging light:
Red - Batteries are charging

Green - Batteries are fully charged

Power light will be red indicating power is getting to adapter

H. MAINTENANCE

1. **TIRE PRESSURE:** The tire pressure shall not exceed 3 PSI. Measure the tire pressure using a low-pressure tire gauge. They are readily available on Amazon by searching for a “low-pressure tire gauge”. The photo to the right is a low-pressure tire gauge by JACO.
2. **CLEANING:** The wagon is weather-resistant but not waterproof. It cannot be submerged in water and continue to work. It is weather-resistant, so it’s okay if you get caught out in the rain. The wagon can be hosed down to clean but avoid spraying water on the electronic controls. Additionally it can be wiped down with a damp cloth. The wagon bed can be removed by removing the four plastic push pins. The plastic push pins can be removed by pulling up on both sides with your fingernails or two flat head screw drivers. Extra plastic push pins are provided in case you break one. The wagon bed can be hosed off or brought to the sink for a heavy scrubbing once removed.
3. **CHECK BRAKING FUNCTION:** Prior to each use, check the braking function by pushing or pulling the wagon when the key is off. If the wheels do not move, the brakes are functioning properly. If the wheels move, the brakes are not functioning properly and discontinue using the wagon until it is repaired. Contact e-Beach Wagon if your brakes are not functioning properly.
4. **CHAIN:** Ensure the chain is properly lubricated with a high-grade chain lubricant. The frequency of lubrication will depend on the frequency of usage and the environmental conditions. To lubricate the chain, first remove the wagon bed (see cleaning instructions above). Then use a Phillips head screwdriver to remove the 16 screws from the mechanical and electrical enclosure box. Remove the lid to the mechanical and electrical enclosure box. Lubricate the chain in accordance with the chain lubricant instructions. Be sure to lubricate the entire chain by rotating it with the throttle. Replace the mechanical and electrical enclosure box lid and wagon bed when done.



5. **STORAGE:** Store the wagon in a cool, dry place with the batteries fully charged. If storing the wagon in a tight space, take caution maneuvering the wagon into place so that you do not bump anything while moving the wagon. You can damage the powder coating by running into hard objects. Consider putting the wagon in neutral to maneuver it into tight spaces. To save space, you can remove the railings and handle bar.

Do not stand the wagon upright as the wagon can easily be knocked over and cause serious injury or death if it falls on someone. We recommend wrapping the wagon with a protective cover (like a moving blanket) so you do not scratch the powder coat while in storage.

6. **PROTECT THE WAGON:** Never put heavy cargo with hard edges directly on the wagon bed or frame. Be sure to put a protective cover (like a moving blanket) over the frame and wagon bed for protection. Heavy cargo with hard edges can damage the powder coat or the plastic wagon bed. Check back on our website in the near future as we plan to sell a protective cover made to fit our wagon.

I. GENERAL DISCLAIMER



TO AVOID SERIOUS INJURY & DEATH

The use of E-Beach Wagon, LLC (hereinafter “E-BW”) products can be dangerous and may result in serious injury or death. Extreme care should be exercised when operating E-BW products and each E-BW product should only be used as set forth in the product manual except as expressly stated in an agreement between you and E-BW, products provided by E-BW are provided ‘as is’ without warranty of any kind, either express or implied. Your use of E-BW products shall be at your own sole discretion and risk. To the fullest extent permitted by law, E-BW disclaims all representations and warranties of any kind, whether, including, but not limited to, the implied warranties of quality, performance, merchantability, suitability, fitness for a particular purpose, accuracy and non-infringement related to or arising out of use of E-BW products, as well as warranties implied from any alleged course of dealing or course of performance. E-BW assumes no liability for any errors or omissions or for any damages or losses that you or any third-party may incur as a result of the use of E-BW products. E-BW does not warrant that the products it offers meet your requirements.

Notwithstanding anything to the contrary and to the fullest extent permitted by applicable law, E-BW’s maximum aggregate liability relating to its products (whether in contract, tort (including negligence), strict liability or otherwise) shall in no event exceed the amount paid for the product directly related to the matter or matters which have given rise to liability and under no circumstances will E-BW be liable for any direct, indirect, special, consequential, incidental, or punitive damages, of any kind arising in connection with the use, or the inability to use, E-BW products, even if E-BW has been advised of the possibility of such damages. Certain state laws do not allow limitations on implied warranties or the exclusion or limitation of certain damages. If these laws apply to you, some or all of the above disclaimers, exclusions, or limitations may not apply to you, and you might have additional rights.

J. LIMITED WARRANTY

E-BEACH WAGON, LLC (hereinafter "E-BW") limited warranty products are warranted to the original retail purchaser, when purchased directly from E-BW or an E-BW authorized reseller, to be complete and free from defects in materials and workmanship in the frame and components, except for tires and batteries, for a period of one (1) year from the date customer receives the product.

Batteries are warranted to the original purchaser to be free from defects in materials and workmanship for a period of (30) days from the date of receipt. The battery warranty does not include damage from power surges, use of improper charger, improper maintenance or other such misuse, or normal wear.

Warranties are limited to replacement of parts and/or products determined by E-BW, at its sole discretion, to be defective. The limited warranty does not cover or apply to the following: Normal wear and tear; any damage, failure and/or loss caused by accident, misuse, neglect, abuse and/or failure to follow instructions or warnings as stated on the product or in the applicable owner's manual or other printed materials provided with the product; damage, failure and/or loss caused by water or use in any manner for which such products were not specifically designed. This warranty does not apply to any products or components, mechanical and/or electrical, which have in any way been altered from their original configuration by any person. E-BW will not be liable and/or responsible for any damage, failure or loss caused by any unauthorized service or use of unauthorized parts. The E-BW limited warranty does not cover or apply to any E-BW product used for rental or commercial purposes unless the specific product is designated, labeled or marketed by E-BW as acceptable for rental or commercial use. The E-BW limited warranty does not cover or apply to any E-BW product sold by a non-authorized reseller or retailer. The E-BW limited warranty does not cover or apply to any replacement, maintenance or accessory parts not sold directly by E-BW, or an E-BW authorized reseller, to the original retail purchaser.

Those parts and/or products which are determined by E-BW to be defective and to qualify for warranty replacement will be provided at no charge, only after a valid warranty claim is processed by E-BW. Warranty claims must be made by the original purchaser within the warranty period. Shipping & handling fees will apply to all orders placed for warranty parts and/or products and will be charged to the customer/warranty claimant at the time said parts and/or products are shipped from E-BW. E-BW, at its sole discretion, has the option of replacing with a new part, or factory re-certified part. The limited warranty stated herein is in lieu of and expressly excludes all other warranties not expressly set forth herein, whether expressed or implied by law or otherwise, including, but not limited to, any warranties for merchantability and/or fitness for any particular purpose. E-BW shall in no event be liable or responsible for incidental or consequential losses, damages or expenses in connection with E-BW products. The liability of E-BW hereunder is expressly limited to the replacement of goods complying with this warranty or at the sole discretion of E-BW to the repayment of an amount equivalent to the purchase price of the product in question.

For warranty claims, E-BW may, at its sole discretion, require customer to deliver the product to E-BW or an E-BW authorized mechanic to perform the repair. Customer is responsible for all costs associated with the delivery of the product to E-BW or an E-BW authorized mechanic. E-BW's maximum liability for repair cost under the limited warranty is one hundred and 00/100 dollars (\$100.00).

K. RETURN POLICY

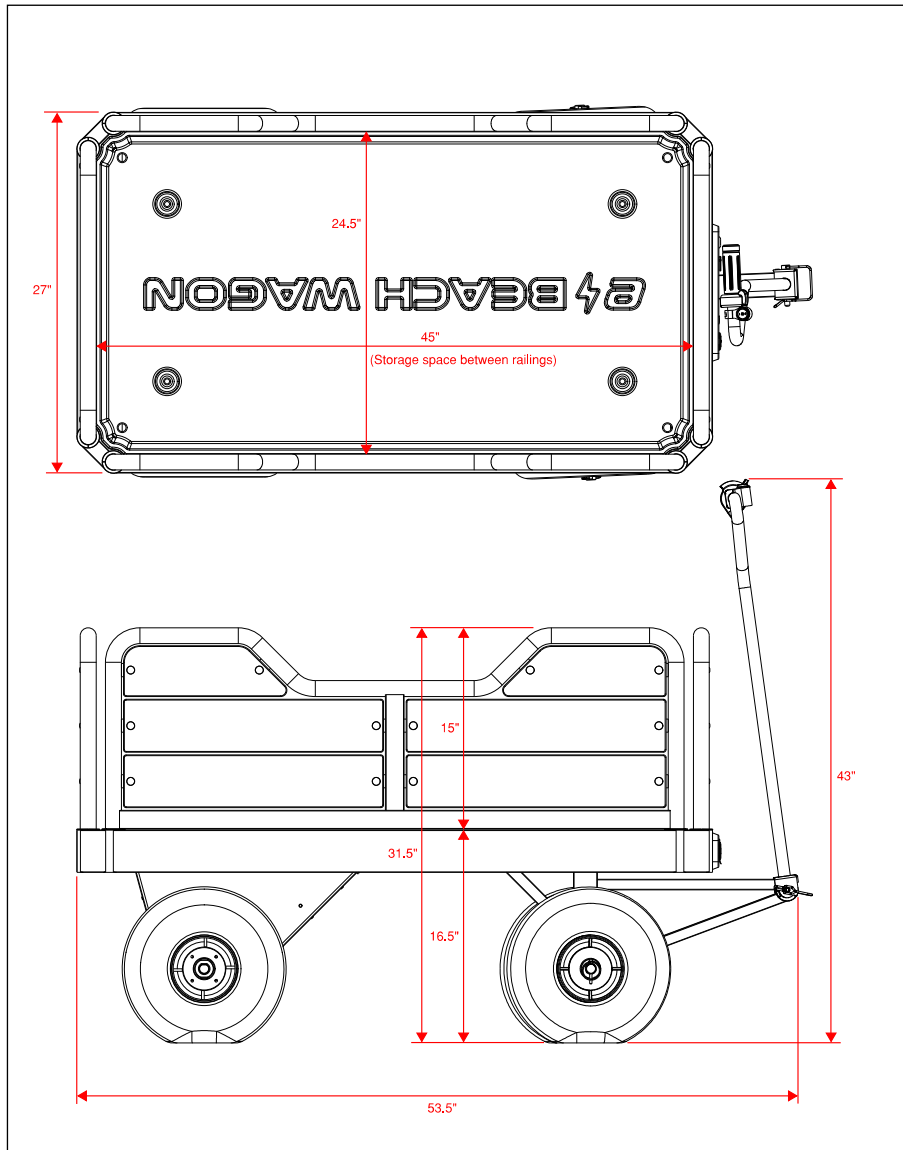
All sales are final. E-BW does not offer returns except in rare cases and at E-BW's sole discretion. In the event E-BW does authorize a return:

1. Before a return is sent, the customer must have written approval of said return from E-BW. If a customer sends a return without the written consent of E-BW, a refund will not be issued and the customer will have to pay for shipping to get the item returned.
2. If your approved return passes our inspection, you may receive store credit or a refund.
3. If your approved return fails our inspection, a refund will not be issued and the customer will have to pay for shipping to get the item returned.
4. Shipping charges and credit card fees included in the purchase price of products are non-refundable.
5. Customer is responsible for returning merchandise at their own expense.

L. FREQUENTLY ASKED QUESTIONS

SPECIFICATIONS:

1. Dimensions of the wagon?



2. Material of the wagon?

The frame and railings are aluminum. Other components are powder-coated steel. The wagon bed is plastic. The railing slats are clear coated paulownia wood.

3. How much does the wagon weigh?

Fully assembled, the wagon weighs 150 pounds. Without the railings, the weight drops to 130 pounds.

4. What type of wheels?

The wagon is outfitted with YONK 12" low-pressure polyurethane balloon tires. Wheeliez wheels were not available at the time of manufacturing. However, the wagon was designed to accept Wheeliez 30 cm (11.8") wheels with a custom hub for the rear wheels. Please contact us for a custom rim to fit the drive axel if interested.

5. What are the motor specs?

- **Type:** Brushless
- **Voltage:** 24 volts DC
- **Wattage:** 500 W
- **Torque:** 10-20 Nm

6. What are the controller specs?

24 volts, 500 W

7. What is the top speed?

3.5 miles per hour

TRANSPORTING:

1. Is the wagon easy to steer and operate?

The following controls make the wagon simple to operate:

- Key on/off switch
- Hand grip to hold with one hand and steer by shifting the handle from side to side
- Thumb throttle next to the hand grip to apply power for variable speed, up to 3.5 mph
- Forward/reverse/neutral switch next to the thumb throttle for easy access to change gears

2. How much weight can the wagon hold?

The wagon can hold up to 300 pounds

3. What can I put in the wagon?

You can put any beach gear or equipment in the wagon. Extra-long items can fit on top of the side railing depressions.

4. How do the umbrella / flagpole / fishing rod holders work?

Once the railings are removed, the tubes in the frame can be used to hold umbrellas, flagpoles, or fishing rods. Place your accessory through the tube in the frame. Umbrellas and flagpoles should go through the frame and be buried in the sand a few inches deep to prevent them from blowing over.

5. How do I remove the side rails?

Simply hold the top of the railing with two hands, one on each side, and lift up.

6. Where should I store the wagon?

The wagon is weather-resistant, but do not store it outside. It should be stored in a garage or shed close to a power source so it can be recharged after a long day at the beach.

7. How do I detach the handlebar?

To detach the handle bar, disconnect the electrical wire connectors, remove the cotter pin, and pull the handlebar off.

8. How do I transport the wagon in my vehicle?

You will need a pickup truck, SUV, or van to transport the wagon. There are ramps or hitch carriers that can be purchased to assist with transporting the wagon. Reference the video section on our website to learn more.

BATTERIES:

1. What kind of batteries are on the wagon?

The wagon has two 12-volt sealed lead acid (SLA) batteries connected in series to produce 24 volts of power. They are rated at 22 amp-hours.

2. What size are the batteries?

The batteries are 7.2" long x 3" wide x 6.6" tall.

3. How far can you go on one charge?

The distance you can go on one charge depends on how much weight you are carrying, how much elevation you traverse, and the type of surface you are traveling on. In one test carrying 200 pounds going around the block 12 times with an 18' elevation difference, the batteries lasted 4.5 miles. Watch the video "How Far Can An Electric Beach Cart Go?" on our YouTube page to learn more.

4. How do I charge?

Plug the charger that comes with your wagon into the wall and insert the other end into the three-prong charging port on the front control panel. The light on the plug will be red when charging and will change to green when the batteries are charged. Unplug the charger when the light turns green.

5. How can I tell how much power is left?

There is a voltmeter on the cover of the USB port. Fully charged batteries read around 27 volts. The wagon will no longer power itself when it gets below 23.0 volts.

6. Can the batteries be replaced?

Yes, the batteries are standard off-the-shelf sealed lead acid batteries that are readily available and easy to replace. Replacement batteries on Amazon go for \$96 for two in July 2022.

7. Can I pull the wagon if the batteries die?

Yes. The wagon has a neutral gear so the wagon can be placed in neutral if there is not enough juice left to power the motor. The keys have to be inserted though.

8. What is the life expectancy of the batteries?

The overall life expectancy depends on the frequency of usage, temperature, and discharge cycles. The number of discharge/charge cycles that a battery can reach depends on the depth of discharge and operating temperature. A lifetime of 500-1200 cycles is most common.

WORRY-FREE:

1. Do you offer a warranty?

Yes, a one-year warranty comes standard with every wagon. The warranty period begins on the delivery date.

2. Is there a manual?

Yes, a user's manual comes with every wagon.

3. Is the wagon safe?

Yes, the top speed of the wagon is 3.5 miles per hour, which is the average walking pace. The wagon starts off gradually when you hit the thumb throttle to get to your walking speed safely. When the thumb throttle is released, the wagon comes to a

stop. The wagon will travel at a constant speed down hills and will slow down when you adjust the throttle down. There are no exposed mechanical or electrical components, so there is no chance of being injured that way.

4. Is the wagon waterproof?

The wagon is weather-resistant but not waterproof. It cannot be submerged in water and continue to work. It is weather-resistant, so it's okay if you get caught out in the rain. The wagon can be hosed down to clean but avoid spraying water on the electronic controls.

5. Will the wagon hold up on the beach?

The wagon was built for the beach. The aluminum components do not rust, so if maintained properly it will last for generations to come.

6. Is it easy to assemble?

Yes. The wagon comes mostly assembled. The only assembly required is to attach the front wheels, attach the handle, and put the railings on.

7. Can it easily be stolen from the beach?

The motor is powered off and the brakes are locked without the key, so the rear wheels will not turn, making it very difficult to drag the wagon away. Two people could pick the wagon up and walk away with it, but that would be easily noticed.

8. What if I lose the keys?

Each wagon comes with two keys. Be sure to keep the spare in a safe place. If both keys are lost, contact us to purchase a replacement set.

9. Is it legal to use on the beach?

Yes. Most beaches prohibit motorized vehicles on the beach. e-Beach Wagon is not "driven" like vehicles, golf carts, mopeds, or e-Bikes. The user walks in front of the wagon vs. driving on it. Additionally, the wagon goes at walking speed, so there is no safety risk, which the typical code intends to prevent.

MAINTENANCE:

1. Does anything require lubrication?

Yes, the wagon is chain-driven so the chain will require lubrication. The frequency of usage will dictate how often the chain needs to be lubricated. In most cases, the chain will only need to be lubricated once a year at the beginning of the season. If the chain starts to make a noise, it is likely ready for another lube.

2. How do I clean the wagon?

The wagon can be wiped down with a wet cloth. The wagon bed can be removed and brought to the sink for a hard scrubbing. The wagon is weather-resistant but not waterproof. It cannot be submerged in water and continue to work. It is weather-resistant, so it's okay if you get caught out in the rain. The wagon can be hosed down to clean but avoid spraying water on the electronic controls.

3. How do I check the tire pressure?

A low-pressure air gauge is needed to check the tire pressure. The maximum tire pressure should be 3 psi. Low pressure air gauges can be purchased on Amazon.com.

4. How do I maintain the batteries?

- Recharge your batteries after each use.
- Always store your batteries full charged.
- Disconnect the charger immediately after the batteries are fully charged.
- When storing SLA batteries, be sure to keep in a cool, dry place.
- Do not store SLA batteries in a discharged state.
- When storing batteries, check their charge every couple of months.
- If the battery are stored in an area with a temperature above 68 degrees F, they'll need to be charged more frequently.

M. VIDEOS

VIDEOS



Visit the Videos section of e-Beach Wagon's website to view reference videos.

Scan the QR Code with your phone's camera or go to eBeachWagon.com/pages/video

N. CONTACT US

- Phone:** (855) E-WAGONS | (855) 392-4667
Email: CustomerService@e-BeachWagon.com
Website: eBeachWagon.com
Facebook: Facebook.com/eBeachWagon
YouTube: YouTube.com/c/eBeachWagon
Instagram: Instagram.com/eBeachWagon
LinkedIn: LinkedIn.com/company/eBeachWagon
TikTok: TikTok.com/@eBeachWagon
Google: g.page/r/CbiXyf6cw0L6EBM
Linktree: Linktr.ee/ebeachwagon

PROUD
MEMBER OF



PROUD
MEMBER OF



PROUD
SUPPORTER OF



O. AFFILIATE PROGRAM & REVIEWS

AFFILIATE PROGRAM

We love referrals! Become an e-Beach Wagon affiliate and earn a commission on every sale you refer. You will be set up with a unique link, QR code, and coupon code to track every sale back to you. The customer you refer will receive a discount using your coupon code, and you'll receive a commission. Commissions start at \$100 per wagon and increase to \$200 per wagon as your sales increase. We'll provide laminated postcards to attach to your wagon, so anyone who sees it can access your link. Take advantage of your walking billboard and start earning passive income.

Signing up is free and easy! For more information, visit: eBeachWagon.com/pages/affiliates

PHOTOS & VIDEOS

Email us at CustomerService@e-BeachWagon.com or tag us in a photo or video on social media and be eligible to receive cool EBW merchandise.

REVIEWS

Share an honest review of e-Beach Wagon on Google. Reviews help consumers make decisions, and they help our small business grow. Thank you for your support! Search for e-Beach Wagon on Google, or visit <https://g.page/r/CbiXyf6cw0L6EAg/review>

e ⚡ BEACH WAGON



e-Beach Wagon
3037 Bowlarama Drive
New Castle, DE 19720

(855) E-WAGONS | (855) 392-4667
CustomerService@e-BeachWagon.com
eBeachWagon.com