

SOPHIA MIRROR



SOPHIA MIRROR

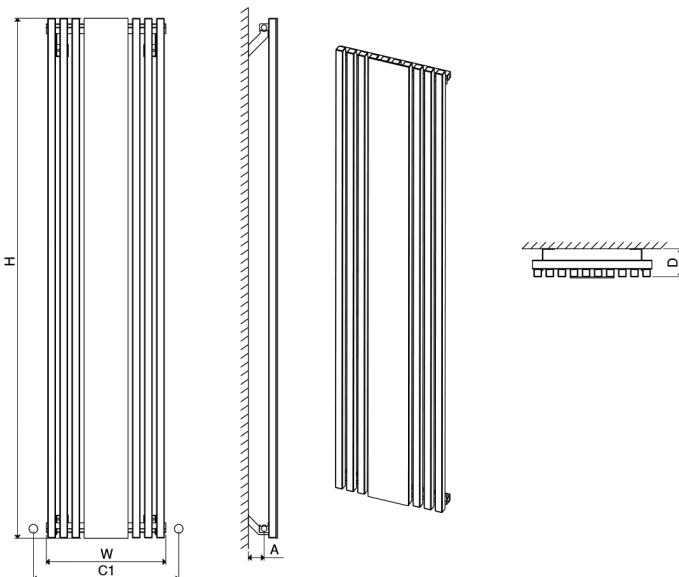
Material	Stock Finishes	Guarantee	Installation
Aluminium	PLS SEE COLOUR KEY CHART - Click for Link	5 Years	Vertical

PRODUCT CODE	Height (mm) H	Width (mm) W	Sections n	Pipe Centers (mm) C1	Wall to pipe Centers A (mm)	Wall Distance D (mm)	Nett Weight (kg)	Water Content (lt)	Fuel Type	Heat Outputs	
											Watts
SOM 0415180010	1800	415	10	505	55	102	15.3	2.7	C	2000	6824

Please add finishing code at the end of the product code

Code example : SOM 0415180010 TXW

Fuel type i.e
C: Central Heating
E: Electrical Heating
D: Dual Heating (C+E)



A full range of made to order sizes available.

Please ask for details.

Radiator width for made to order sizes $(n \times 42) - 5 \text{ mm}$

n = number of sections

Max. working pressure 10 bar

Max. working temperature 95 °C

Connections 1/2"

Section width 27 mm

Section depth 58 mm

Pipe center C1 W + 90 mm