

# SNOWFLAKE



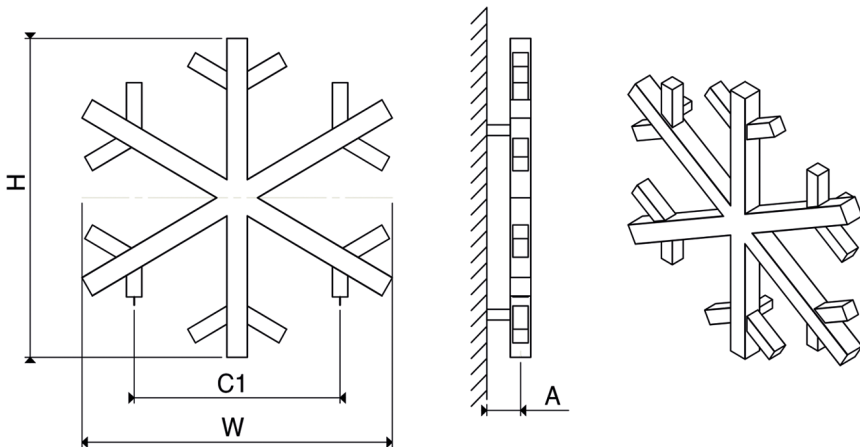
## SNOWFLAKE

<b>Material</b>	<b>Stock Finishes</b>	<b>Guarantee</b>	<b>Installation</b>
Stainless Steel	PLS SEE COLOUR KEY CHART - <a href="#">Click for Link</a>	20 Years	Horizontal

PRODUCT CODE	Height (mm) H	Width (mm) W	Sections n	Pipe Centers (mm) C1	Wall to pipe Centers A (mm)	Wall Distance D (mm)	Nett Weight (kg)	Water Content (lt)	Fuel Type	Heat Outputs	
											Watts
SNW 0600060006	600	600	6	360	65-80	85-100	5.5	3.6	C	333	1137

Please add finishing code at the end of the product code **Code example : SNW 0600060006 STP**

Fuel type i.e  
C: Central Heating  
E: Electrical Heating  
D: Dual Heating (C+E)



n = number of sections	
Max. working pressure	10 bar
Max. working temperature	95 °C
Connections	½"
Pipe centers	C1 360mm