

ROCHESTER



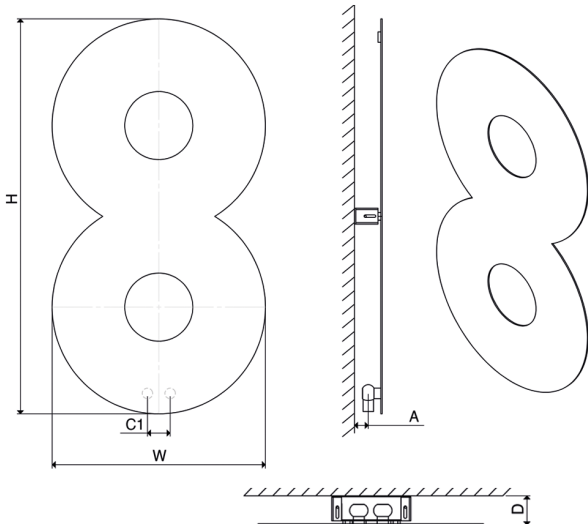
ROCHESTER

Material	Stock Finishes	Guarantee	Installation
Mild Steel	PLS SEE COLOUR KEY CHART - Click for Link	5 Years	Vertical

PRODUCT CODE	Height (mm) H	Width (mm) W	Sections n	Pipe Centers (mm) C1	Wall to pipe Centers A (mm)	Wall Distance D (mm)	Nett Weight (kg)	Water Content (lt)	Fuel Type	Heat Outputs	
										Watts	BTU
ROC 04700470	470	470	-	50	31-51	61-81	3.5	0.2	C/E	202	689
ROC 04700870	870	470	-	50	31-51	61-81	6.8	0.4	C/E	392	1337
ROC 04701270	1270	470	-	50	31-51	61-81	10.1	0.6	C/E	583	1988

Please add finishing code at the end of the product code **Code example : ROC 04700470 TXB**

Fuel type i.e.
C: Central Heating
E: Electrical Heating
D: Dual Heating (C+E)



Max. working pressure	5 bar
Max. working temperature	95 °C
Connections	½"
Pipe center	C1 50 mm

Please specify C or E with your order.
D is not available.