

REX



carisa
designer radiators

REX

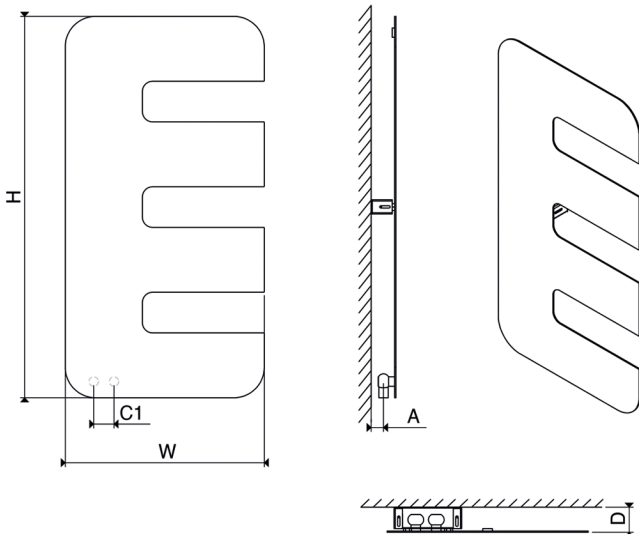
Material	Stock Finishes	Guarantee	Installation
Mild Steel	PLS SEE COLOUR KEY CHART - Click for Link	5 Years	Vertical

PRODUCT CODE	Height (mm)	Width (mm)	Sections	Pipe Centers (mm)	Wall to pipe Centers	Wall Distance	Nett Weight	Water Content	Fuel Type	Heat Outputs	
	H	W	n	C1	A (mm)	D (mm)	(kg)	(lt)		Watts	BTU
REX 04900940	940	490	-	50	31-51	61-81	11.0	0.6	C/E	635	2165
REX 04901200	1200	490	-	50	31-51	61-81	13.9	0.8	C/E	802	2735
REX 04901720	1720	490	-	50	31-51	61-81	19.6	1.1	C/E	1131	3857

Please add finishing code at the end of the product code **Code example : REX 04901720 TXB**

Fuel type i.e.

C: Central heating
E: Electrical heating
D: Dual heating (C+E)



Max. working pressure	5 bar
Max. working temperature	95 °C
Connections	½"
Pipe center	C1 50 mm

Please specify C or E with your order.
D is not available.