

PLYMOUTH



PLYMOUTH

Material	Stock Finishes	Guarantee	Installation
Mild Steel	PLS SEE COLOUR KEY CHART - Click for Link	5 Years	Vertical

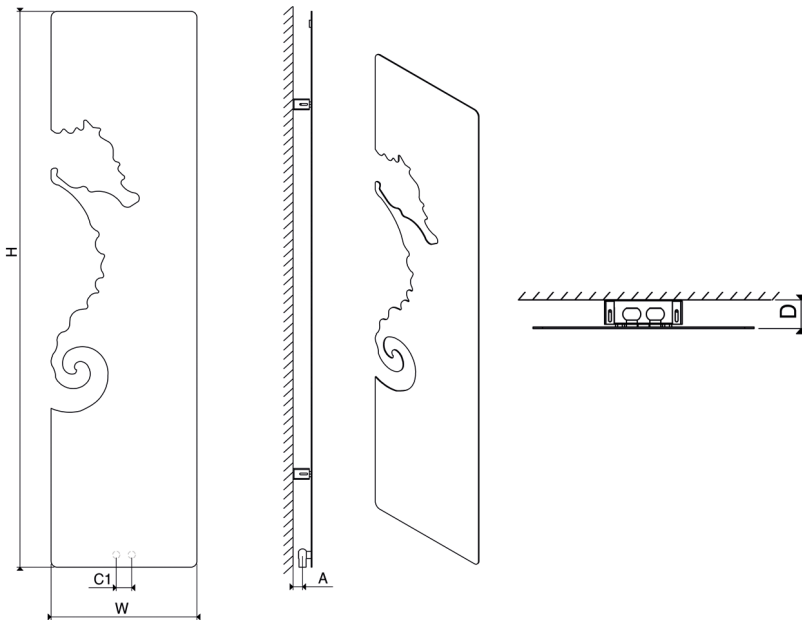
PRODUCT CODE	Height (mm)	Width (mm)	Sections	Pipe Centers (mm)	Wall to pipe Centers	Wall Distance	Nett Weight	Water Content	Fuel Type	Heat Outputs	
	H	W	n	C1	A (mm)	D (mm)	(kg)	(lt)		Watts	BTU
PLM 04701790	1790	470	-	50	31-51	61-81	23.8	1.4	C/E	1374	4685

Please add finishing code at the end of the product code

Code example : PLM 04701790 TXB

Fuel type i.e

C: Central Heating
E: Electrical Heating
D: Dual Heating (C+E)



Max. working pressure	5 bar
Max. working temperature	95 °C
Connections	1/2"
Pipe center	C1 50 mm

Please specify C or E with your order.
D is not available.