

PAN



PAN

Material	Stock Finishes	Guarantee	Installation
Stainless Steel	PLS SEE COLOUR KEY CHART - Click for Link	20 Years	Horizontal

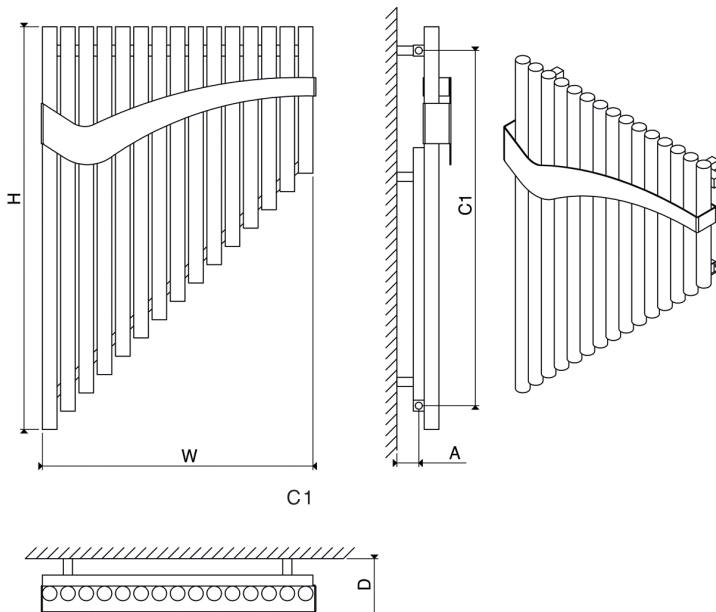
PRODUCT CODE	Height (mm)	Width (mm)	Sections n	Pipe Centers (mm) C1	Wall to pipe Centers	Wall Distance	Nett Weight (kg)	Water Content (lt)	Fuel Type	Heat Outputs	
	H	W			A (mm)	D (mm)				Watts	BTU
PAN 0740110015	1100	740	15	980	60-75	148-163	20.1	51.0	C	1468	5010

Please add finishing code at the end of the product code

Code example : PAN 0740110015 STP

Fuel type i.e

C: Central Heating
E: Electrical Heating
D: Dual Heating (C+E)



A full range of made to order sizes available.

Please ask for details.

n = number of sections

Max. working pressure

10 bar

Max. working temperature

95 °C

Connections

1/2"

Pipe centers

C1

980mm