

# NIXIE BATH



## NIXIE BATH

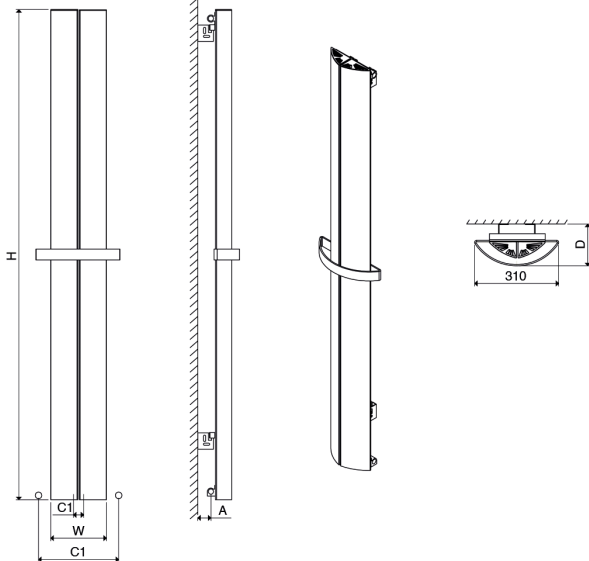
<b>Material</b>	<b>Stock Finishes</b>	<b>Guarantee</b>	<b>Installation</b>
Aluminium	<a href="#">PLS SEE COLOUR KEY CHART - Click for Link</a>	5 Years	Vertical

PRODUCT CODE	Height (mm) H	Width (mm) W	Sections n	Pipe Centers (mm) C1	Wall to pipe Centers		Nett Weight (kg)	Water Content (lt)	Fuel Type	Heat Outputs	
					A (mm)	D (mm)				Watts	BTU
NXB 0205120002	1200	205	2	50/295	30-50	135-155	6.5	0.9	D	603	2058
NXB 0205150002	1500	205	2	50/295	30-50	135-155	8.1	1.1	D	754	2573
NXB 0205180002	1800	205	2	50/295	30-50	135-155	9.7	1.3	D	905	3087

Please add finishing code at the end of the product code

Code example : NXB 0205150002 TXB

Fuel type i.e. C: Central Heating  
E: Electrical Heating  
D: Dual Heating (C+E)



Bespoke height is possible.

Please ask for details.

n = number of sections

Max. working pressure 10 bar

Max. working temperature 95 °C

Connections 1/2"

Section width 100 mm

Section depth 90 mm

Pipe center C1 50 mm

C1 W + 90 mm