

MAYRA



carisa
designer radiators

MAYRA

| | | | |
|-----------------|---|------------------|------------------------|
| Material | Stock Finishes | Guarantee | Installation |
| Mild Steel | PLS SEE COLOUR KEY CHART - Click for Link | 5 Years | Vertical Horizontal |

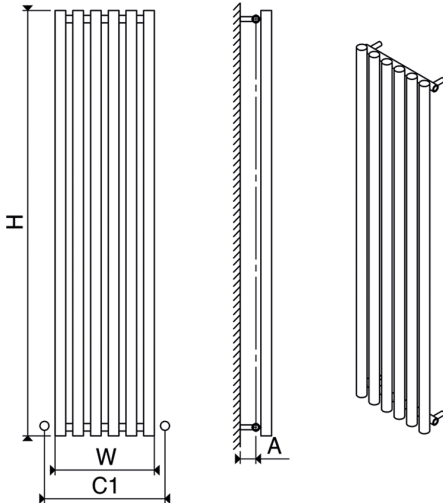
| PRODUCT CODE | Height (mm) | Width (mm) | Sections | Pipe Centers (mm) | Wall to pipe Centers | Wall Distance | Nett Weight | Water Content | Fuel Type | Heat Outputs | |
|----------------|-------------|------------|----------|-------------------|----------------------|---------------|-------------|---------------|-----------|--------------|------|
| | H | W | n | C1 | A (mm) | D (mm) | (kg) | (lt) | | Watts | BTU |
| MYR 0270180004 | 1800 | 270 | 4 | 360 | 66-86 | 132-152 | 12.2 | - | C | 1621 | 5530 |
| MYR 0420180006 | 1800 | 420 | 6 | 510 | 66-86 | 132-152 | 18.3 | - | C | 2317 | 7907 |
| MYR 0720055010 | 550 | 720 | 10 | 810 | 66-86 | 132-152 | 10.5 | - | C | 1281 | 4371 |
| MYR 1020055014 | 550 | 1020 | 14 | 1110 | 66-86 | 132-152 | 14.7 | - | C | 1797 | 6131 |

Please add finishing code at the end of the product code

Code example : MYR 1020055014 CHR

Fuel type i.e

C: Central Heating
E: Electrical Heating
D: Dual Heating (C+E)



Please ask for details.

n = number of sections

Max. working pressure

10 bar

Max. working temperature

95 °C

Connections

1/2"

Pipe centers

C1

W+90mm