

# KEOPS



## KEOPS

### Material

Stainless Steel

### Stock Finishes

PLS SEE COLOUR  
KEY CHART - [Click for Link](#)

### Guarantee

20 Years

### Installation

Horizontal

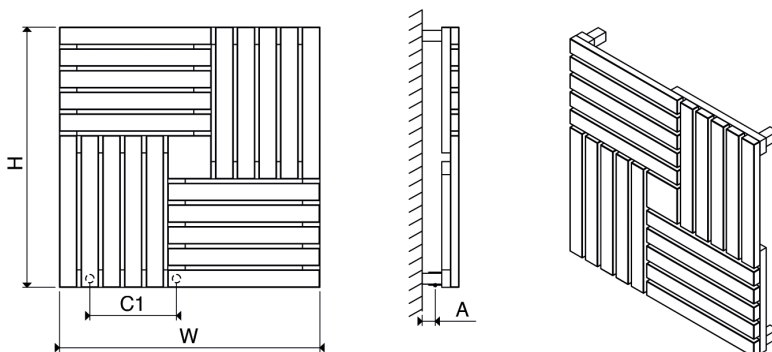
| PRODUCT CODE   | Height | Width | Sections<br>n | Pipe<br>Centers<br>(mm)<br>C1 | Wall to pipe | Wall     | Nett | Water | Fuel | Heat Outputs |         |
|----------------|--------|-------|---------------|-------------------------------|--------------|----------|------|-------|------|--------------|---------|
|                | H      | W     |               |                               | Centers      | Distance |      |       |      | Weight       | Content |
|                |        |       |               |                               | A (mm)       | D (mm)   | (kg) | (lt)  |      |              |         |
| KEO 0600060020 | 600    | 600   | 20            | 200                           | 30-45        | 85-100   | 8.5  | 4.2   | C    | 586          | 1999    |
| KEO 0700070024 | 700    | 700   | 24            | 250                           | 30-45        | 85-100   | 9.9  | 4.9   | C    | 683          | 2332    |
| KEO 0800080028 | 800    | 800   | 28            | 300                           | 30-45        | 85-100   | 11.3 | 5.6   | C    | 781          | 2665    |

Please add finishing code  
at the end of the product code

Code example : KEO 0800080028 STP

Fuel type i.e

C: Central Heating  
E: Electrical Heating  
D: Dual Heating (C+E)



A full range of made to order sizes available.

Please ask for details.

n = number of sections

Working pressure (max.)

Working temperature (max.)

Connections

10 bar

95 °C

½"

