



HURLINGHAM
The Bath Company

Brass Bulle Bath Specifications



Body: Brass

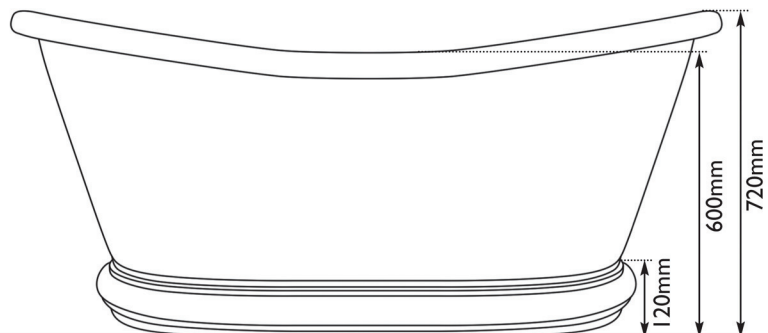
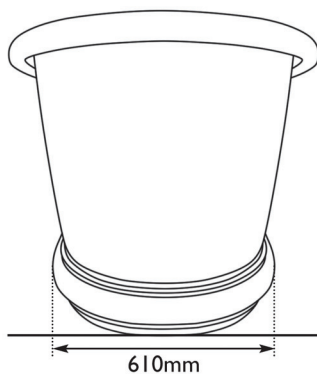
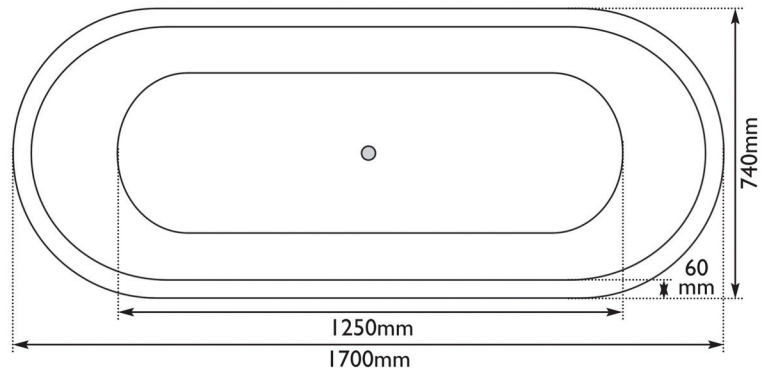
Brass Exterior & Nickel Interior: SS084

Weight: 50KG

Only Available Without Tap Holes

Customisation options:

- Leather
- Painted



Due to the handmade nature of our products/casting processes, sizing can vary by up to 3%.

First fix should not be undertaken until the product has arrived on site for physical measurements to be taken.



HURLINGHAM
The Bath Company

Brass Finish:

Every brass plated bath is made by skilled craftsmen from pure metal materials that are hand beaten into shape and then hand burnished. This results in a beautifully unique and bespoke product. Due to the hand crafted nature there may be varying degrees of the following characteristics inherent in the finished items;

- Soft undulations in the surface from being hand beaten in to shape.
- These metals are reactive in nature and the patina will naturally change with time and use. If you have selected a non-waxed option the patina may already be evident on delivery.
- Non-waxed items will darken in colour with exposure to the air and develop a patina.
- Waxed items will need to be maintained with a re-application of suitable wax, to prevent discolouration.
- Weld seams may be slightly visible on non-plated items. This is as a result of the handmade method of manufacture.
- All metal items are burnished by hand and consequently there may be evidence of polishing marks on the metal surface.
- The metals used are pure metals and as such may have some minute characteristic etchings in the surface.



Care instructions:

Unwaxed Brass:

Clean with warm soapy water and a nonabrasive cloth and dry immediately after use. Avoid dripping taps, sharp objects, the use of abrasive products and harsh chemicals. If the item has not been waxed, maintain the polished finish with the use of Autosol metal cleaner in accordance with the manufacturer's instructions as and when required.

Waxed Brass:

Clean with warm soapy water and a nonabrasive cloth and dry immediately after use. Avoid dripping taps, sharp objects, the use of abrasive products and harsh chemicals. To maintain the waxed finish reapply a suitable wax every 4-6 weeks following the manufacturer's instructions.

Hurlingham 5 Year Guarantee Terms and Conditions

This guarantee does not affect your statutory or other legal rights and is subject to the following conditions:

1. The product was purchased from an authorised Hurlingham retailer, within the United Kingdom or Republic of Ireland.
2. The product is used in domestic applications only.
3. The guarantee applies solely to the original purchaser with proof of purchase and therefore is not transferable.
4. The bath must be available to access for the purpose of inspection, maintenance or replacement.
5. Under no circumstances do Hurlingham accept liability for any consequential loss or damage arising in the connection with any goods, material, or service supplied by Hurlingham.
6. All products should be installed and maintained in accordance with the instructions provided.
7. Repair under this guarantee does not extend the original expiry date. The guarantee on any replacement parts or product ends at the original expiry date.
8. Any part found to be defective during the guarantee period will be replaced without charge, providing that the product has been installed in accordance with the instructions given in this guide and used as the manufacturer intended.
9. If the product is no longer available, Hurlingham will endeavour to provide the nearest equivalent.

The guarantee does not cover:

10. Damage or defects caused by - General wear and tear, including special non-chrome finishes, components such as filters, seals, 'O' rings and washers - Incorrect installation - Repair using non-Hurlingham parts - Accidental or wilful misuse - Corrosion and the use of inappropriate cleaning products. - System debris including the build-up of limescale, which can be controlled through regular servicing and maintenance
11. Compensation for loss of use of the product or consequential loss of any kind. In the interests of continuous product improvement, Hurlingham reserves the right to alter product specifications with out notice.
12. In the unlikely event that you encounter a problem with your Hurlingham bath, please contact the retailer from whom you purchased the bath. The retailer will visit and inspect the bath to advise as to whether it is due to a manufacturing fault or an installation defect. If the problem is due to a manufacturing fault, they will contact us to arrange further inspection and, if deemed to be a manufacturer's defect, a replacement product as soon as possible.