

ELVINO BATH



ELVINO BATH

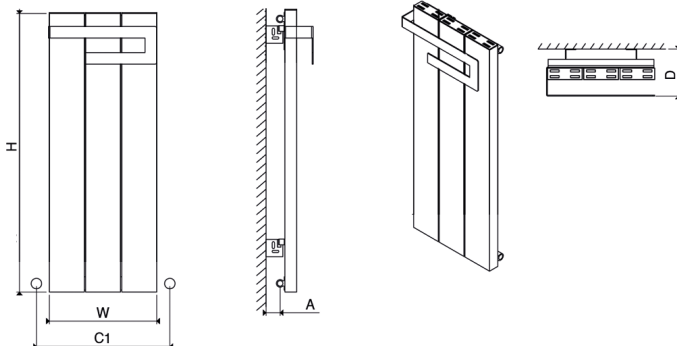
Material	Stock Finishes	Guarantee	Installation
Aluminium	PLS SEE COLOUR KEY CHART - Click for Link	5 Years	Vertical

PRODUCT CODE	Height (mm)	Width (mm)	Sections	Pipe Centers (mm)	Wall to pipe Centers	Wall Distance	Nett Weight	Water Content	Fuel Type	Heat Outputs	
	H	W	n	C1	A (mm)	D (mm)	(kg)	(lt)		Watts	BTU
ELB 0370080003	800	370	3	460	30-50	142-162	3.3	0.4	C	722	2464

Please add finishing code
at the end of the product code

Code example : ELB 0370080003 TXW

Fuel type i.e C: Central Heating
E: Electrical Heating
D: Dual Heating (C+E)



A full range of made to order sizes available.

Please ask for details.

Radiator width for made to order sizes (n x 125) - 5 mm

n = number of sections

Max. working pressure 10 bar

Max. working temperature 95 °C

Connections ½"

Section width 120 mm

Section depth 70 mm

Pipe center C1 W + 90 mm