

DUBLIN



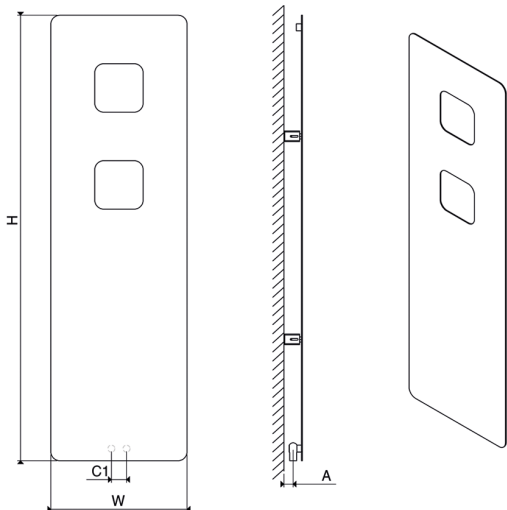
DUBLIN

Material	Stock Finishes	Guarantee	Installation
Mild Steel	PLS SEE COLOUR KEY CHART - Click for Link	5 Years	Vertical

PRODUCT CODE	Height (mm)	Width (mm)	Sections n	Pipe Centers (mm) C1	Wall to pipe Centers	Wall Distance	Nett Weight (kg)	Water Content (lt)	Fuel Type	Heat Outputs	
	H	W			A (mm)	D (mm)				Watts	BTU
DUB 04500450	450	450	-	50	31-51	61-81	5.5	0.3	C/E	317	1081
DUB 04501470	1470	450	-	50	31-51	61-81	19.0	1.1	C/E	1097	3741
DUB 04501790	1790	450	-	50	31-51	61-81	22.6	1.3	C/E	1304	4447

Please add finishing code at the end of the product code **Code example : DUB 04500450 TXB**

Fuel type i.e. C: Central heating
E: Electrical heating
D: Dual heating (C+E)



Max. working pressure	5 bar
Max. working temperature	95 °C
Connections	½"
Pipe center	C1 50 mm

Please specify C or E with your order.
D is not available.

