

CROYDON



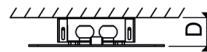
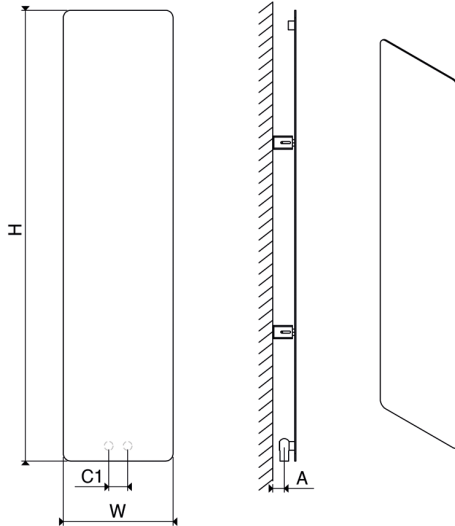
CROYDON

Material	Stock Finishes	Guarantee	Installation
Mild Steel	PLS SEE COLOUR KEY CHART - Click for Link	5 Years	Vertical

PRODUCT CODE	Height (mm) H	Width (mm) W	Sections n	Pipe Centers (mm) C1	Wall to pipe Centers		Nett Weight (kg)	Water Content (lt)	Fuel Type	Heat Outputs	
					A (mm)	D (mm)				Watts	BTU
CRO 02900790	790	290	-	50	31-51	61-81	7.1	0.4	C/E	410	1398
CRO 02900990	990	290	-	50	31-51	61-81	9.0	0.5	C/E	519	1770
CRO 02901190	1190	290	-	50	31-51	61-81	10.7	0.6	C/E	618	2107
CRO 02901790	1790	290	-	50	31-51	61-81	16,1	0.9	C/E	929	3168

Please add finishing code at the end of the product code **Code example : CRO 02901190 TXB**

Fuel type i.e., C: Central heating
E: Electrical heating
D: Dual heating (C+E)



Max. working pressure	5 bar
Max. working temperature	95 °C
Connections	½"
Pipe center	C1 50 mm

Please specify C or E with your order.
D is not available.