

# CASTOR



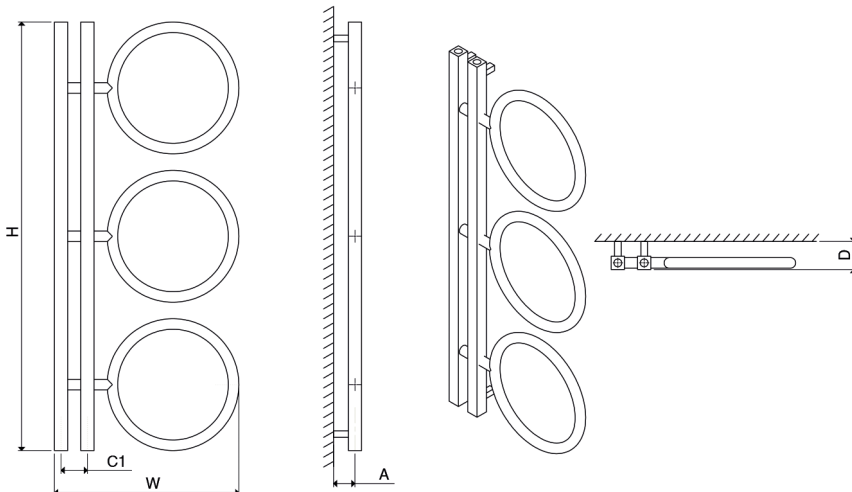
# CASTOR

| Material        | Stock Finishes  | Guarantee | Installation |
|-----------------|---|-----------|--------------|
| Stainless Steel | <a href="#">PLS SEE COLOUR KEY CHART - Click for Link</a> | 20 Years  | Vertical     |

| PRODUCT CODE   | Height (mm)<br>H | Width (mm)<br>W | Sections<br>n | Pipe Centers (mm)<br>C1 | Wall to pipe Centers<br>A (mm) | Wall Distance<br>D (mm) | Nett Weight (kg) | Water Content (lt) | Fuel Type | Heat Outputs |      |
|----------------|------------------|-----------------|---------------|-------------------------|--------------------------------|-------------------------|------------------|--------------------|-----------|--------------|------|
|                |                  |                 |               |                         |                                |                         |                  |                    |           | Watts        | BTU  |
| CAS 0560085002 | 850              | 560             | 2             | 80                      | 60-75                          | 75-90                   | 4.2              | 2.3                | D         | 411          | 1403 |
| CAS 0560130003 | 1300             | 560             | 3             | 80                      | 60-75                          | 75-90                   | 5.2              | 2.8                | D         | 427          | 1457 |
| CAS 0560175004 | 1750             | 560             | 4             | 80                      | 60-75                          | 75-90                   | 6.2              | 3.2                | D         | 756          | 2578 |

Please add finishing code at the end of the product code **Code example : CAS 0560085002 MRP**

Fuel type i.e  
 C: Central Heating  
 E: Electrical Heating  
 D: Dual Heating (C+E)



A full range of made to order sizes available.

Please ask for details.

n = number of sections

Max. working pressure

10 bar

Max. working temperature

95 °C

Connections

½"

Pipe center

C1

80 mm