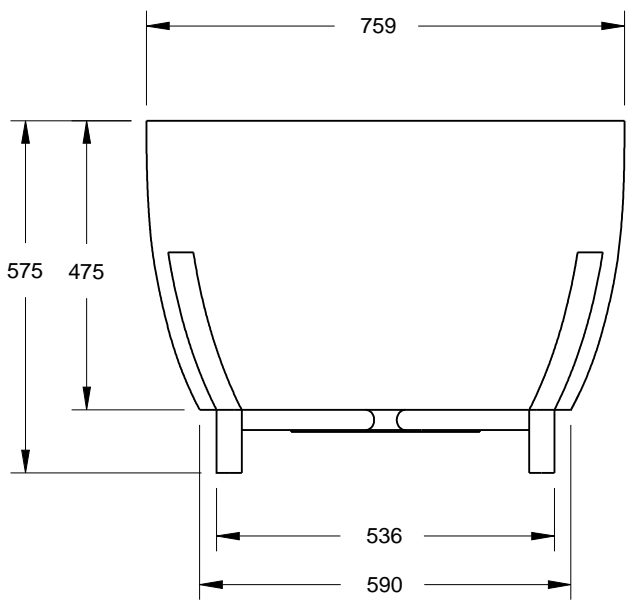
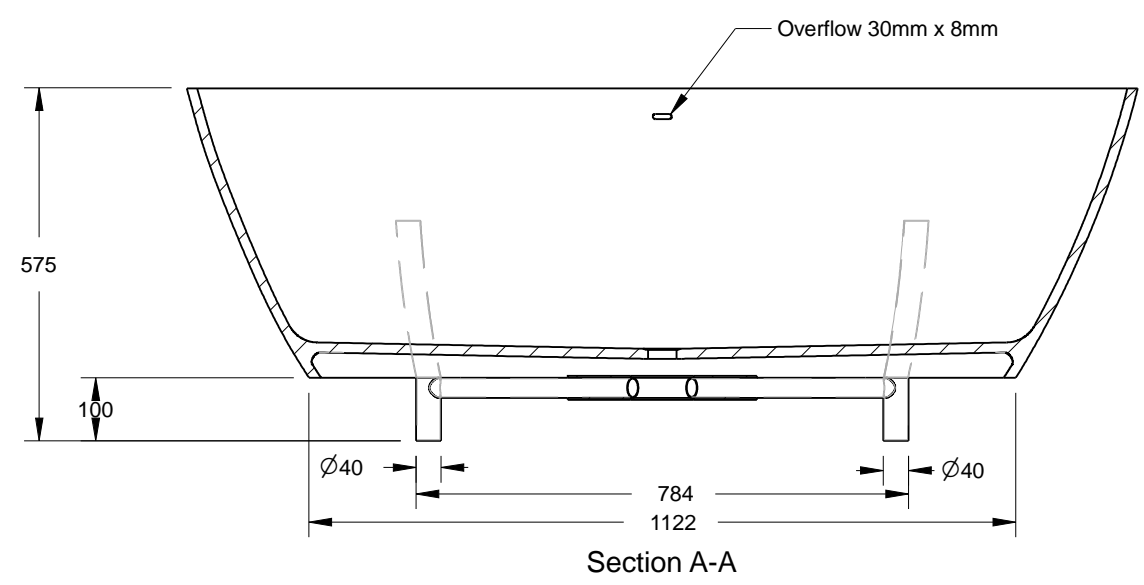
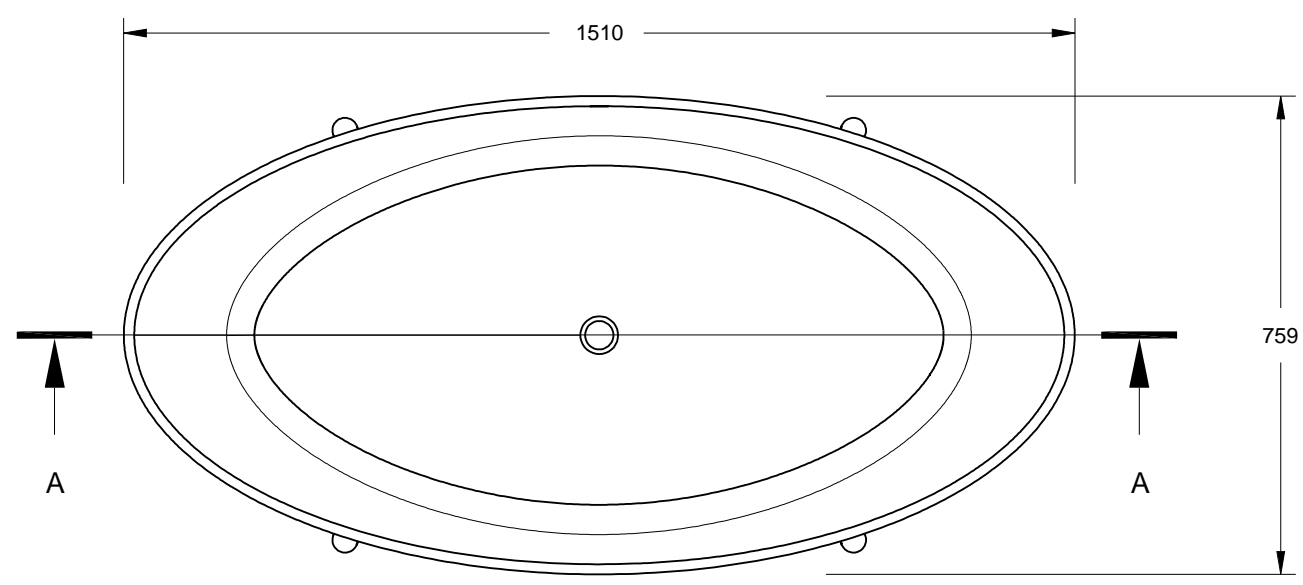


USED ON	NEXT HIGHER ASSEMBLY
-	-



				SCALE:		<p>DO NOT SCALE, USE DIMENSIONS. ALL DIMENSIONS ARE IN mm</p> <p style="text-align: center;">RESTRICTED</p>			MATL:	WEIGHT = 82kg							
				1:12 ON A3					FINAL APPR			TITLE:	ESSEX BATH				
									APPROVED								
									APPROVED								
								CHECKED				CAD No:	DRAWING No:				
								DRAWN	FVK	23/12/2018				1 / 1	Rev:	-	
									Updated dimensions & Included Overflow								
									PARTICULARS				ECP No.				