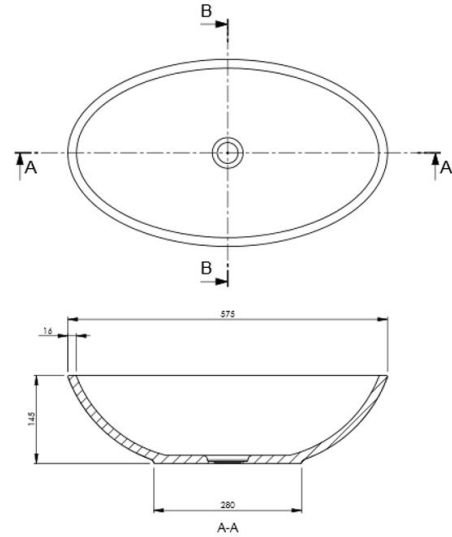


CUSTOMER SPECIFICATION SHEET - BASINS

CODE: BAB110

DESCRIPTION: Tasse/Gio Basin

CATEGORY: Basins



PRODUCT DIMENSIONS

Height (mm)	Width (mm)	Length (mm)	Depth (mm)	Nett Wgt Kg
145	345	575		

PACKAGING DIMENSIONS

Length (mm)	Width (mm)	Depth (mm)	Gross Wgt Kg
530	390	210	7.9

PACKAGING DATA

Box Colour	Brown Cardboard Box		
Box Qty	1	Label Colour	White Label
Label Size	100 x 50	Label Qty	2

OUTER BOX DIMENSIONS (If Applicable)

Height (mm)	Width (mm)	Length (mm)	Depth (mm)	Gross Wgt Kg
Barcode				

PRODUCT DETAILS

Country of Origin	South Africa	CE Certification	N/A
Product Material	Cian Solid Surface	Colour/Finish	White Polished