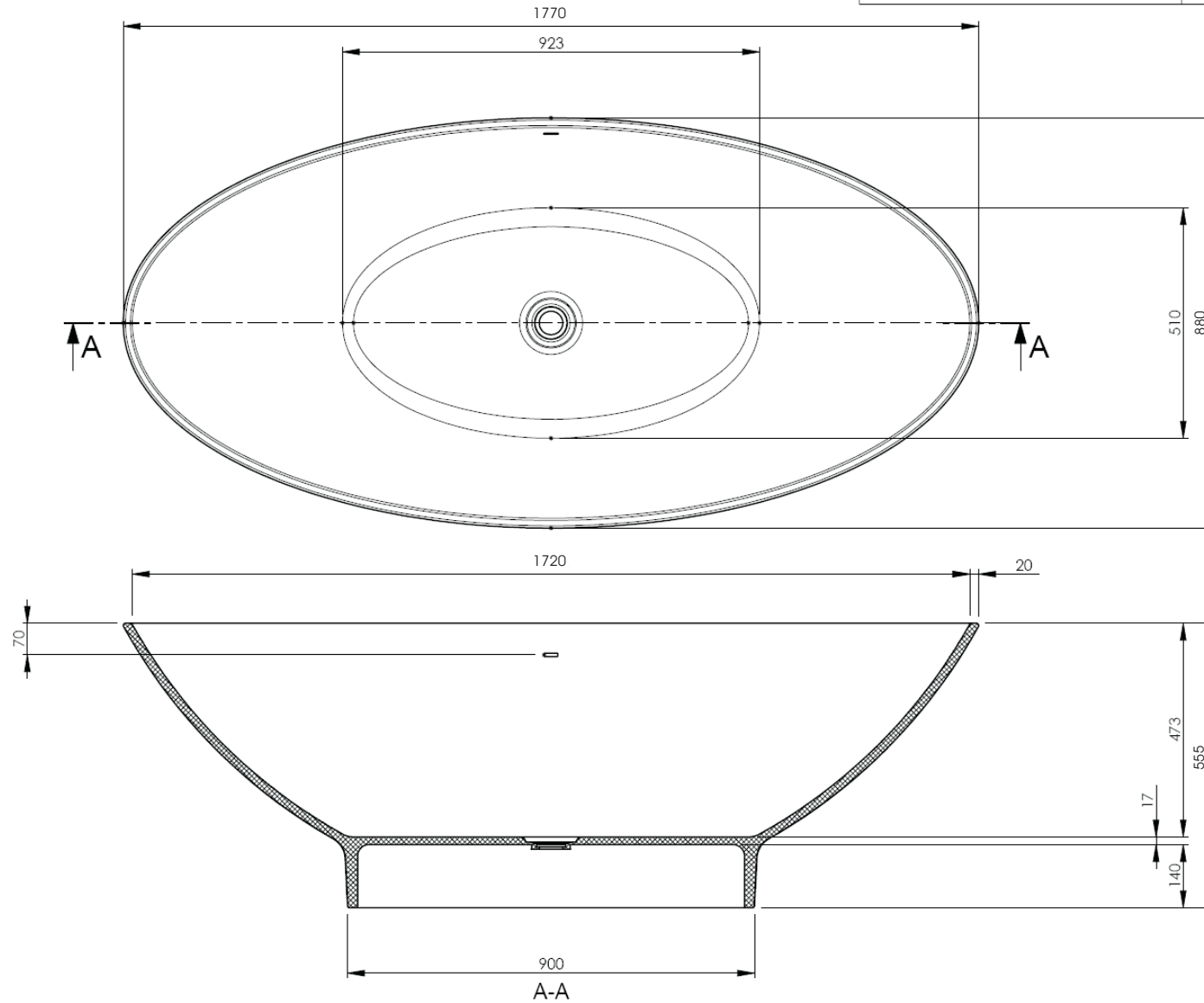


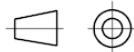
USED ON

NEXT HIGHER ASSEMBLY



SCALE:

1:10 ON A3



DO NOT SCALE, USE DIMENSIONS.
ALL DIMENSIONS ARE IN mm

RESTRICTED

MATL:

WEIGHT = 106 kg

TITLE:

TASSE BATH

SUB TITLE:

THINN RANGE

CAD No:
BB-00244-001-A

DRAWING No:

1/1 Rev: -

From
bc designs
0044(0)1206 827100

REV	DRAWN	DATE	RELEASED PARTICULARS	ECP No
-				