

# ADAGIO



## ADAGIO

**Material**  
Stainless Steel

**Stock Finishes**  
PLS SEE COLOUR  
KEY CHART - [Click for Link](#)

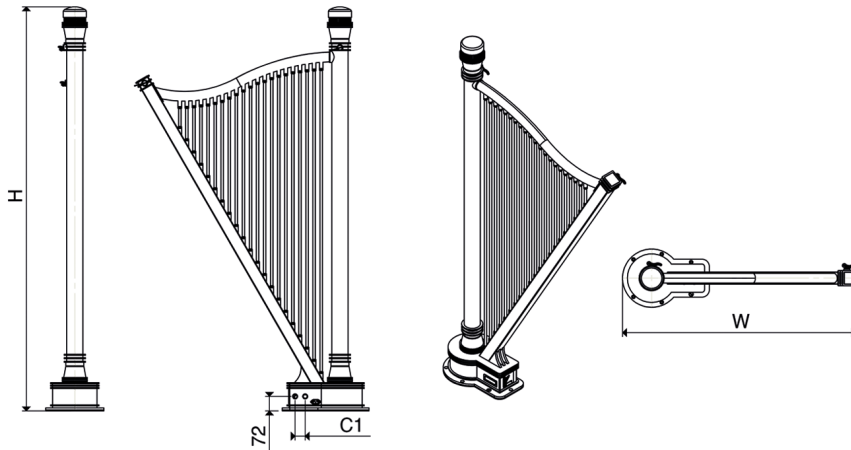
**Guarantee**  
20 Years

**Installation**

PRODUCT CODE	Height (mm) H	Width (mm) W	Sections n	Pipe Centers (mm) C1	Wall to pipe Centers A (mm)	Wall Distance D (mm)	Nett Weight (kg)	Water Content (lt)	Fuel Type	Heat Outputs	
										Watts	BTU
ADA1150200021	2000	1150	21	50	-	-	37.0	8.1	D	1097	3744

Please add finishing code at the end of the product code **Code example : ADA 1150 2000 21 STP**

Fuel type i.e  
C: Central Heating  
E: Electrical Heating  
D: Dual Heating (C+E)



Max. working pressure 10 bar  
Max. working temperature 95 °C  
Connections ½"  
Pipe centers C1 50 mm

C1