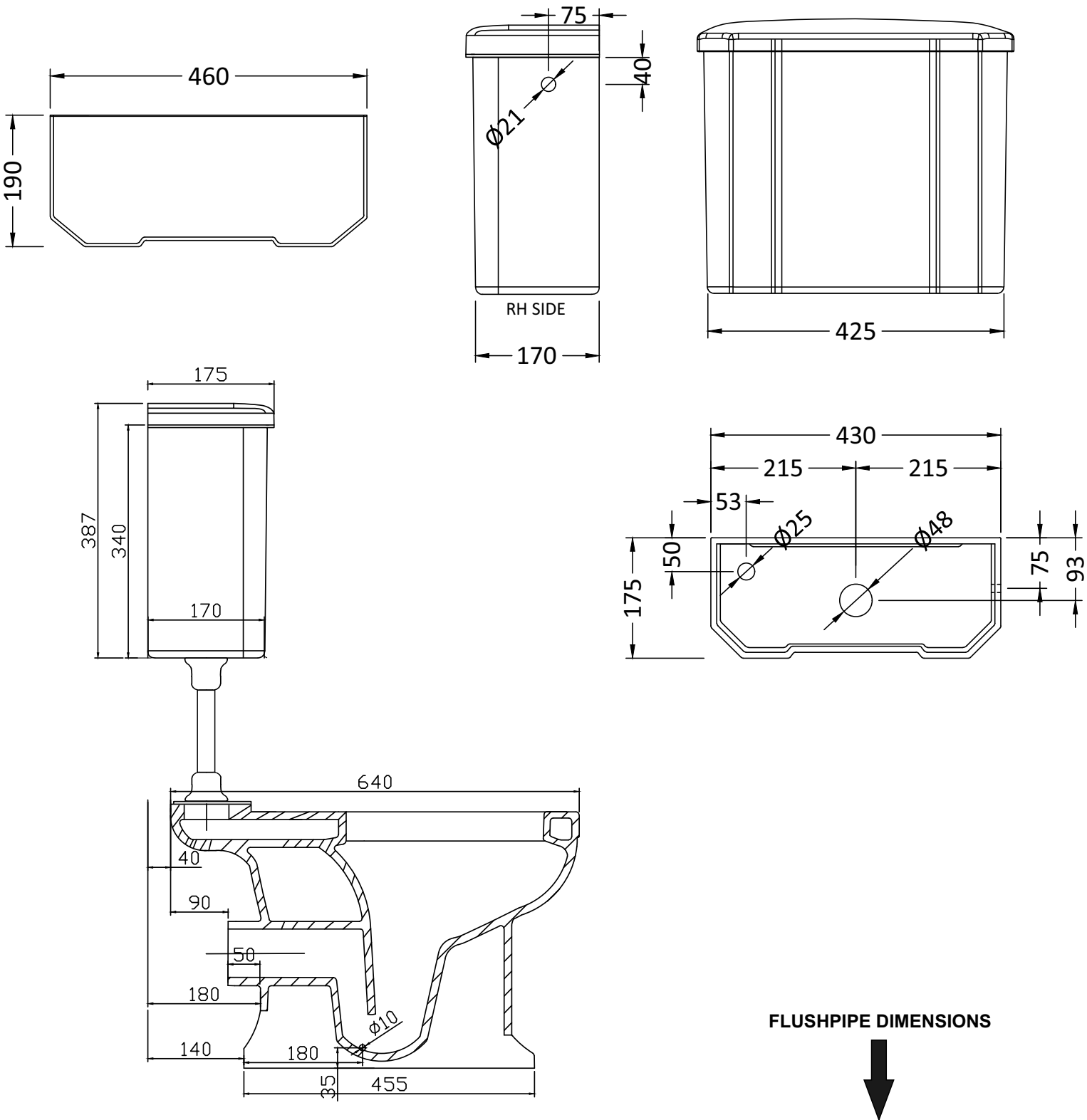


CUSTOMER SPECIFICATION SHEET - SANITARYWARE

SALES CODE:	VCCC102	DESCRIPTION:	VICTRION LOW / MEDIUM LEVEL CISTERN	CODE:	VCLC102
--------------------	---------	---------------------	-------------------------------------	--------------	---------

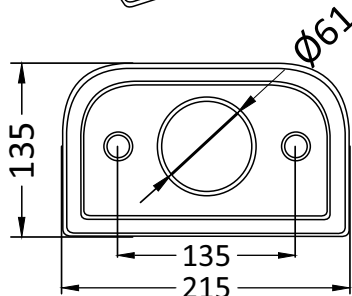
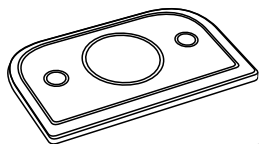
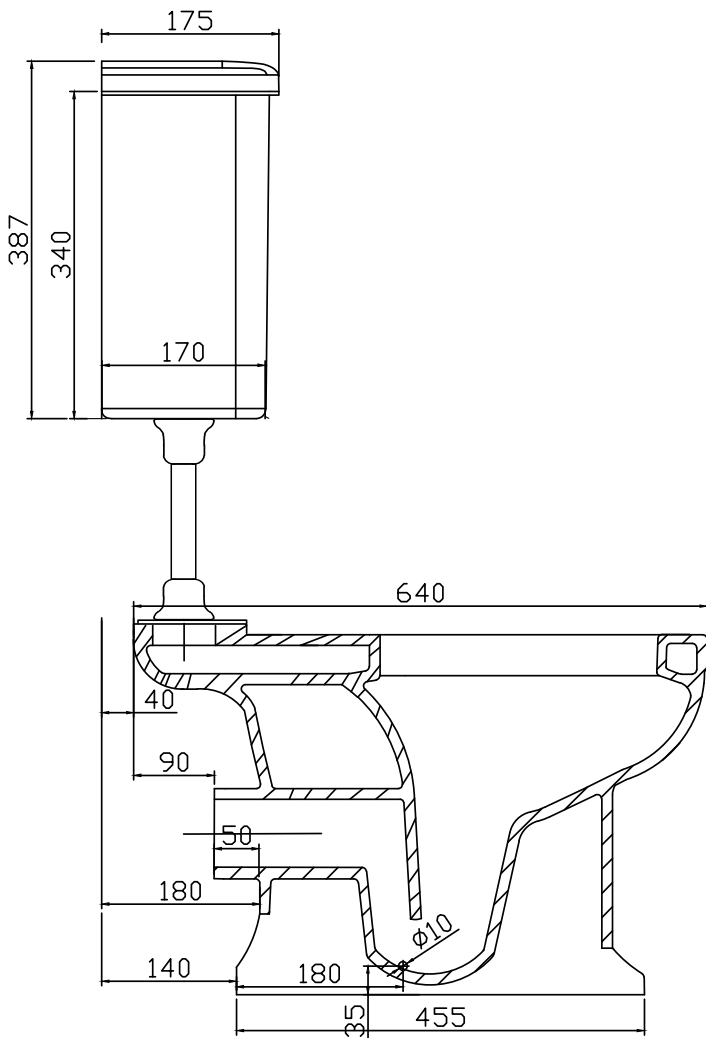
FOR USE WITH :	VICTRION UNIVERSAL CLOSE COUPLED TOILET PAN CODE: VCT001
-----------------------	--



CUSTOMER SPECIFICATION SHEET - SANITARYWARE

SALES CODE:	VCLF001PCP	DESCRIPTION:	VICTRION LOW / MEDIUM LEVEL STRAIGHT FLUSH PIPE SET
--------------------	-------------------	---------------------	--

FOR USE WITH :	VICTRION LOW / MEDIUM LEVEL CISTERN CODE: VCLC102 VICTRION UNIVERSAL CLOSE COUPLED TOILET PAN CODE: VCT001
-----------------------	---



ALTERNATIVE
 CERAMIC COVER PLATE
 CODE: VCTCO105
 (BOUGHT SEPARATELY)

