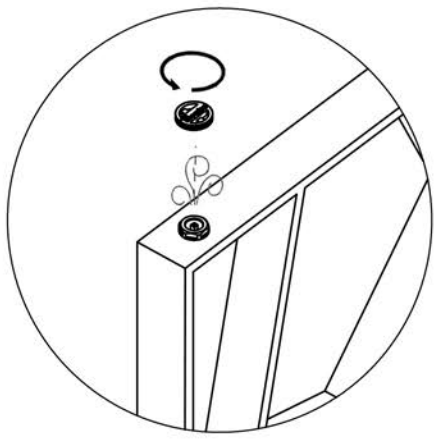


Key	Component	Qty
	<b>A</b> Bleeding Valve Key	1
	<b>B</b> Bleeding Valve 1/2"	1
	<b>C</b> Stud	4
	<b>D</b> Square Floor	2
	<b>E</b> Square Wall	2
	<b>F</b> Grub Screw	4
	<b>G</b> Screw-5,5x45mm	8
	<b>H</b> Wall Plug	8



**Assembly Instructions**

Use Carisa bleeding valve key (A) to turn bleeding valve (B) on final installation.

Use bleeding valve key (A) to turn bleeding valve (B) on final installation.

Assemble the 4 Studs (C) on radiator.

Fit the studs into the floor and wall mounting brackets (D & E)

Fix the brackets and studs by grub screw (G)

Accurately mark out floor bracket holes on floor and wall bracket holes on wall.

Drill 4 (Ø8mm) holes for floor mounting brackets (D) and 4 (Ø8mm) holes for wall mounting brackets (E)

Place the wall plugs (H) into the holes.

Screw the mounting brackets using by 8 screws (G).