

PRODUCT DATASHEET

Nerola Back to Wall Toilet set Comfort height

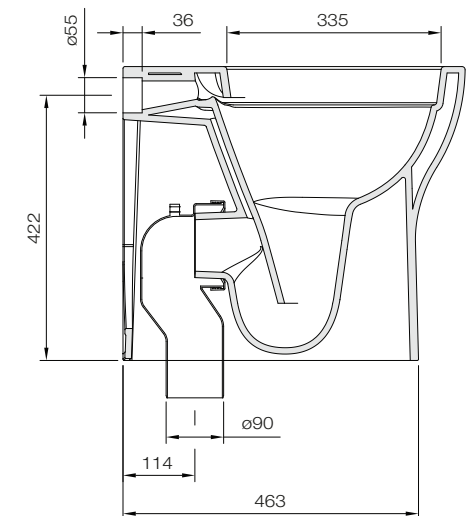
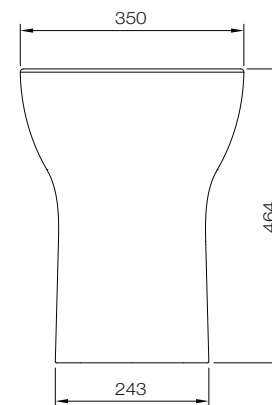
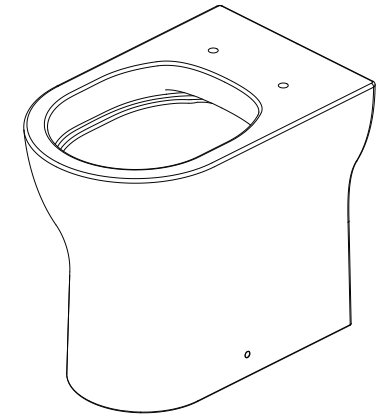
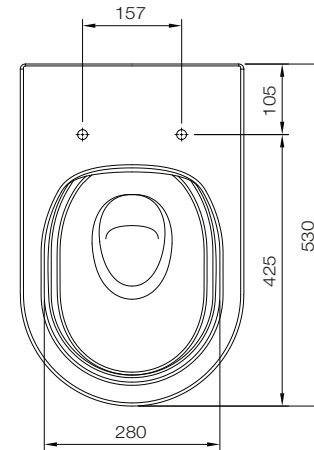
tissino

Designed to Inspire
Made to Experience



A sleek yet higher back-to-wall toilet set, available with a range of coloured fittings.

TECHNICAL DRAWING



PRODUCT DETAILS

Finishes	Pan	Gloss white ceramic
	Seat hinges & Flush button	Chrome, Matt Black, Brushed Brass
Dimensions	Height	464 mm
	Width	350 mm
	Depth	530 mm
Material	Glazed ceramic	
Waste connection	Ø 100 mm	
Weight	28.1 kg	
Warranty	Lifetime	
Codes		
Wrapover seat	Chrome fittings	TNE-212-CP
	Matt Black fittings	TNE-212-MN
	Brushed Brass fittings	TNE-212-BB
Slimline seat	Chrome fittings	TNE-312-CP
	Matt Black fittings	TNE-312-MN
	Brushed Brass fittings	TNE-312-BB

See separate datasheet for information on seat options and concealed cisterns

tissino

Lyncastle Road, Appleton Thorn, Warrington WA4 4SN

info@tissino.co.uk

+44 (0) 345 582 8000

tissino.co.uk



YOUR BATHROOM
MADE BEAUTIFUL

