

PRODUCT DATASHEET

Nerola Close-Coupled Toilet set

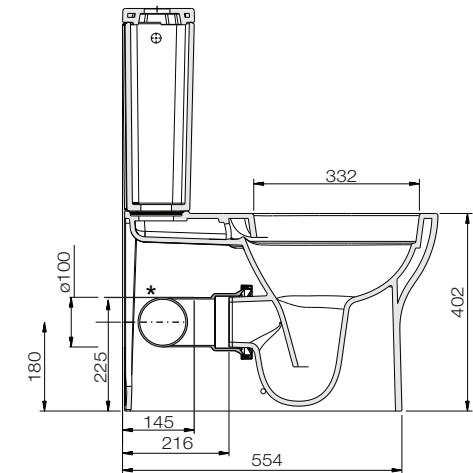
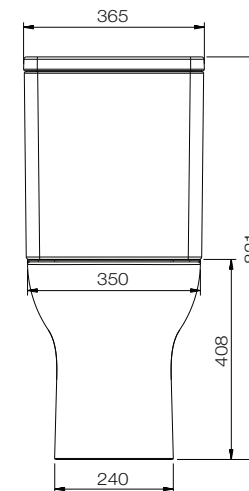
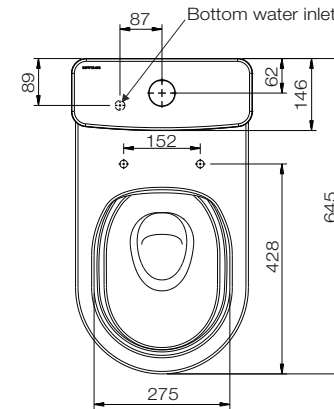
tissino

Designed to Inspire
Made to Experience



A sleek and minimalist close-coupled toilet set, with a side waste connection, available with a range of coloured fittings.

TECHNICAL DRAWING



PRODUCT DETAILS

Finishes	Pan	Gloss white ceramic
	Cistern	Gloss white ceramic
	Seat hinges & Flush button	Chrome, Matt Black, Brushed Brass
Dimensions	Height	821 mm
	Width	365 mm
	Depth	645 mm
Material	Glazed ceramic	
Water connection	1/2" BSP male	
Waste connection	Ø 100 mm	Right-hand cut out
Weight	37 kg	
Warranty	Lifetime	
Codes		
Wrapover seat	Chrome fittings	TNE-206-CP
	Matt Black fittings	TNE-206-MN
	Brushed Brass fittings	TNE-206-BB
Slimline seat	Chrome fittings	TNE-306-CP
	Matt Black fittings	TNE-306-MN
	Brushed Brass fittings	TNE-306-BB

See separate datasheet for information on seat options and concealed cisterns

tissino

Lyncastle Road, Appleton Thorn, Warrington WA4 4SN

info@tissino.co.uk

+44 (0) 345 582 8000

tissino.co.uk



YOUR BATHROOM
MADE BEAUTIFUL

