

# PRODUCT DATASHEET

TCE-275

Cedro circular backlit mirror

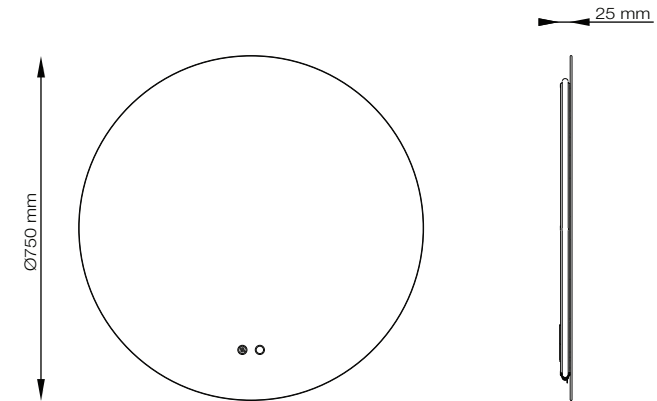
**tissino**

Designed to Inspire  
Made to Experience

## TECHNICAL DRAWING

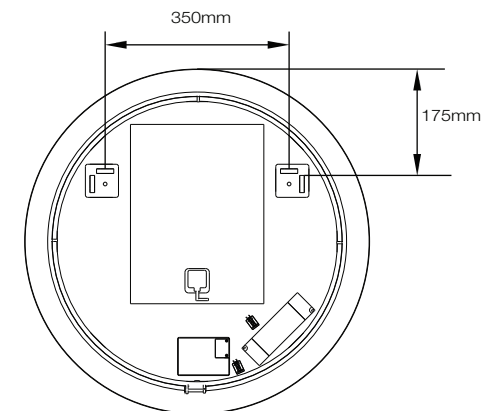


A circular backlit mirror with double touch controls and de-mister.



## PRODUCT DETAILS

<b>Finishes</b>	Mirrored glass, frameless	
<b>Lighting</b>	Type	LED glow strip behind glass
	Colour temperature rating	4000K Neutral white
<b>Switch type</b>	Touch switch	
<b>Dimensions</b>	Width	750 mm
	Depth	25 mm
<b>Voltage</b>	220 ~ 240V AC; 50/60Hz	
<b>LED Power</b>	30W	
<b>De-mister power</b>	22W	
<b>IP rating</b>	IP44	
<b>Weight</b>	7.6 kg	
<b>Warranty</b>	2 years	
<b>Code</b>	TCE-275	



**tissino**

Lyncastle Road, Appleton Thorn, Warrington WA4 4SN

info@tissino.co.uk

+44 (0) 345 582 8000

tissino.co.uk



YOUR BATHROOM  
MADE BEAUTIFUL

