

PRODUCT DATASHEET

TCE-260

Cedro circular backlit mirror

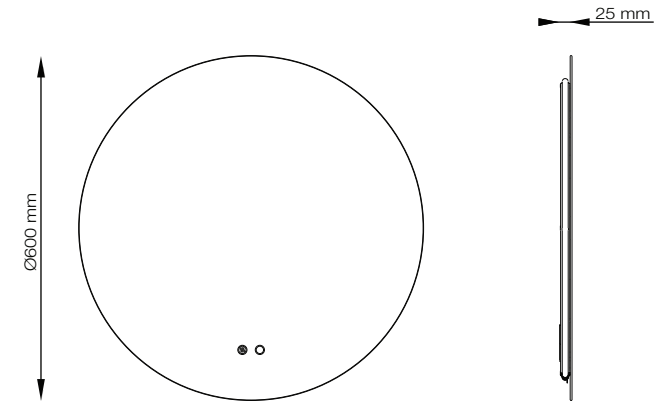
tissino

Designed to Inspire
Made to Experience

TECHNICAL DRAWING

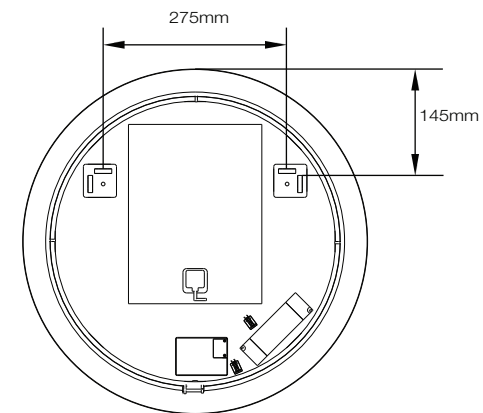


A circular backlit mirror with double touch controls and de-mister.



PRODUCT DETAILS

Finishes	Mirrored glass, frameless	
Lighting	Type	LED glow strip behind glass
	Colour temperature rating	4000K Neutral white
Switch type	Touch switch	
Dimensions	Width	600 mm
	Depth	25 mm
Voltage	220 ~ 240V AC; 50/60Hz	
LED Power	20W	
De-mister power	12W	
IP rating	IP44	
Weight	4.7 kg	
Warranty	2 years	
Code	TCE-260	



tissino

Lyncastle Road, Appleton Thorn, Warrington WA4 4SN

info@tissino.co.uk

+44 (0) 345 582 8000

tissino.co.uk



YOUR BATHROOM
MADE BEAUTIFUL

