

PRODUCT DATASHEET

TCE-160

Cedro Backlit mirror

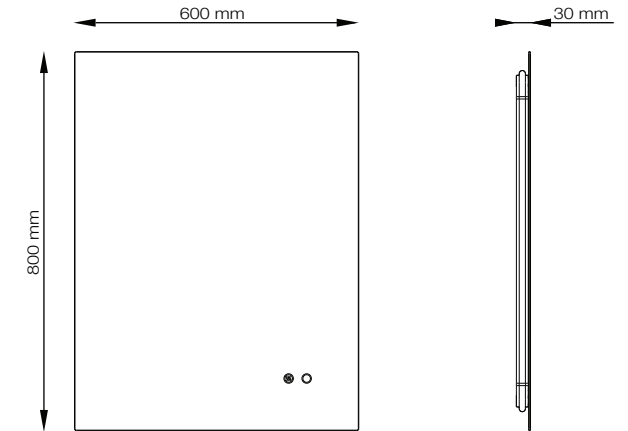
TISSINO

Designed to Inspire
Made to Experience



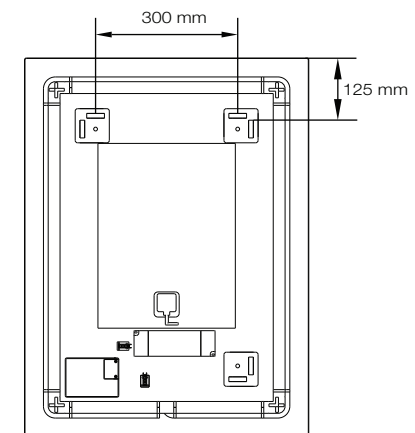
A backlit mirror with double-touch controls and de-mister.

TECHNICAL DRAWING



PRODUCT DETAILS

| | | |
|------------------------|---------------------------|-----------------------------|
| Finishes | Mirrored glass, frameless | |
| Lighting | Type | LED glow strip behind glass |
| | Colour temperature rating | 4000K Neutral white |
| Switch type | Touch switch | |
| Dimensions | Height | 800mm |
| | Width | 600mm |
| | Depth | 30mm |
| Voltage | 220 ~ 240V AC; 50/60Hz | |
| LED Power | 30W | |
| De-mister power | 22W | |
| IP rating | IP44 | |
| Weight | 5.6 kg | |
| Warranty | 2 years | |
| Code | TCE-160 | |



TISSINO

Lyncastle Road, Appleton Thorn, Warrington WA4 4SN

info@tissino.co.uk

+44 (0) 345 582 8000

tissino.co.uk



YOUR BATHROOM
MADE BEAUTIFUL

