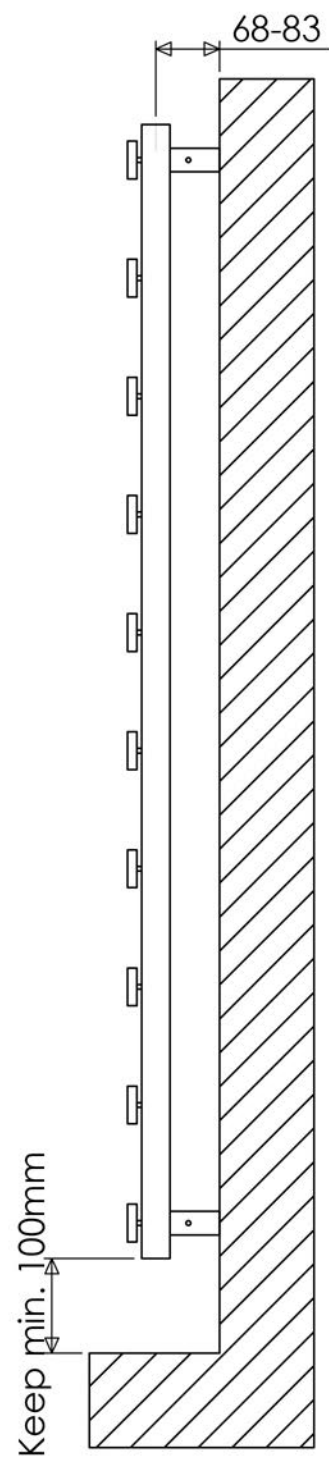
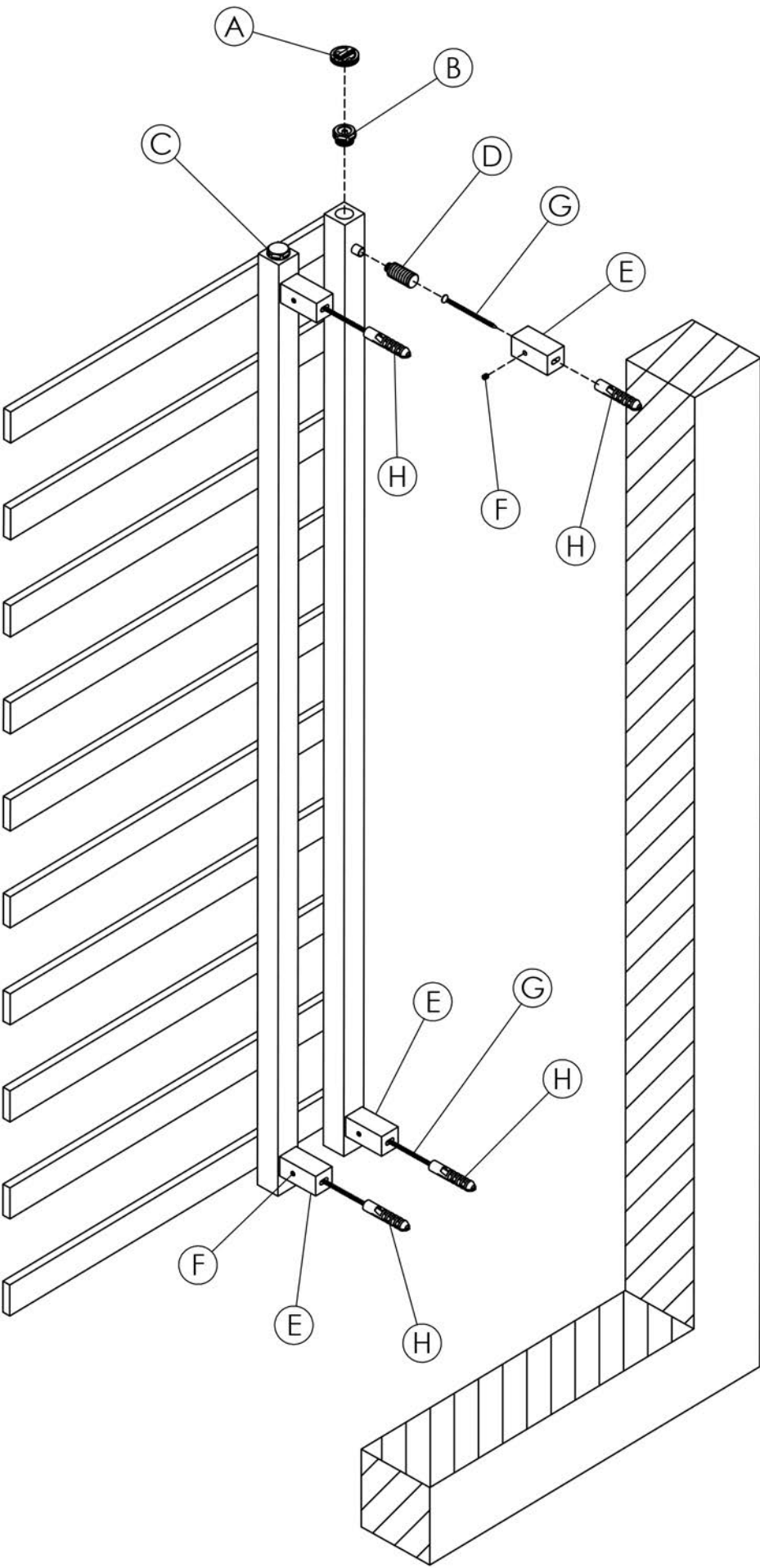
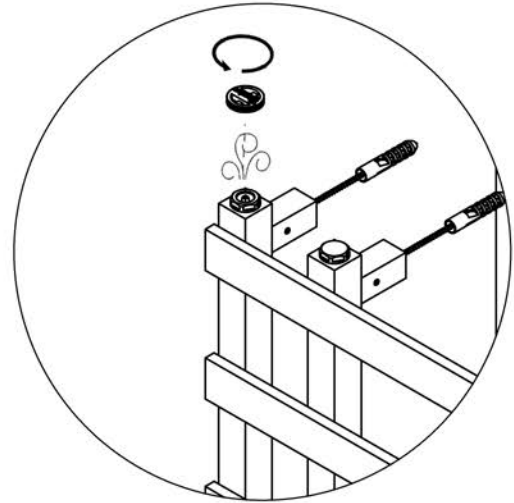


when using  
Carisa radiator  
valves





Key	Component	Qty
	<b>A</b> Bleeding Valve Key	1
	<b>B</b> Bleeding Valve 1/2"	1
	<b>C</b> Blind Tap	1
	<b>D</b> Stud	4
	<b>E</b> Square Wall	4
	<b>F</b> Grub Screw	4
	<b>G</b> Screw-5,5x45mm	4
	<b>H</b> Wall Plug	4



**Assembly Instructions**

- Fit bleeding valve (B) & blind tap (C).
- Use Carisa bleeding valve key (A) to turn bleeding valve on final installation(B).
- Accurately mark out bracket holes on wall using spirit level.
- Drill four 8mm hole for each brackets (E).
- Screw brackets (E) into wall plugs (H) with 5,5mm diameter x 45mm screws (G).
- Assemble the studs (D) into the holes which on back of the collector.
- Hang radiator by centering the studs (D) into the brackets (E).
- Secure the stud (D) with the grub screw (F) after setting wall distance.